

All information contained in this manual is based on the latest product information at the time of publication. Bajaj Auto Limited accepts no liability for any inaccuracies or omissions in this publication, although every possible care has been taken to make it as complete and accurate as possible. All procedures and specifications subject to change without prior notice. The right is reserved to make such changes at any time without prior notice and without incurring an obligation to make such changes to product manufactured previously. Contact your authorized Bajaj Dealer for the latest information on product improvements incorporated after this manual was issued.

DOC. NO.: 71112800

REV. 00, AUG. 2018

We have pleasure in presenting the Spare Parts Catalogue for '**BAJAJ Maxima Z & Maxima WB- 4S BS4** Vehicles. This catalogue has been specially designed to assist you in selecting the correct parts to maintain your vehicle in best running condition.

The Bajaj spares are subjected to the stringent quality control standards to ensure longer life of the vehicle. It is therefore necessary that only the Genuine Bajaj Spares are used.

In a continual effort to improve performance & efficiency of the vehicle, Specifications, Diagrams, Illustrations and Part Numbers can change without notice. Consequently, the description in this Spare Parts Catalogue cannot therefore be final and binding on us.

The modifications / alterations which are carried out after the issue of this catalogue, will be conveyed to you through our service circulars. You are requested to make necessary corrections in the parts catalogues as per the circulars so as to keep your catalogues up to date. This will ensure the appropriate and speedy delivery of the spare parts as the order placed will bear the latest part numbers.

For latest information of serviceable spares, refer catalogue on dealer portal.

In case, if you need any technical assistance contact the concerned Regional Office or write to us on the following address :

Service Department
Bajaj Auto Ltd.
Akurdi, Pune 411 035 India
Phone : 020-66106104
E-mail : service@bajajauto.co.in

Instructions for using the Catalogue

4Stroke- BS4
(236 cc)

1. How to Read the Catalogue : Open the catalogue and from the pictorial index locate the group in which the part you want to find is present. Turn over to the concerned page number (as given by pictorial index). Now find out the figure of the part you wish to order. Write down the part number against that particular figure number from the text.

In case, if you have the part number and you need the other details, the part index can be used. The part index (at the end of the catalogue) will give you the figure and page number of the part you wish to order.

2. How to Order Spare Parts : The part number and the description of the part required should be invariably mentioned in the order as per the catalogue text.

The latest part number as conveyed through our service circulars should only appear on the order. In case of ordering painted components, colour shade of the components should be mentioned.

The quantity shown against the part number is the quantity per vehicle for that group so that particular quantity should be multiplied by the number of sets required.

3. Part Number System: We have used 8 digit system for part numbers. The model or hardware item is indicated by first two digits or alphanumeric, the next two or four digits indicate main group and the last four or two digits indicate serial number in main group or serial number or subgroup of fastener respectively. Thus the part numbers will be indicated by 2-2-4 or 2-4-2 digit system. Understanding this system will enable you to identify the spare parts easily.

4. Abbreviations : The following abbreviations are used in this catalogue.

R	Relaunch	O	Old
comp.	complete	NS	Not serviceable
Assly.	Assembly	N.I.	Not illustrated
Fr	Front	Alt.	Alternate
R.H.	Right hand	L.H.	Left hand

5. Abbreviations :

RA	BAJAJ Maxima Z LPG
AZ	BAJAJ Maxima Z CNG
AT	BAJAJ Maxima WB LPG
AT1	BAJAJ Maxima WB CNG

INDEX

4Stroke- BS4
(236 cc)

S.N.	Description	Page No.	S.N.	Description	Page No.
1	Engine	2	43	Tandem master cylinder	49
2	Crankcase clutch side	3	44	Brake pedal	50
3	Crank case magneto side	4	45	Hand brake- Z	51
4	Clutch cover	5,6	46	Hand brake- WB	52
5	Differential cover	7	47	Reverse brake	53
6	Cylinder / piston	8	48	Battery	54
7	Cylinder head	9	49	Handle bar	55,56
8	Rocker arm & valve	10	50	Control cables	57
9	Cam shaft and chain tensioner	11	51	Frame chassis- Z	58
10	Crank shaft	12	52	Frame chassis- WB	59
11	Main shaft	13	53	Spare wheel	60
12	Gear transmission	14	54	Harness wiring	61
13	Differential	15	55	Dashboard- Z	63,64
14	Pump assly oil	16	56	Dashboard- WB	65,66
15	Clutch complete	17	57	Windshield & wiper motor	67
16	Fare meter drive unit	18	58	Steering & head lamp cover	68
17	Gear shifter	19	59	Passenger body-Z	69,70
18	Starter motor	20	60	Doors- Z	71,72
19	Magneto,h.t coil	21	61	Passenger body- WB	73,74
20	Silencer	22	62	Seat assly- Z	75
21	Engine mounting- Z	23	63	Seat assly- WB	76
22	Engine mounting- WB	24	64	Hood frame assly- Z	77
23	Carburetor	25	65	Hood frame assly- WB	78
24	Air filter complete	26	66	Head light assly & blinkers	79
25	Pipe air intake- Z	27	67	Tail lamp	80
26	Pipe air intake- WB	28	68	Switches and horn	81
27	Petrol tank (cng/lpg)-Z	29	69	Electrical units	82
28	Petrol tank (cng/lpg)- WB	30	70	Cylinder for lpg-Z	83
29	Unit sai	31	71	Cylinder for cng- Z	84
30	Oil cooler	32	72	Cylinder for lpg- WB	85
31	CV shaft	33	73	Cylinder for cng-WB	86
32	Trailing arm/ rr sh. Abs- Z	35	74	Relay, solenoid & filler valve	87
33	Trailing arm/ rr sh. Abs- WB	36	75	Filler connector unit	88
34	Rear hub & axle - Z	37	76	1st stage reduction unit	89,90
35	Rear hub & axle- WB	38	77	Regulator	91,92
36	Fr shock absorber & linkage	39	78	Multi valve (zero deg)	93
37	Steering column	40			
38	Front brake drum	41,42			
39	Auto adjuster brake system-Z	43,44			
40	Auto adjuster brake system-WB	45,46			
41	Front mudguard	47			
42	Brake pipe	48			

Pictorial Index

4Stroke- BS4
(236 cc)

PLATE NO. : 1
ENGINE

PAGE NO.:
2

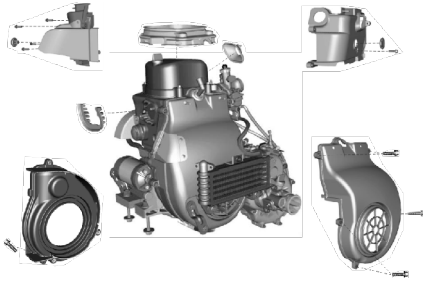


PLATE NO. : 3
CRANK CASE MAGNETO SIDE

PAGE NO.:
4

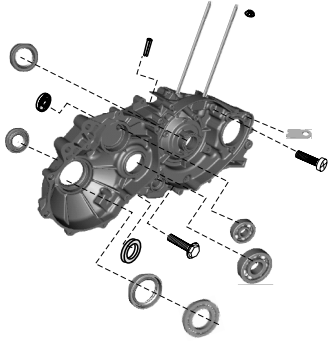


PLATE NO. : 5
DIFFERENTIAL COVER

PAGE NO.:
7

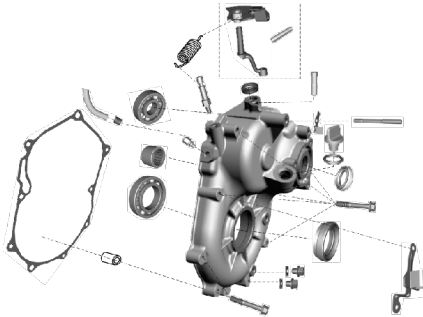


PLATE NO. : 2
CRANKCASE CLUTCH SIDE

PAGE NO.:
3

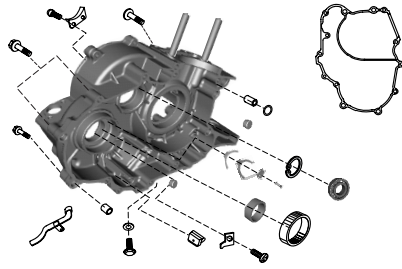


PLATE NO. : 4
CLUTCH COVER

PAGE NO.:
5,6

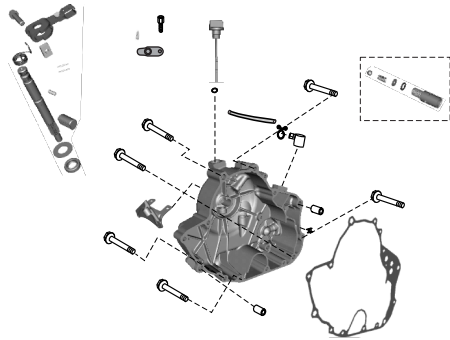
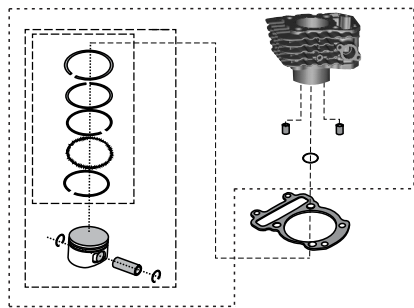


PLATE NO. : 6
CYLINDER / PISTON ASSEMBLY

PAGE NO.:
8



Pictorial Index

4Stroke- BS4
(236 cc)

PLATE NO. : 7
CYLINDER HEAD

PAGE NO.:
9

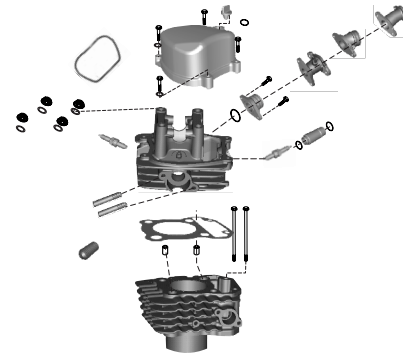


PLATE NO. : 9
CAM SHAFT AND CHAIN TENSIONER

PAGE NO.:
11

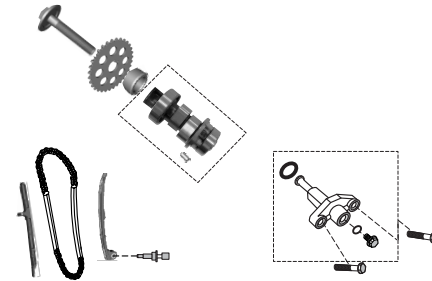


PLATE NO. : 11
MAIN SHAFT

PAGE NO.:
13

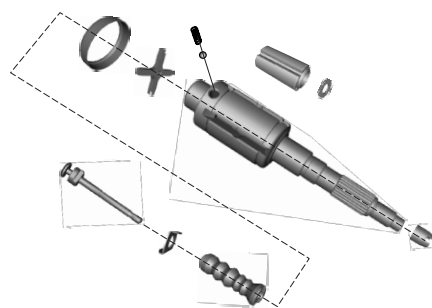


PLATE NO. : 8
ROCKER ARM ASSLY & VALVE

PAGE NO.:
10

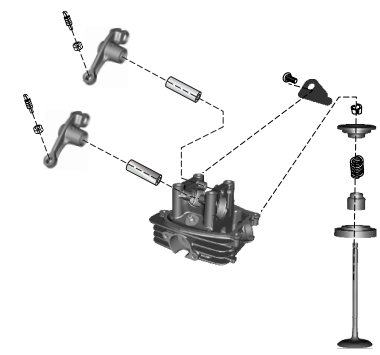


PLATE NO. : 10
CRANK SHAFT ASSEMBLY

PAGE NO.:
12

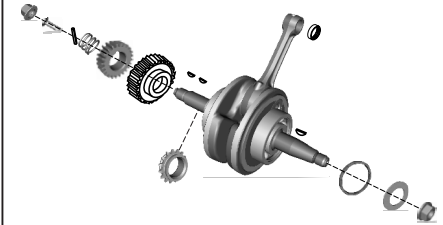
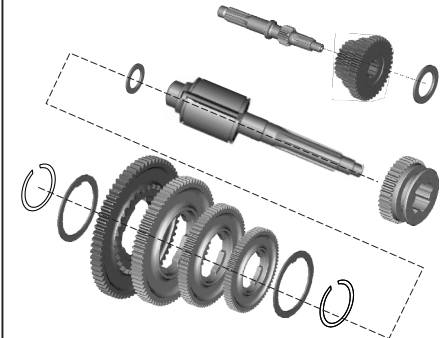


PLATE NO. : 12
GEAR TRANSMISSION

PAGE NO.:
14



Pictorial Index

4Stroke- BS4
(236 cc)

PLATE NO. : 13
DIFFERENTIAL

PAGE NO.:
15

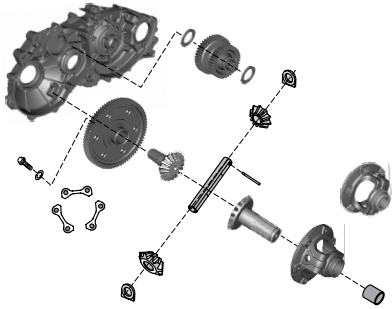


PLATE NO. : 15
CLUTCH COMPLETE ASSLY

PAGE NO.:
20

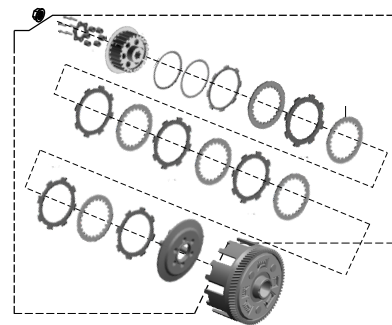


PLATE NO. : 17
GEAR SHIFTER ASSEMBLY

PAGE NO.:
19

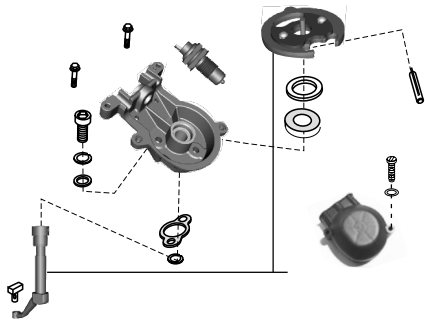


PLATE NO. : 14
PUMP ASSLY OIL

PAGE NO.:
16

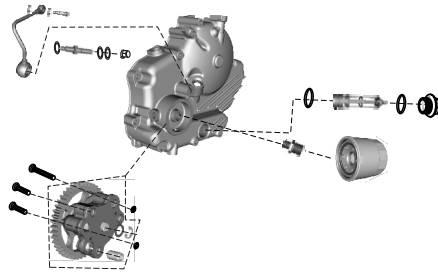


PLATE NO. : 16
FARE METER DRIVE UNIT

PAGE NO.:
21

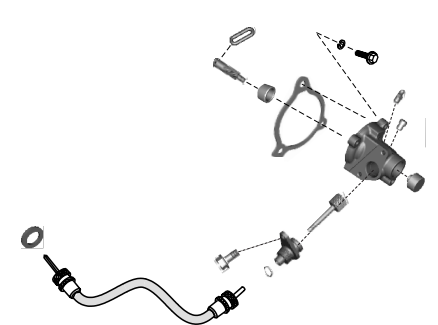
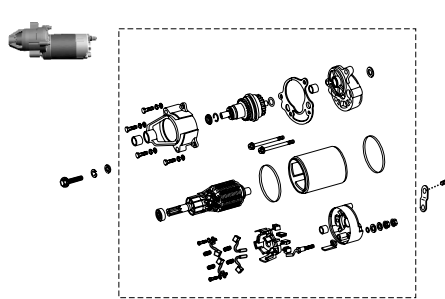


PLATE NO. : 18
STARTER MOTOR ASSLY

PAGE NO.:
20



Pictorial Index

4Stroke- BS4
(236 cc)

PLATE NO. : 19
MAGNETO ASSEMBLY & H.T. COIL

PAGE NO.:
21

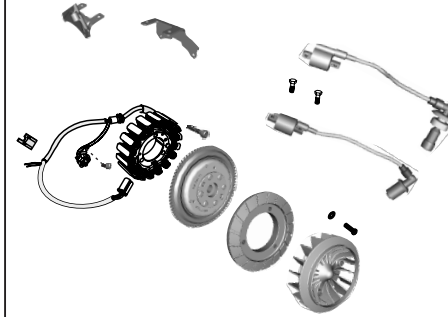


PLATE NO. : 21
ENGINE MOUNTING- Z

PAGE NO.:
23

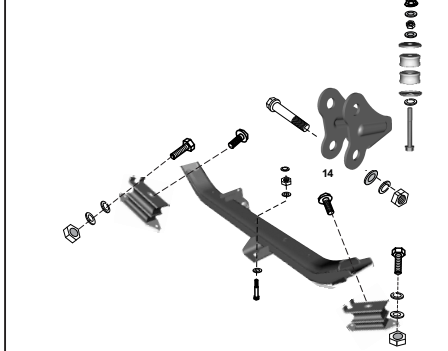


PLATE NO. : 23
CARBURETOR

PAGE NO.:
25

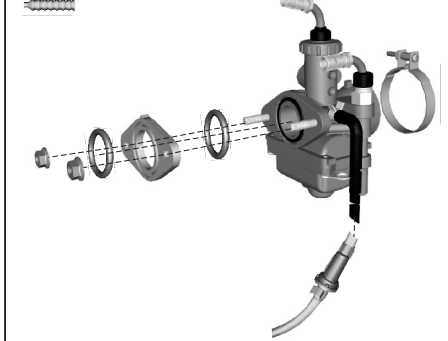


PLATE NO. : 20
SILENCER ASSEMBLY

PAGE NO.:
22



PLATE NO. : 22
ENGINE MOUNTING- WB

PAGE NO.:
24

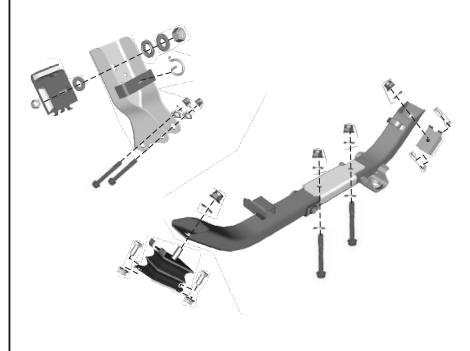
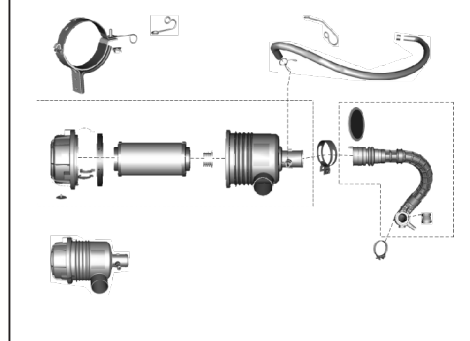


PLATE NO. : 24
AIR FILTER COMPLETE

PAGE NO.:
26



Pictorial Index

4Stroke- BS4
(236 cc)

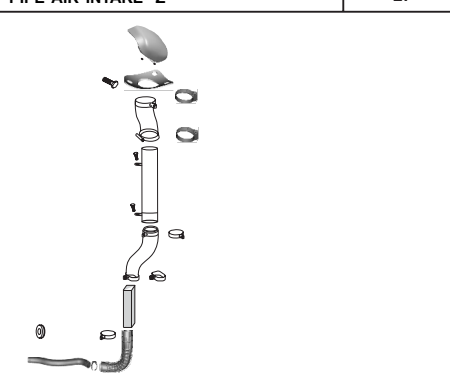
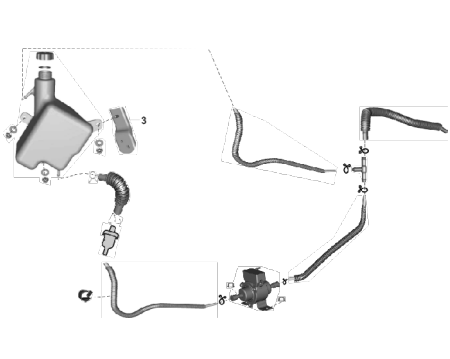
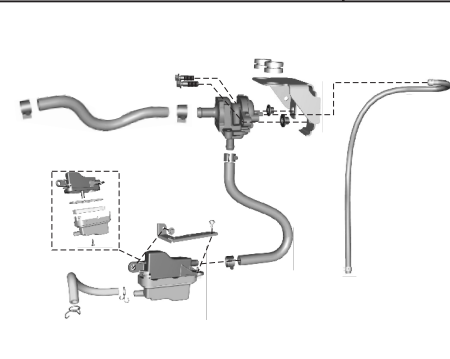
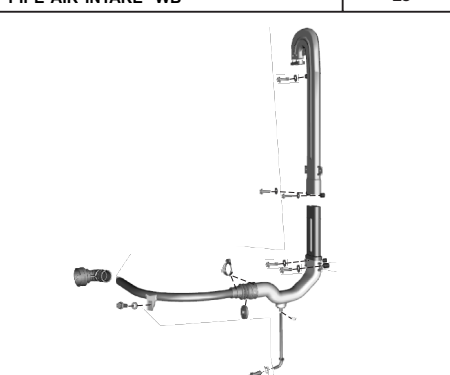
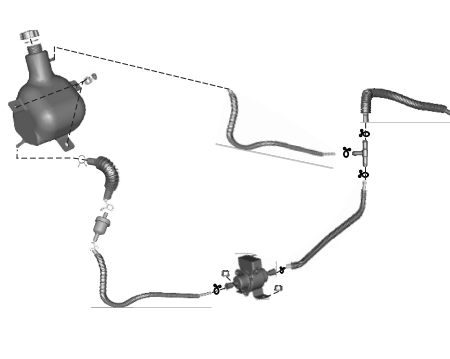
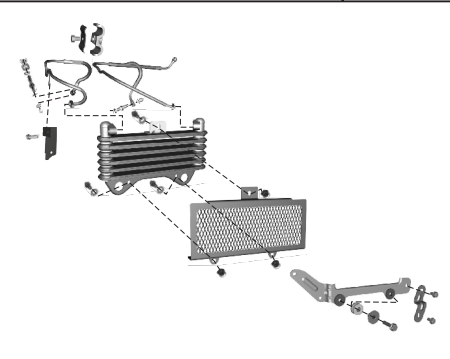
PLATE NO. : 25 PIPE AIR INTAKE- Z	PAGE NO.: 27
	
PLATE NO. : 27 PETROL TANK- Z	PAGE NO.: 29
	
PLATE NO. : 29 UNIT SAI ASSLY	PAGE NO.: 31
	

PLATE NO. : 26 PIPE AIR INTAKE- WB	PAGE NO.: 28
	
PLATE NO. : 28 PETROL TANK- WB	PAGE NO.: 30
	
PLATE NO. : 30 OIL COOLER	PAGE NO.: 32
	

Pictorial Index

4Stroke- BS4
(236 cc)

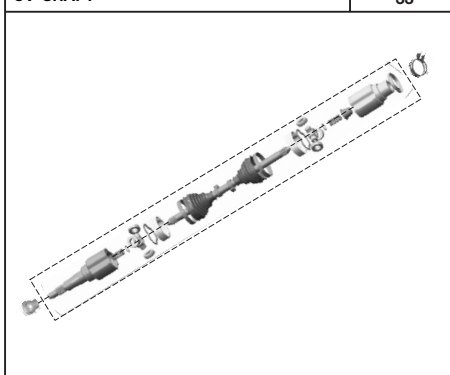
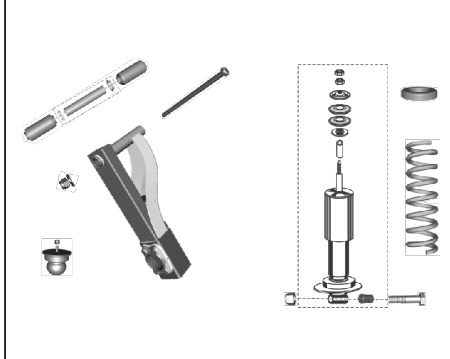
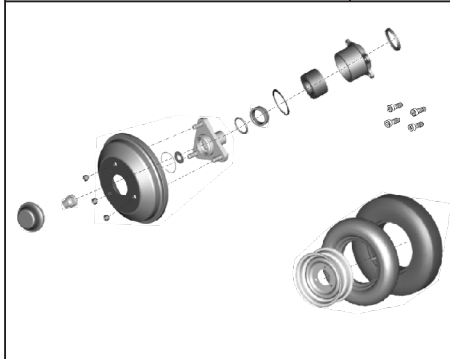
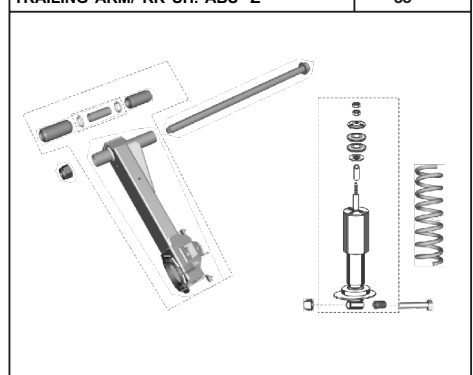
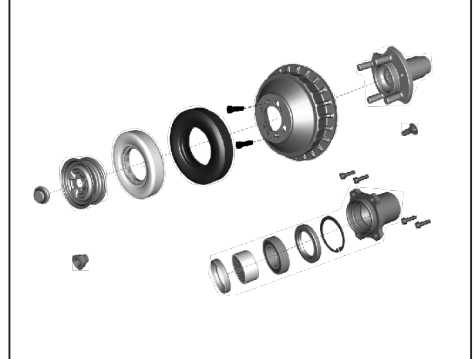
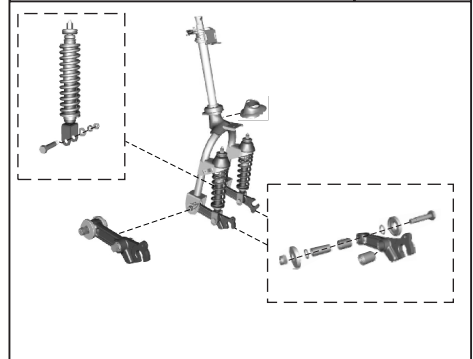
PLATE NO. : 31 CV SHAFT	PAGE NO.: 33
	
PLATE NO. : 33 TRAILING ARM/ RR SH. ABS- WB	PAGE NO.: 36
	
PLATE NO. : 35 REAR WHEEL AXLE- WB	PAGE NO.: 38
	

PLATE NO. : 32 TRAILING ARM/ RR SH. ABS- Z	PAGE NO.: 35
	
PLATE NO. : 34 REAR WHEEL AXLE- Z	PAGE NO.: 37
	
PLATE NO. : 36 FRONT SHOCK ABSORBER & LINKAGE	PAGE NO.: 39
	

Pictorial Index

4Stroke- BS4
(236 cc)

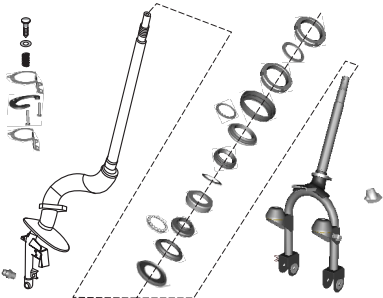
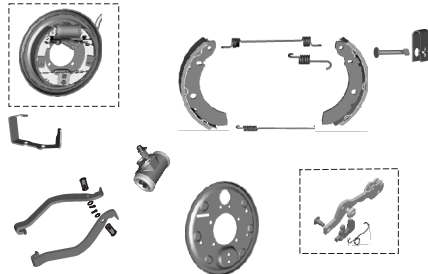
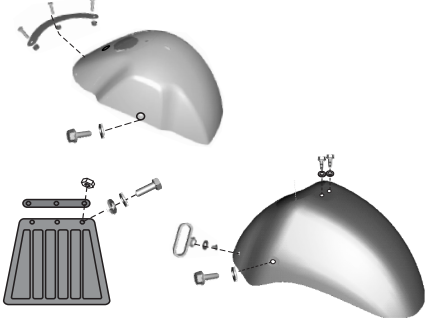
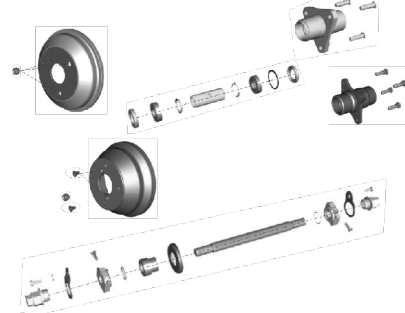
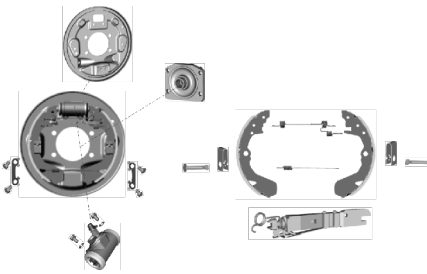
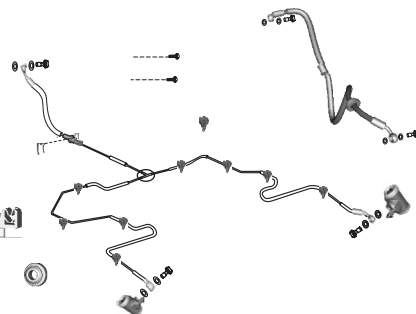
PLATE NO. : 37 STEERING COLUMN ASSLY.	PAGE NO.: 40
	
PLATE NO. : 39 AUTO ADJUSTER BRAKE SYSTEM	PAGE NO.: 43,44
	
PLATE NO. : 41 FRONT MUDGUARD	PAGE NO.: 47
	

PLATE NO. : 38 FRONT BRAKE DRUM	PAGE NO.: 41,42
	
PLATE NO. : 40 AUTO ADJUSTER BRAKE SYSTEM	PAGE NO.: 45,46
	
PLATE NO. : 42 BRAKE PIPE	PAGE NO.: 48
	

Pictorial Index

4Stroke- BS4
(236 cc)

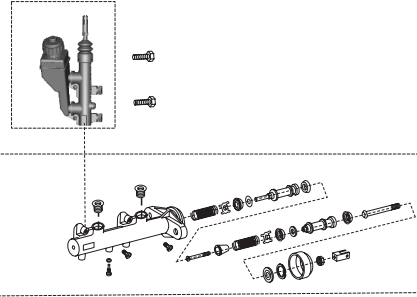
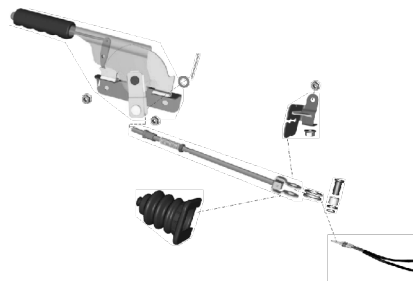
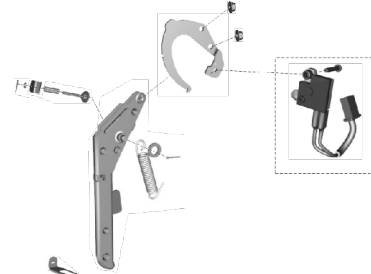
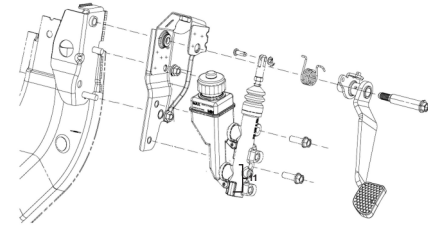
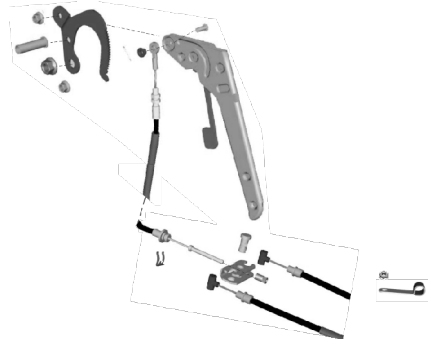

PLATE NO. : 43 TANDEM MASTER CYLINDER	PAGE NO.: 49
	
PLATE NO. : 45 HAND BRAKE-Z	PAGE NO.: 51
	
PLATE NO. : 47 REVERSE BRAKE ASSLY	PAGE NO.: 53
	

PLATE NO. : 44 BRAKE PEDAL	PAGE NO.: 50
	
PLATE NO. : 46 HAND BRAKE-WB	PAGE NO.: 52
	
PLATE NO. : 48 BATTERY	PAGE NO.: 54
	

Pictorial Index

4Stroke- BS4
(236 cc)

PLATE NO. : 49
HAND BAR ASSEMBLY

PAGE NO.:
55,56

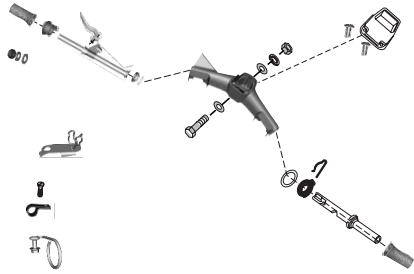


PLATE NO. : 51
FRAME CHASSIS- Z

PAGE NO.:
58

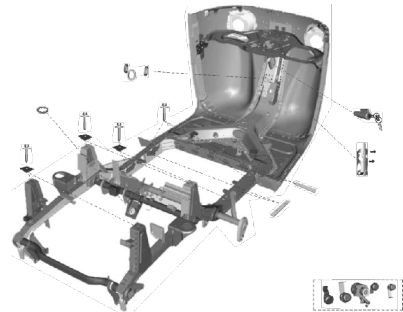


PLATE NO. : 53
SPARE WHEEL

PAGE NO.:
60

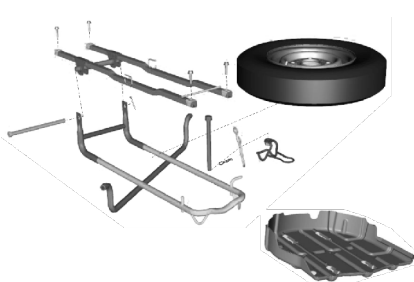


PLATE NO. : 50
CONTROL CABLE

PAGE NO.:
57

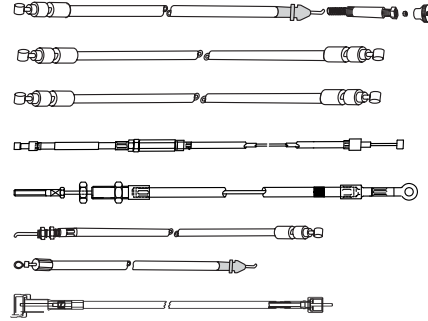


PLATE NO. : 52
FRAME CHASSIS- WB

PAGE NO.:
59

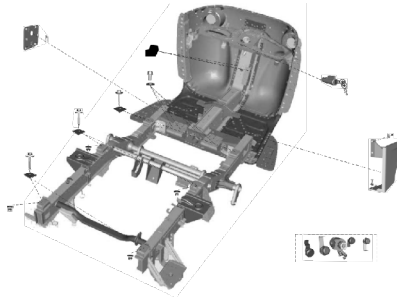
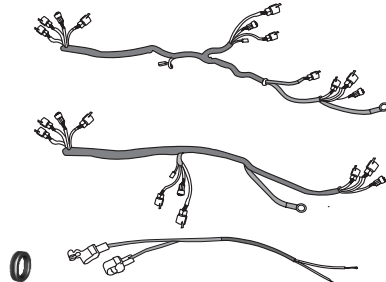


PLATE NO. : 54
HARNES WIRING

PAGE NO.:
61



Pictorial Index

4Stroke- BS4
(236 cc)

PLATE NO. : 55
DASHBOARD- Z

PAGE NO.:
63,64

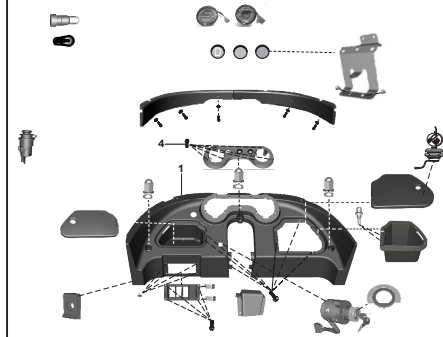


PLATE NO. : 57
WINDSHIELD & WIPER MOTOR

PAGE NO.:
67

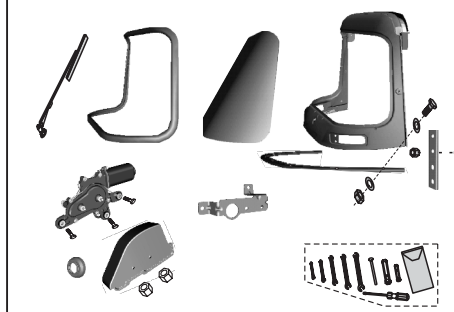


PLATE NO. : 59
PASSENGER BODY- Z

PAGE NO.:
69,70

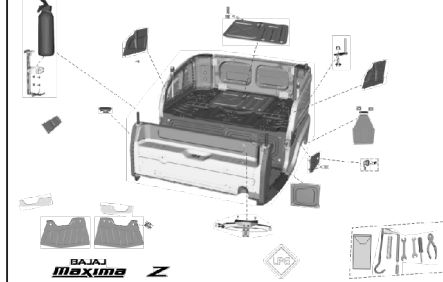


PLATE NO. : 56
DASHBOARD- WB

PAGE NO.:
65,66

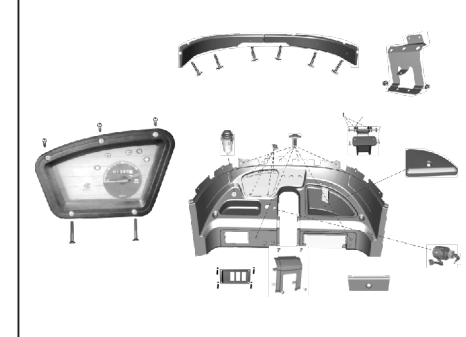


PLATE NO. : 58
STEERING & HEAD LAMP COVER

PAGE NO.:
68

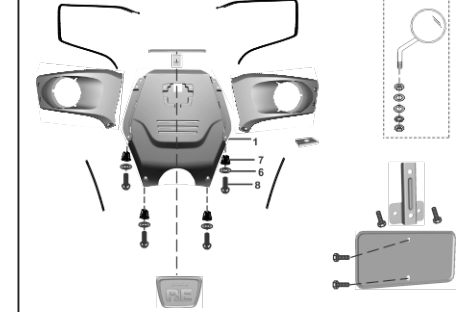
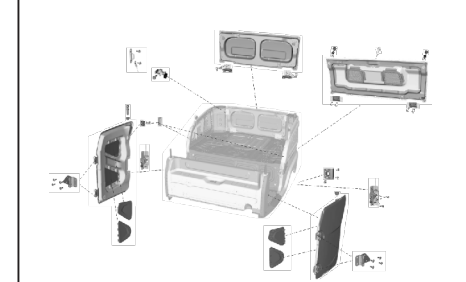


PLATE NO. : 59
DOORS- Z

PAGE NO.:
71,72



Pictorial Index

4Stroke- BS4
(236 cc)

PLATE NO. : 61
PASSENGER BODY-WB

PAGE NO.:
73,74

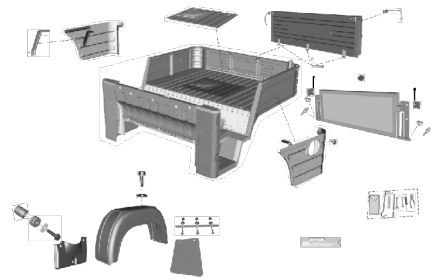


PLATE NO. : 63
SEAT - WB

PAGE NO.:
76

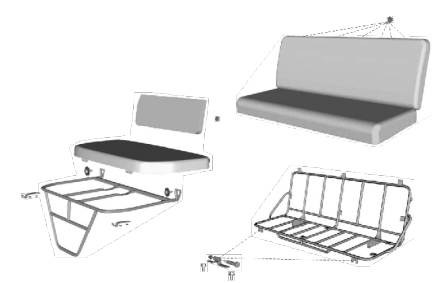


PLATE NO. : 65
HOOD FRAME- WB

PAGE NO.:
78

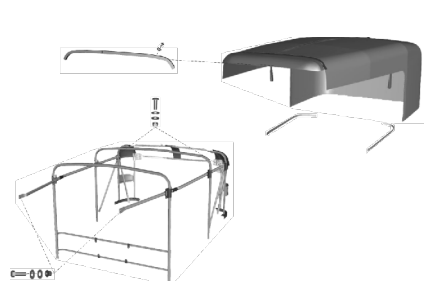


PLATE NO. : 62
SEAT - Z

PAGE NO.:
75

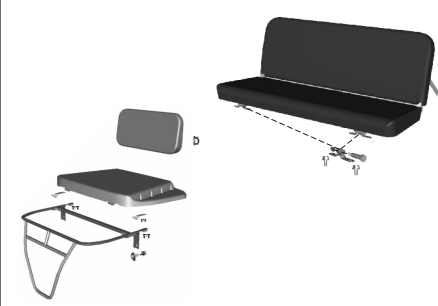


PLATE NO. : 64
HOOD FRAME- Z

PAGE NO.:
77

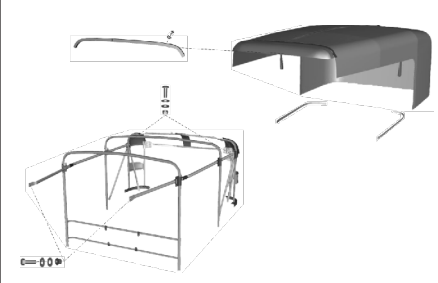
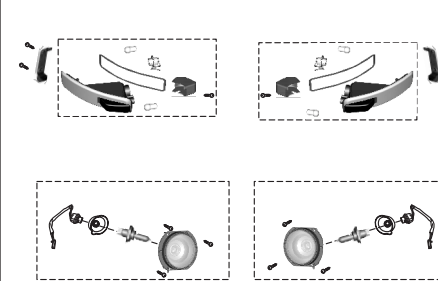


PLATE NO. : 66
HEAD LIGHT ASSLY & BLINKERS

PAGE NO.:
79



Pictorial Index

4Stroke- BS4
(236 cc)

PLATE NO. : 67
TAIL LAMP ASSLY

PAGE NO.:
80

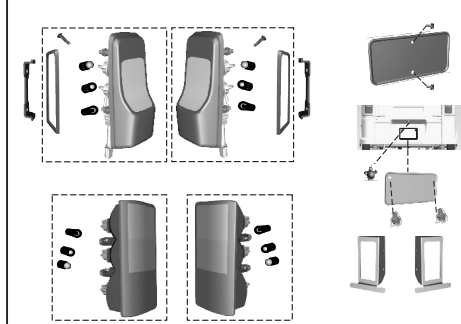


PLATE NO. : 69
ELECTRICAL UNITS

PAGE NO.:
82

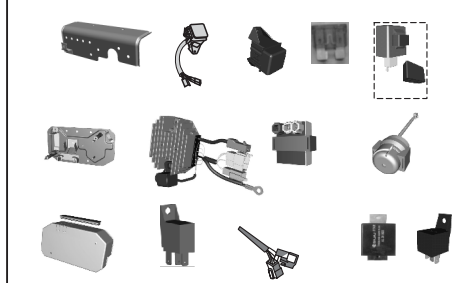


PLATE NO. : 71
CYLINDER FOR CNG- Z

PAGE NO.:
84

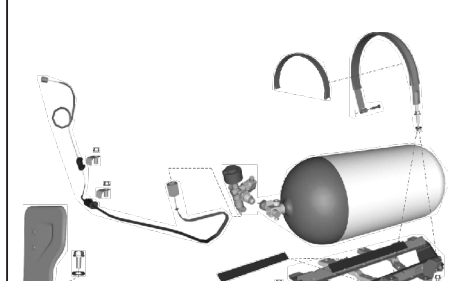


PLATE NO. : 68
SWITCHES AND HORN

PAGE NO.:
81

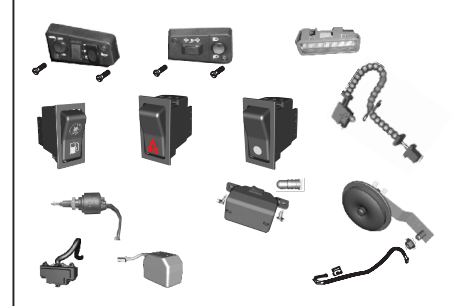


PLATE NO. : 70
CYLINDER FOR LPG- Z

PAGE NO.:
83

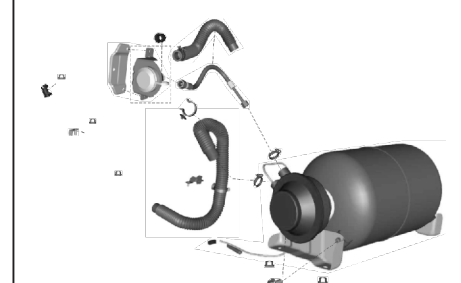
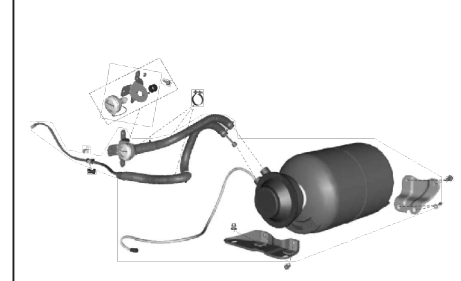


PLATE NO. : 72
CYLINDER FOR LPG- WB

PAGE NO.:
85



Pictorial Index

4Stroke- BS4
(236 cc)

PLATE NO. : 73
CYLINDER FOR CNG- WB

PAGE NO.:
86

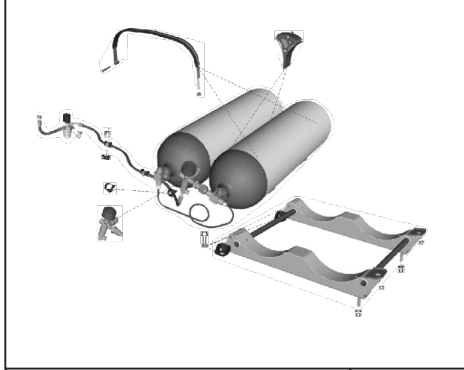


PLATE NO. :75
FILLER CONNECTOR UNIT

PAGE NO.:
88

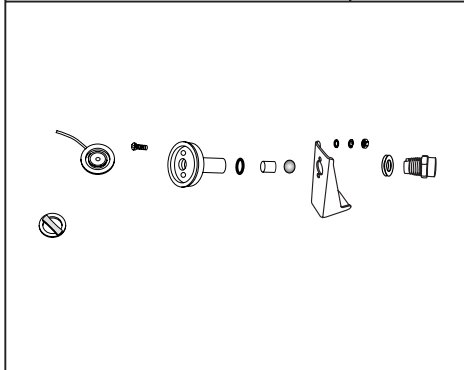


PLATE NO. : 77
REGULATOR

PAGE NO.:
91,92

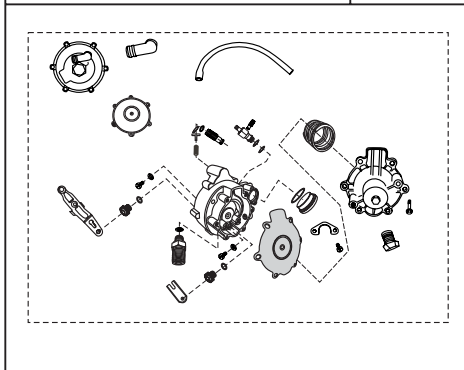


PLATE NO. : 74
RELAY & SOLENOID

PAGE NO.:
87

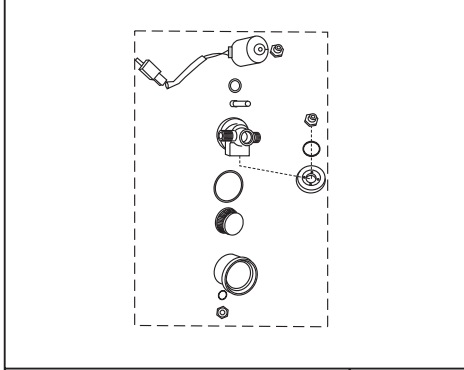


PLATE NO. : 76
1 ST STAGE REDUCTION UNIT

PAGE NO.:
89,90

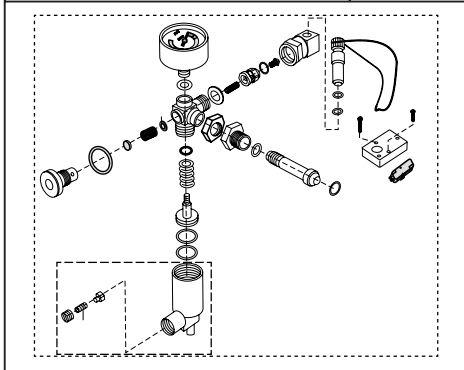
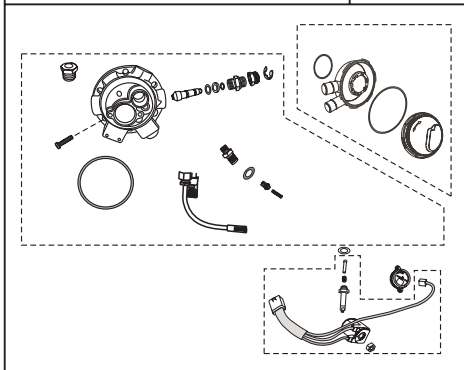


PLATE NO. : 78
MULTI VALVE(ZERO DEG)

PAGE NO.:
93



Pictorial Index

4Stroke- BS4
(236 cc)

PLATE NO. : XX
PAGE NO.:



PLATE NO. : XX
PAGE NO.:

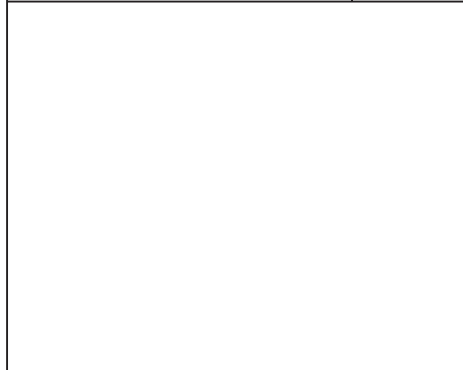


PLATE NO. : XX
PAGE NO.:

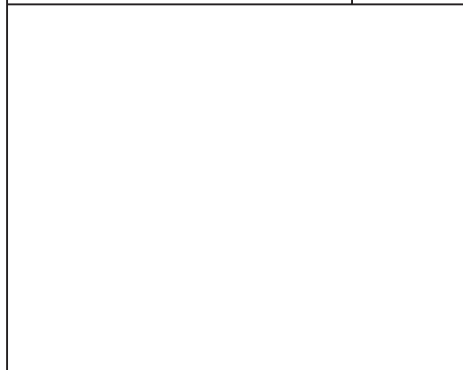


PLATE NO. : XX
PAGE NO.:



PLATE NO. : XX
PAGE NO.:

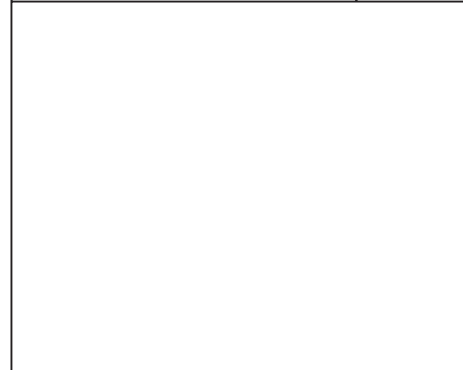


PLATE NO. : XX
PAGE NO.:



4Stroke- BS4
(236 cc)

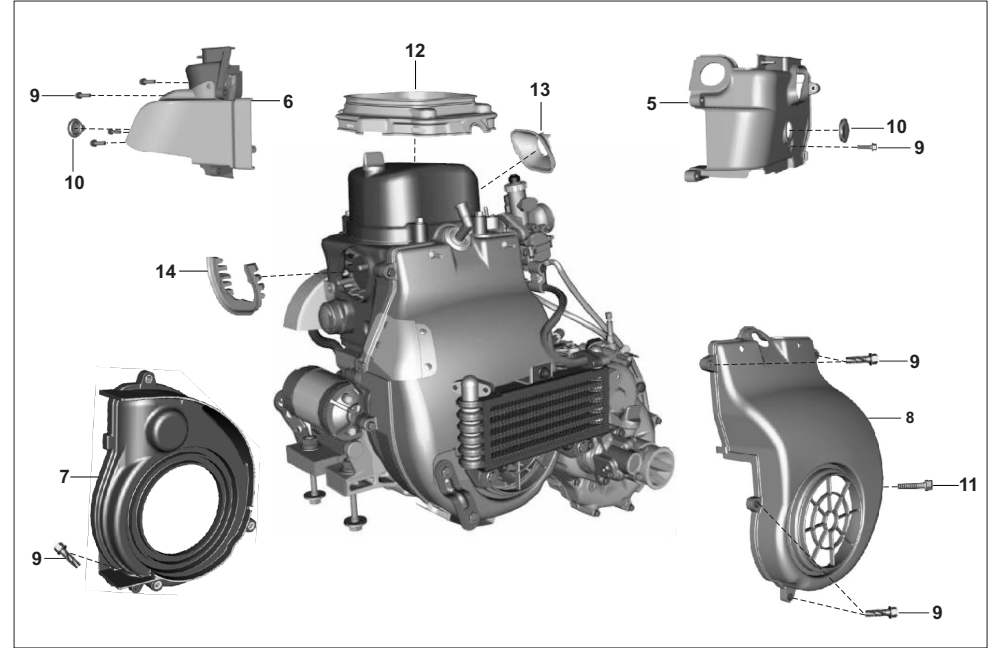


No.	Part No.	Description	Max.Z		Max.		C	Remarks
			RA	AZ	AT	AT1	AN	

RA - BAJAJ Maxima Z LPG | AT - BAJAJ Maxima LPG
AZ - BAJAJ Maxima Z CNG | AT1- BAJAJ Maxima CNG

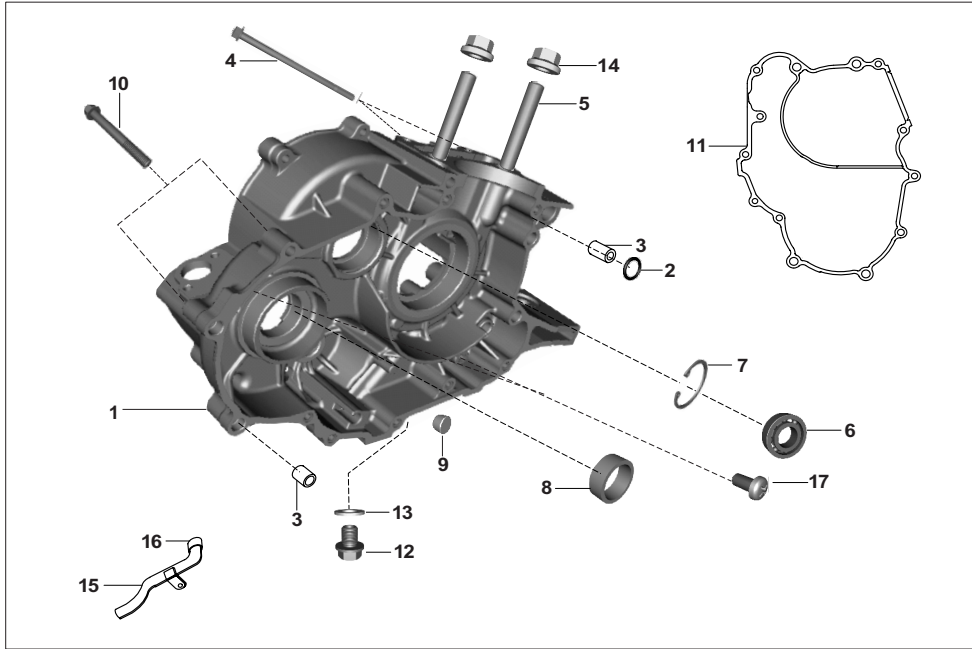
PLATE NO. 1 : ENGINE

4Stroke- BS4
(236 cc)



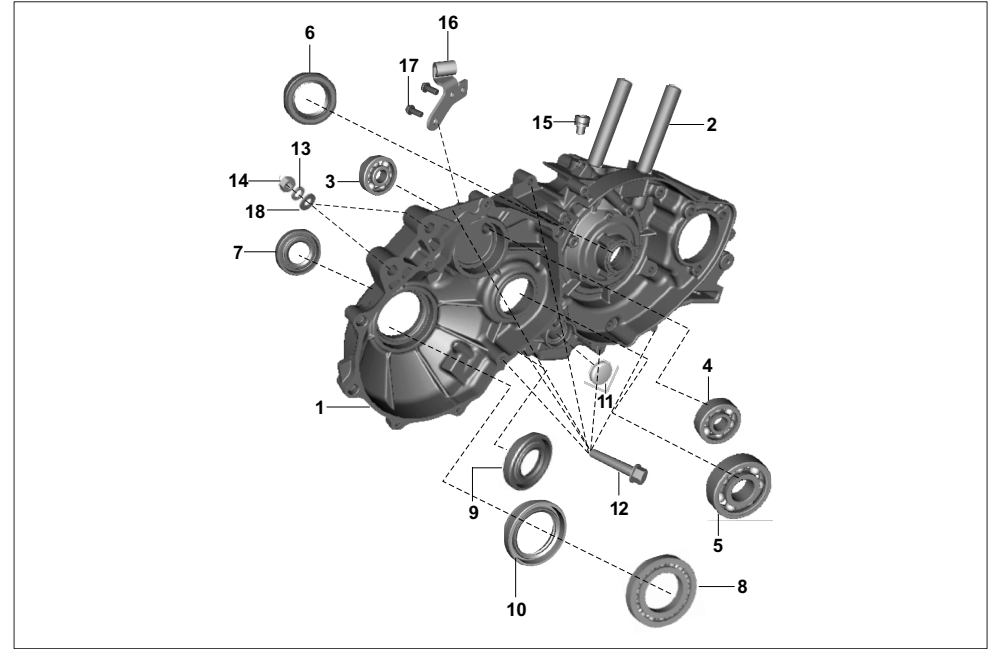
No.	Part No.	Description	Max.Z		Max.		C	Remarks
			RA	AZ	AT	AT1	AN	
1	RA501006	Engine assy LPG	1	-	-	-		
2	AZ501007	Engine assy. CNG	-	1	-	-		
3	AT501006	Engine assembly LPG	-	-	1	-		
4	AT501005	Engine assembly	-	-	-	1		
5	AZ601413	Cowling intake	1	1	1	1		
6	AZ601410	Cowling assembly exhaust	1	1	1	1		
7	AN101203	Internal cowling comp	1	1	1	1		
8	AZ601405	Assembly fan cover	1	1	1	1		
9	39167304	Flange Bolt -m6	10	10	10	10		
10	GF101139	Grommet	2	2	2	2		
11	39107404	Bolt - flanged :- small	1	1	1	1		
12	AZ601408	Cap cover head	1	1	1	1		
13	AZ601409	Cap sealing manifold	1	1	1	1		
14	AZ601414	Pad	1	1	1	1		

RA - BAJAJ Maxima Z LPG | AT - BAJAJ Maxima LPG
AZ - BAJAJ Maxima Z CNG | AT1- BAJAJ Maxima CNG



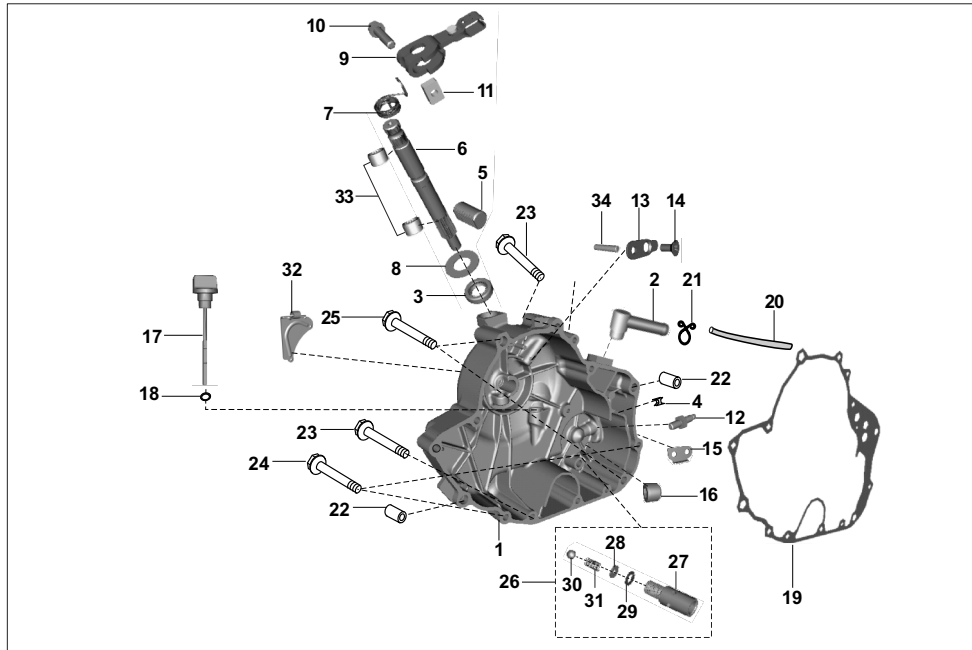
No.	Part No.	Description	Max.Z		Max.		C	Remarks
			RA	AZ	AT	AT1		
1	AN101127	Crank case clutch side	1	1	1	1		
2	39101321	'O' ring	1	1	1	1		
3	39100006	Hollow dowel pin	2	2	2	2		
4	LAD00062	Bolt flanged M6X1X105L	2	2	2	2		
5	59050002	Stud	2	2	2	2		
6	39121420	Ball bearing	1	1	1	1		
7	21170419	Circlip	1	1	1	1		
8	03100335	Needle roller bearing	1	1	1	1		
9	DP101154	Plug	1	1	1	1		
10	39167604	Bolt flanged small	2	2	2	2		
11	AN101129	Gasket (Crankcase)	1	1	1	1		
12	DH101661	Drain plug	1	1	1	1		
12	DU101223	Plug drain magnetic	1	1	1	1		
13	31101106	Gasket (stopper roc.arm)	1	1	1	1		
14	39105515	Hex nut flange M10	2	2	2	2		
15	AA101221	Tube assembly	1	1	1	1		
16	28101080	Bush - rubber	1	1	1	1		
17	39074601	Screw pan cross-M6	2	2	2	2		

RA - BAJAJ Maxima Z LPG | AT - BAJAJ Maxima LPG
AZ - BAJAJ Maxima Z CNG | AT1- BAJAJ Maxima CNG



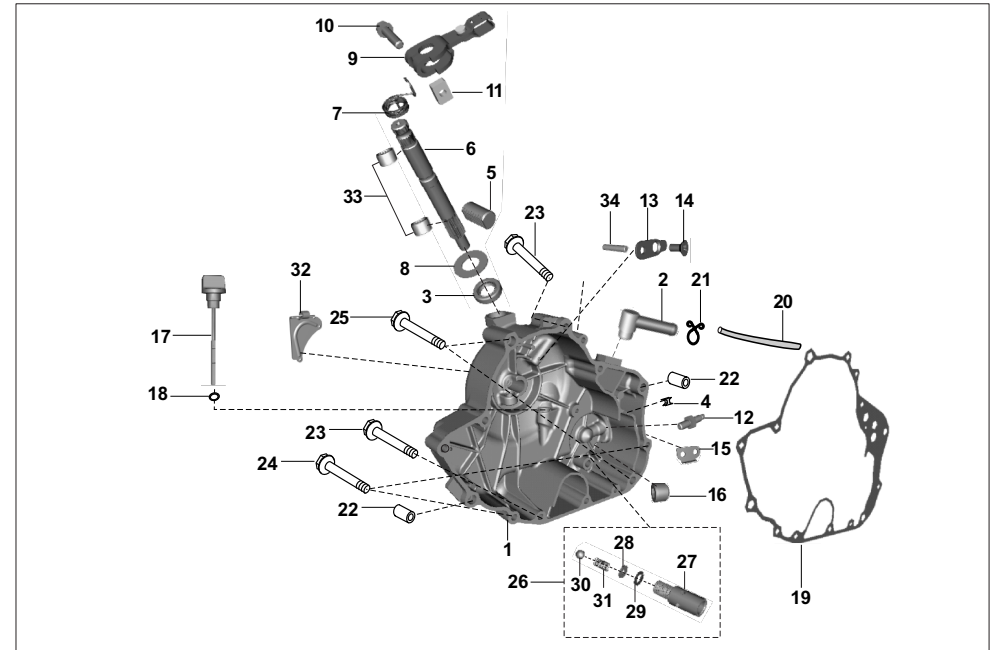
No.	Part No.	Description	Max.Z		Max.		C	Remarks
			RA	AZ	AT	AT1		
1	AU541007	Crankcase magneto side	1	1	1	1		
2	59050002	Stud m10 (bolt stud cylinder)	2	2	2	2		
3	30151059	Bearing - ball c'case magn.side	1	1	1	1		
4	39186420	Bearing - ball :- 20 x 52 x 15	1	1	1	1		
5	39256120	Bearing - ball 6305	1	1	1	1		
6	AA101950	Seal Oil	1	1	1	1		
7	39171619	Oil seal (Main Shaft)	1	1	1	1		
8	24130105	Ball bearing (Differential)	1	1	1	1		
9	39171619	Oil seal	1	1	1	1		
10	BF551613	Oil seal(Differential)	1	1	1	1		
11	AN101062	Cap Sealing C.case Magn Side	1	1	1	1		
12	39107504	Flanged bolt	6	6	6	6		
13	39182912	Spring washer	2	2	2	2		
14	39029615	Hexagon nut-M10	2	2	2	2		
15	AN101238	Bolt restrictor	1	1	1	1		
16	AA102031	Bracket holding - reverse cable	1	1	1	1		
17	KAED0614	Bolt	2	2	2	2		
18	39024811	Washer - plain	2	2	2	2		

RA - BAJAJ Maxima Z LPG | AT - BAJAJ Maxima LPG
AZ - BAJAJ Maxima Z CNG | AT1- BAJAJ Maxima CNG



No.	Part No.	Description	Max.Z		Max.		C		Remarks
			RA	AZ	AT	AT1	AN		
1	AZ541202	Cover clutch	1	1	1	1			
2	AN101420	Pipe - breather	1	1	1	1			
3	39104119	Seal oil- Clutch cover	1	1	1	1			
4	AB101038	Grommet breather	1	1	1	1			
5	DH101141	Rack clutch push	1	1	1	1			
6	AZ551001	Shaft clutch release	1	1	1	1			
7	AN101376	Spring torsion clutch lever	1	1	1	1			
8	39244311	Washer - Plain	1	1	1	1			
9	DH101180	Lever assembly	1	1	1	1			
10	39167404	Bolt - flange :- M6 X 25	1	1	1	1			
11	DH101275	Nut - special	1	1	1	1			
12	AA101826	Connector -oil supply	1	1	1	1			
13	AN101189	Plate stopper, clutch cover	1	1	1	1			
14	LBC00004	Screw csk cross-m6	1	1	1	1			
15	AA102055	Bracket -cable oil pr. switch	1	1	1	1			
16	BA102004	Plug	1	1	1	1			
17	AA101667	Stick dip - clutch cover	1	1	1	1			
18	39153721	O Ring	1	1	1	1			
19	AN101186	Gasket, clutch cover	1	1	1	1			
20	AZ581047	Tube breather	1	1	1	1			

RA - BAJAJ Maxima Z LPG | AT - BAJAJ Maxima LPG
AZ - BAJAJ Maxima Z CNG | AT1- BAJAJ Maxima CNG

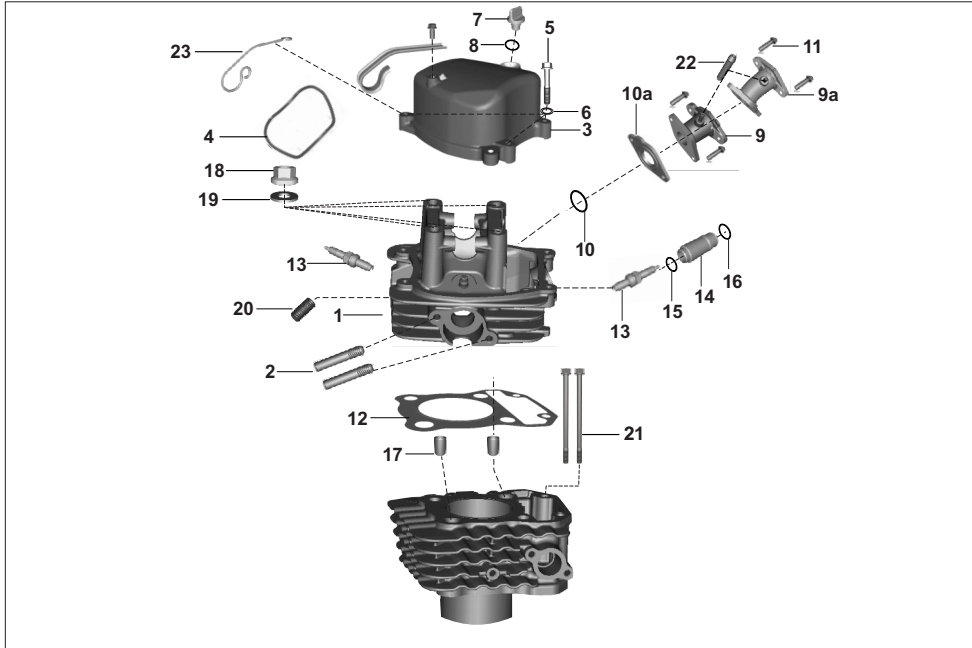


No.	Part No.	Description	Max.Z		Max.		C		Remarks
			RA	AZ	AT	AT1	AN		
21	24121476	Clip	1	1	1	1			
22	39100006	Hollow dowel pin	2	2	2	2			
23	39106504	Bolt flanged - M6x40	5	5	5	5			
24	39196304	Bolt	4	4	4	4			
25	39172104	Bolt	3	3	3	3			
26	AA101883	Pressure relief valve assly	1	1	1	1			
27	AA101884	Valve pressure relief	1	1	1	1			
28	DK101472	Washer pressure relief valve	1	1	1	1			
29	39254717	Internal circlip	1	1	1	1			
30	30101236	Ball steel	1	1	1	1			
31	DK101449	Spring PRV	1	1	1	1			
32	AA101939	Bracket cable clutch	1	1	1	1			
33	39199020	Bearing - needle	2	2	2	2			
34	39099206	Dowel	1	1	1	1			

RA - BAJAJ Maxima Z LPG | AT - BAJAJ Maxima LPG
AZ - BAJAJ Maxima Z CNG | AT1- BAJAJ Maxima CNG

PLATE NO. 7 : CYLINDER HEAD

4Stroke- BS4
(236 cc)

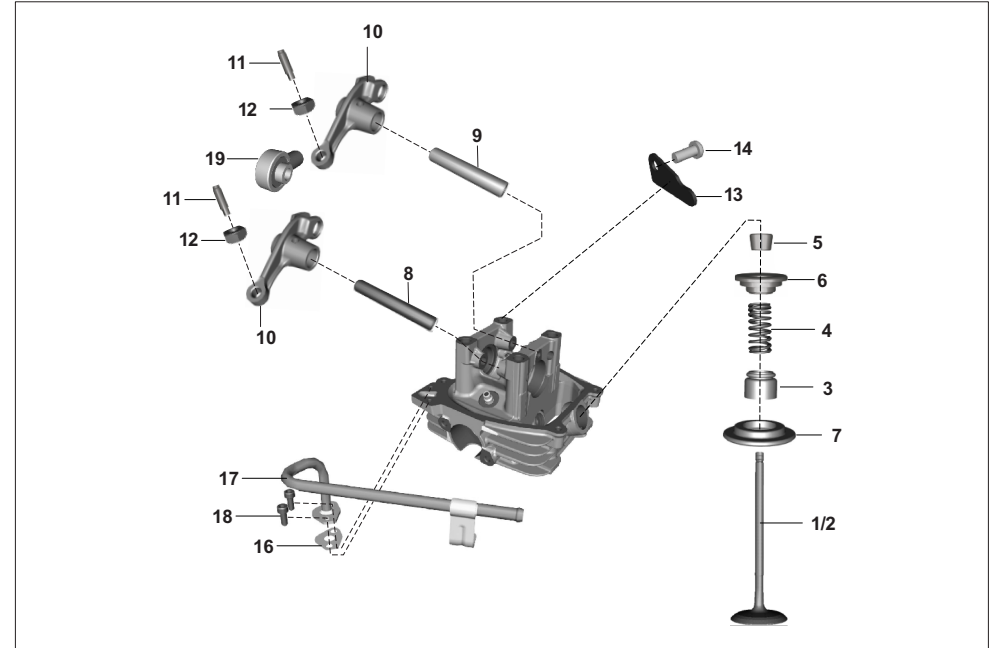


No.	Part No.	Description	Max.Z		Max.		C	Remarks
			RA	AZ	AT	AT1		
1	AZ511002	Cylinder head complete	1	1	1	1		
2	LAJ00016	Bolt stud	2	2	2	2		
3	AN101177	Head cover	1	1	1	1		
4	AA101844	Seal head cover	1	1	1	1		
5	59040038	Bolt - flanged	4	4	4	4		
6	39130911	Plain washer	2	2	2	2		
7	AN131007	Cap - oil filling	1	1	1	1		
8	39153721	Ring - O	1	1	1	1		
9	AZ581409	Assembly manifold with nipple	1	1	-	-		
9	AZ581417	Manifold intake	-	-	1	1		
9	39128321	Ring - O for AN121201	1	1	1	1		
10	AA101838	Gasket- manifold	1	1	1	1		
10a	KAED0622	Bolt - flanged :- manifold	2	2	2	2		
11	AZ521003	Gasket -cylinder head	1	1	1	1		
12	AA111154	Plug spark solid post-bosh	2	2	2	2		
13	AA111153	Plug spark solid post-bosh	2	2	2	2		
13	AZ511010	Sleeve spark plug	1	1	1	1		
14	KJAC1824	O ring	1	1	1	1		
15	39128321	O ring spark plug	1	1	1	1		
16	39218106	Hollow dowel pin	2	2	2	2		
17	39105515	Hex nut(cylinder head nut)	4	4	4	4		
18	39024811	Washer - plain	4	4	4	4		
19	39260801	Screw - grub :- M5 X 0.8 X 7	1	1	1	1		
20	LAD00062	Bolt flanged M6X1X105L	2	2	2	2		
21	JE581416	Nipple connector manifold SAI	1	1	1	1		
22	AA102154	Hook engine breather tube	1	1	-	-		
23	AN101503	Hook	-	-	1	1		
24	KAEA0612	Bolt-flanged-small	-	-	1	1		

RA - BAJAJ Maxima Z LPG | AT - BAJAJ Maxima LPG
AZ - BAJAJ Maxima Z CNG | AT1- BAJAJ Maxima CNG

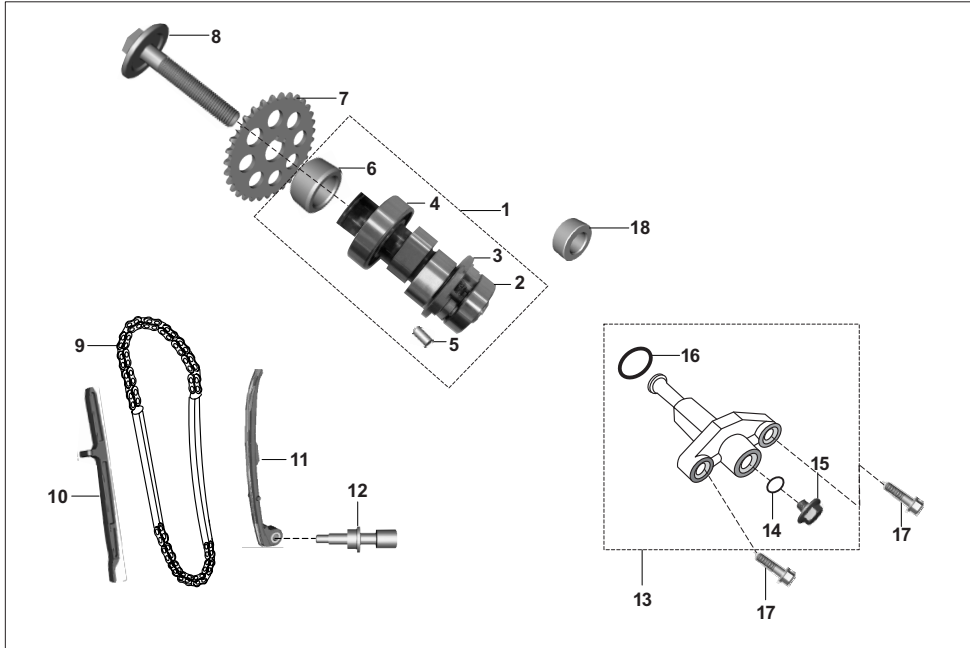
PLATE NO. 8 : ROCKER ARM ASSLY & VALVE

4Stroke- BS4
(236 cc)



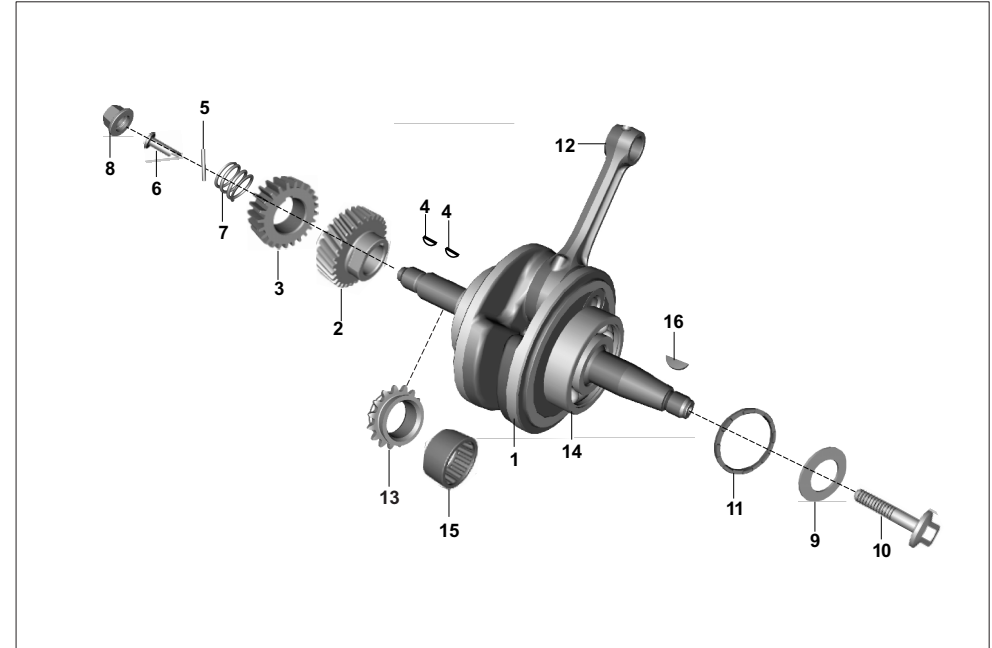
No.	Part No.	Description	Max.Z		Max.		C	Remarks
			RA	AZ	AT	AT1		
1	AZ511201	Valve intake	1	1	1	1		
2	AZ511202	Valve exhaust	1	1	1	1		
3	39103519	Seal - oil	2	2	2	1		
4	AA101875	Spring for engine valve	2	2	2	1		
5	31101019	Collet	4	4	4	4		
6	31101018	Retainer valve spring	2	2	2	2		
7	28101129	Seat spring	2	2	2	2		
8	AZ511207	Shaft rocker arm intake	1	1	1	1		
9	AZ511208	Shaft rocker arm exhaust	1	1	1	1		
10	JH511207	Assly rocker arm C101	2	2	2	2		
11	JL511227	Screw tappet	1	1	1	1		
12	39097315	Nut - hexagon :- M5 X 0.5	2	2	2	2		
13	AN101147	Plate stopper	1	1	1	1		
14	DX101074	Screw pan cross M6	1	1	1	1		
15	36RA0003	Kit_ valve 4S -236	1	1	1	1		Kit-5
16	AA102082	Gasket	1	1	1	1		
17	AZ582405	Tube assembly sai	1	1	1	1		
18	KACA0614	Bolt master kac	2	2	2	2		
19	DU101068	Roller assy.	1	1	1	1		

RA - BAJAJ Maxima Z LPG | AT - BAJAJ Maxima LPG
AZ - BAJAJ Maxima Z CNG | AT1- BAJAJ Maxima CNG



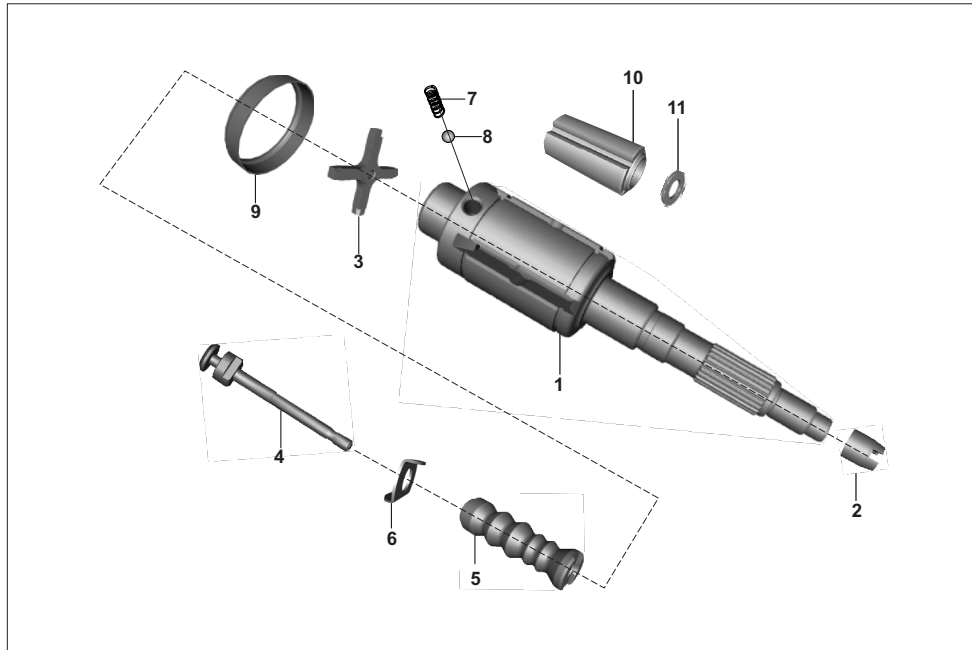
No.	Part No.	Description	Max.Z		Max.		C	Remarks
			RA	AZ	AT	AT1		
1	AZ511204	Camshaft assembly	1	1	1	1		
2	39188020	Bearing - Ball :- 15 X 32 X 9	1	1	1	1		
3	AN101323	Decomp. Assembly	1	1	1	1		
4	JC101086	Bearing ball 6302 RS1/C3H	1	1	1	1		
5	KHDA0306	Pin dowel	1	1	1	1		
6	AA101814	Collar - cam sprocket	1	1	1	1		
7	DS101276	Sprocket - cam driven	1	1	1	1		
8	AN101182	Bolt socket head	1	1	1	1		
9	DK101064	Timing chain	1	1	1	1		
10	AN101166	Guide chain	1	1	1	1		
11	AN101257	Guide chain (tensioner Side)	1	1	1	1		
12	AN101250	Pin guide chain	1	1	1	1		
13	DS101277	Tensioner assly with O ring	1	1	1	1		
14	39179021	'O' ring	1	1	1	1		
15	DD101062	Bolt flange M6X1-L10	1	1	1	1		
16	39101421	Ring - O	1	1	1	1		
17	39167404	Flange bolt	1	1	1	1		
18	AA102094	Chain timing-205fl-rl	1	1	1	1		

RA - BAJAJ Maxima Z LPG | AT - BAJAJ Maxima LPG
AZ - BAJAJ Maxima Z CNG | AT1- BAJAJ Maxima CNG



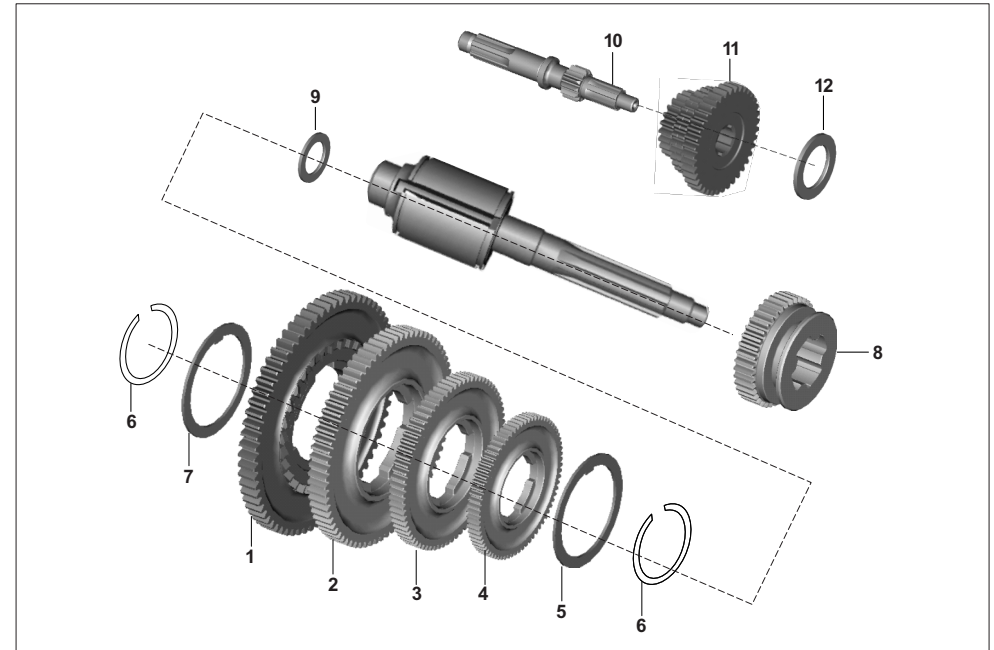
No.	Part No.	Description	Max.Z		Max.		C	Remarks
			RA	AZ	AT	AT1		
1	AZ531000	Assembly crank shaft	1	1	1	1		
2	AZ551202	Pinion primary	1	1	1	1		
3	AA101424	Oil pump drive gear	1	1	1	1		
4	31101173	Key woodruff	2	2	2	2		
5	39192707	Roller pin	1	1	1	1		
6	AA101138	Plunger oil	1	1	1	1		
7	AA101139	Spring plunger	1	1	1	1		
8	39188515	Nut	1	1	1	1		
9	LDB00047	Washer plain	1	1	1	1		
10	LAD00124	Bolt flange	1	1	1	1		
11	DK101097	Damper spring	1	1	1	1		
12	36AZ0049	Kit_connecting rod 4S -236	1	1	1	1		Kit-6
13	AN101155	Sprocket - crankshaft	1	1	1	1		
14	39193120	Bearing - Ball :- 28 X 68 X 18	2	2	2	2		
15	39215320	Needle roller bearing	1	1	1	1		
16	AP101257	Key woodruff - c'shaft mag side	1	1	1	1		

RA - BAJAJ Maxima Z LPG | AT - BAJAJ Maxima LPG
AZ - BAJAJ Maxima Z CNG | AT1- BAJAJ Maxima CNG



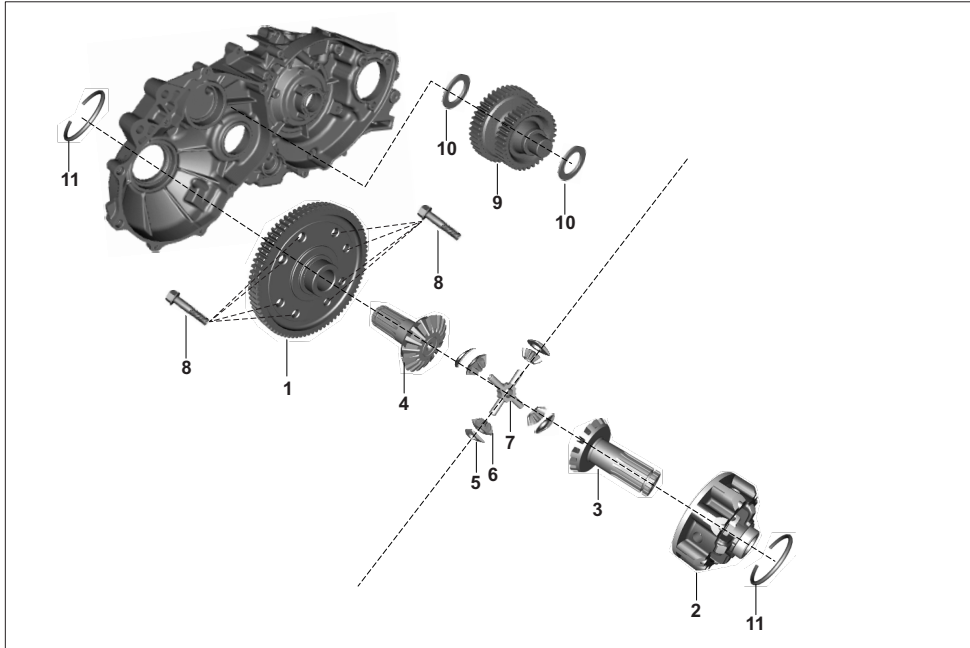
No.	Part No.	Description	Max.Z		Max.		C	Remarks
			RA	AZ	AT	AT1		
1	AZ551003	Main shaft	1	1	1	1		
2	AA101295	Drive bush	1	1	1	1		
3	AB101067	Cross	1	1	1	1		
4	AA101868	Guide stem	1	1	1	1		
5	AA102164	Selector gear	1	1	1	1		
6	BA132045	Plain washer	1	1	1	1		
7	28101038	Spring	2	2	2	2		
8	01180123	Steel ball	2	2	2	2		
9	AA101061	Cup gear shifter	1	1	1	1		
10	AN101198	Sleeve, main shaft	1	1	1	1		
11	AN101200	Spacer, sleeve	1	1	1	1		

RA - BAJAJ Maxima Z LPG | AT - BAJAJ Maxima LPG
AZ - BAJAJ Maxima Z CNG | AT1- BAJAJ Maxima CNG



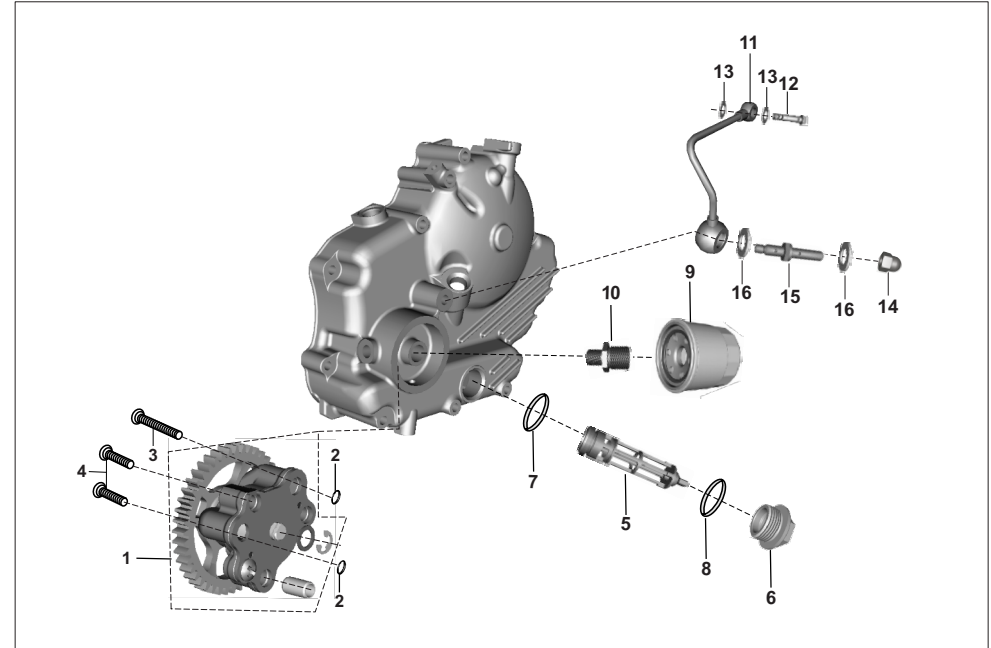
No.	Part No.	Description	Max.Z		Max.		C	Remarks
			RA	AZ	AT	AT1		
1	AN101379	1st speed gear	1	1	1	1		
2	AZ551211	Gear speed-2nd	1	1	1	1		
3	AZ551212	Gear speed-3rd	1	1	1	1		
4	AZ551213	Gear speed-4th	1	1	1	1		
5	15101171	Spacer ring	1	1	1	1		
6	21100711	Circlip	2	2	2	2		
7	01100711	Shoulder ring No. 1	1	1	1	1		
7	01100712	Shoulder ring No. 2	1	1	1	1		
7	01100713	Shoulder ring No. 3	1	1	1	1		
7	01100714	Shoulder ring No. 4	1	1	1	1		
8	AZ551603	Gear reverse control	1	1	-	-		
8	AN101437	Gear reverse control (M 2.5)	-	-	1	1		
9	AA101055	Thrust washer	1	1	1	1		
10	AN101339	Multiple gear shaft	1	1	1	1		
11	AZ551210	Gear multiple	1	1	1	1		
12	AN101347	Thrust washer (M.G.Shaft)	1	1	1	1		

RA - BAJAJ Maxima Z LPG | AT - BAJAJ Maxima LPG
AZ - BAJAJ Maxima Z CNG | AT1- BAJAJ Maxima CNG



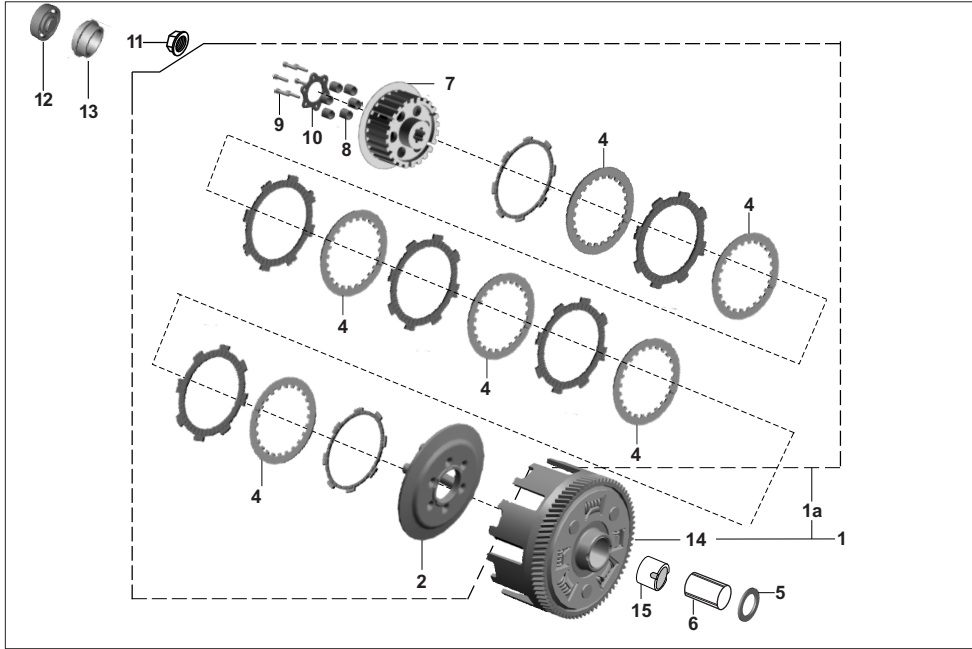
No.	Part No.	Description	Max.Z		Max.		C		Remarks
			RA	AZ	AT	AT1	AN		
1	AZ551602	Gear differential	1	1	-	-			
1	AN101438	Gear differential (M 2.5)	-	-	1	1			
2	AN101406	Housing assy-satellite gear	1	1	1	1			
3	AN101434	Gear bevel sg. Hsg. Side	1	1	1	1			
4	AN101435	Gear bevel diff. Gear side	1	1	1	1			
5	22131014	Spacer	4	4	4	4			
6	AL131058	Gear - satellite	4	4	4	4			
7	AL131055	Cross - differential	1	1	1	1			
8	AN131018	Bolt differential pre-coating	8	8	8	8			
9	AZ551604	Gear idler	1	1	-	-			
9	AN101436	Gear idler (M 2.5)	-	-	1	1			
10	AA101058	Thrust Washer idler gear	2	2	2	2			
11	BH551800	Clip lock drive shaft	2	2	2	2			

RA - BAJAJ Maxima Z LPG | AT - BAJAJ Maxima LPG
AZ - BAJAJ Maxima Z CNG | AT1 - BAJAJ Maxima CNG



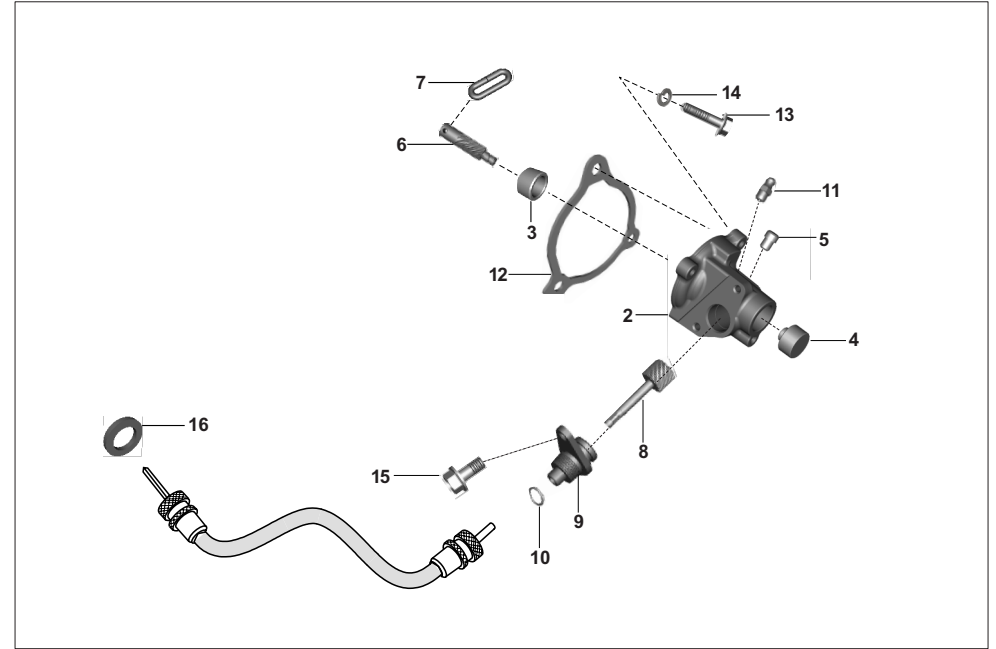
No.	Part No.	Description	Max.Z		Max.		C		Remarks
			RA	AZ	AT	AT1	AN		
1	AA121336	Oil p							
2	39101321	'O' ring	2	2	2	2			
3	39073001	Screw pan	1	1	1	1			
4	39074801	Screw pan	2	2	2	2			
5	JA541019	Mesh filter oil pump	1	1	1	1			
6	28101022	Cap - strainer	1	1	1	1			
7	JA541020	O-ring mesh filter oil pump	1	1	1	1			
8	39165721	Ring - O	1	1	1	1			
9	AN101190	Filter assembly - Oil	1	1	1	1			
10	EC541004	Adapter oil filter	1	1	1	1			
11	AZ571209	Pipe assembly-banjo	1	1	1	1			
12	AN101188	Bolt special, clutch cover	1	1	1	1			
13	31121006	Gasket	2	2	2	2			
14	AN101113	Dom nut	1	1	1	1			
15	AA101826	Connector -oil supply	1	1	1	1			
16	DK101237	Washer copper oil cooler	2	2	2	2			

RA - BAJAJ Maxima Z LPG | AT - BAJAJ Maxima LPG
AZ - BAJAJ Maxima Z CNG | AT1 - BAJAJ Maxima CNG



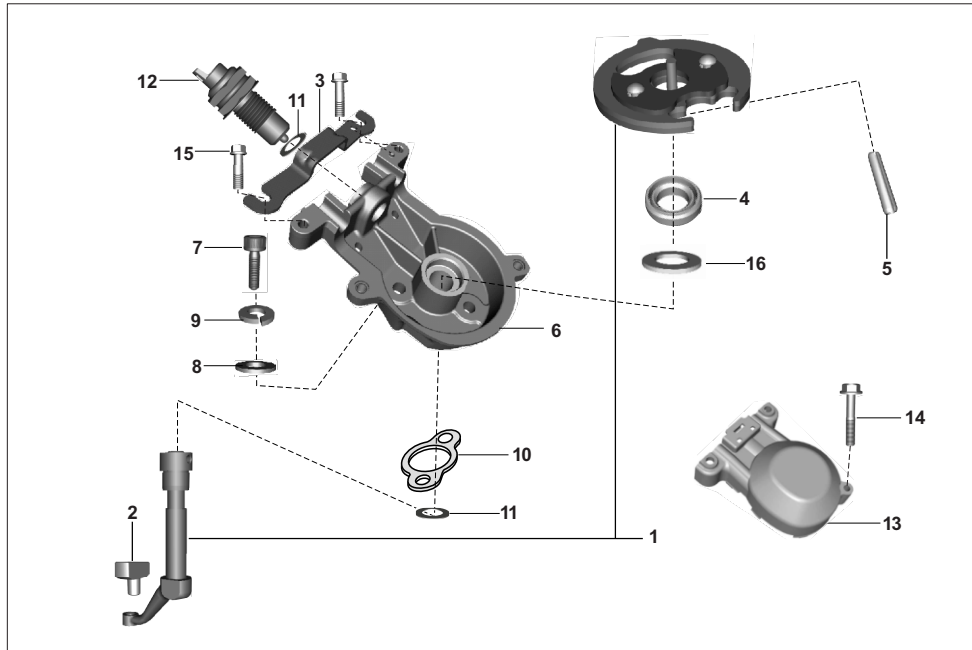
No.	Part No.	Description	Max.Z		Max.		C	Remarks
			RA	AZ	AT	AT1		
1	AN101488	Clutch complete	1	1	1	1		
1a	AA102162	Plate assembly-clutch	1	1	1	1		
2	AA101471	Wheel clutch	1	1	1	1		
3	36RA0002	Friction plate kit- 236	1	1	1	1		Kit-7
4	AA101472	Plate clutch	6	6	6	6		
5	39200811	Plain washer	1	1	1	1		
6	AA101213	Collar	1	1	1	1		
7	AA102166	Hub clutch	1	1	1	1		
8	AA102165	Spring clutch	6	6	6	6		
9	KAAD0525	Bolt	6	6	6	6		
10	AA101474	Holder clutch	1	1	1	1		
11	39193815	Flange nut	1	1	1	1		
12	DH101795	Clutch lifter bearing	1	1	1	1		
13	AN101361	Plate holder	1	1	1	1		
14	AN101489	Housing assembly clutch	1	1	1	1		
15	AA101009	Bush gear primary	1	1	1	1		

RA - BAJAJ Maxima Z LPG | AT - BAJAJ Maxima LPG
AZ - BAJAJ Maxima Z CNG | AT1- BAJAJ Maxima CNG



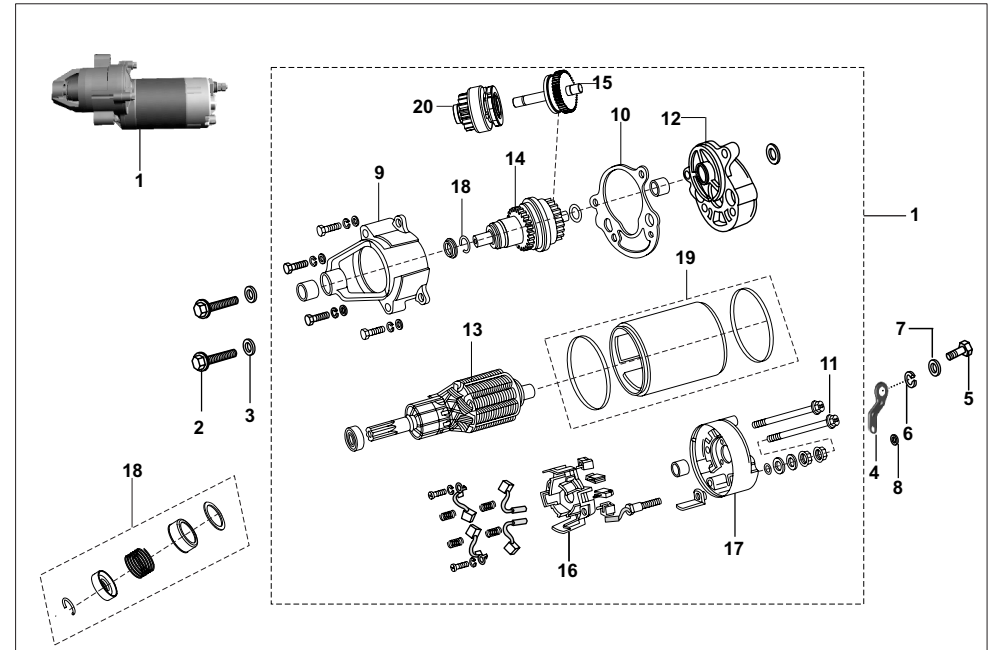
No.	Part No.	Description	Max.Z		Max.		C	Remarks
			RA	AZ	AT	AT1		
1	AN101432	Faremeter assy. Complete	1	1	1	1		alt- 52AA0457
2	AA101745	Fare meter housing assly	1	1	1	1		
3	24131007	Bush	1	1	1	1		
4	24131008	Plug	1	1	1	1		
5	03170109	Pin	1	1	1	1		
6	AA101750	Faremeter pinion	1	1	1	1		
7	24131003	Wire	1	1	1	1		
8	AN131026	Faremeter gear	1	1	-	-		
8	AZ552604	Gear faremeter	-	-	1	1		
9	AA101742	Bush	1	1	1	1		
10	39158721	O ring (speedo adaptor)	1	1	1	1		
11	23161305	Grease nipple	1	1	1	1		
12	AA131004	Gasket	1	1	1	1		
13	59040029	Bolt with split pin	3	3	3	3		
14	39183012	Washer - Spring	3	3	3	3		
15	KADA0512	Hex bolt	1	1	1	1		
16	AA101747	Seal rubber-faremeter cable	1	1	1	1		

RA - BAJAJ Maxima Z LPG | AT - BAJAJ Maxima LPG
AZ - BAJAJ Maxima Z CNG | AT1- BAJAJ Maxima CNG



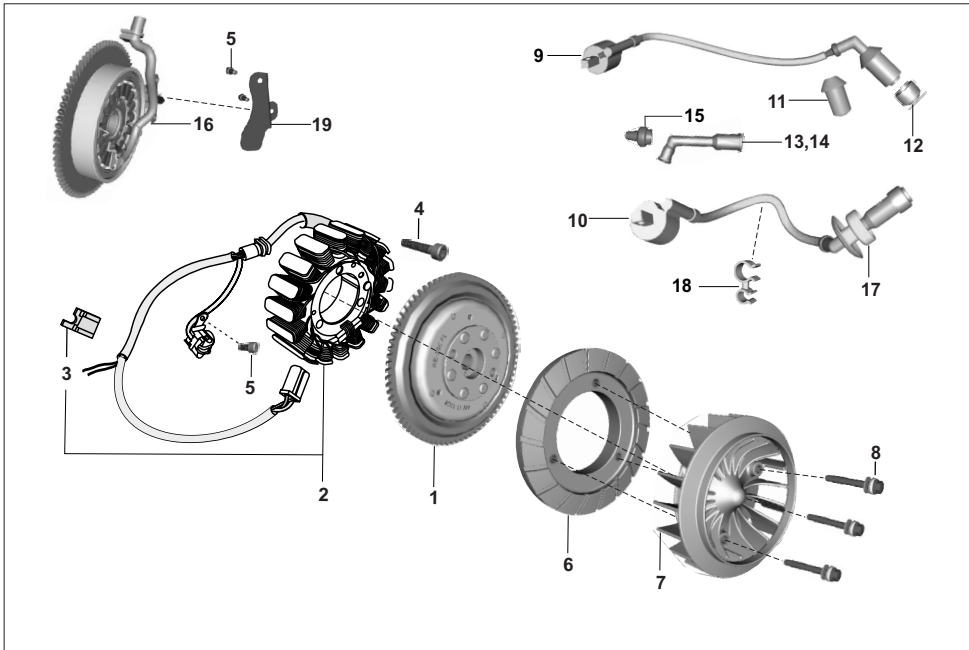
No.	Part No.	Description	Max.Z		Max.		C	Remarks
			RA	AZ	AT	AT1		
1	AA101736	Sector assy comp.with lever	1	1	1	1		
2	BA132141	Slider block	1	1	1	1		
3	AA101665	Bracket fix end cable guide	1	1	1	1		
4	39104619	Seal oil	1	1	1	1		
5	39042606	Spring type straight pin	1	1	1	1		
6	AA101819	Flange assy gear shifter	1	1	1	1		
7	39119704	Bolt socket	2	2	-	-		
7	LAC00026	Bolt socket	-	-	2	2		
8	39019811	Plain washer	2	2	2	2		
9	39182612	Spring washer	2	2	2	2		
10	AA101084	Gasket sector flange	1	1	1	1		
11	39080411	Plain washer	2	2	2	2		
12	AP111023	Switch neutral	1	1	1	1		
13	AA102167	Cover assembly-gear shifter	1	1	1	1		
14	KADD0530	Bolt flanged	1	1	1	1		
15	LAD00017	Bolt flanged cable guide	2	2	2	2		
16	39055011	Washer plain	1	1	-	-		
16	39234911	Washer plain	-	-	1	1		

RA - BAJAJ Maxima Z LPG | AT - BAJAJ Maxima LPG
AZ - BAJAJ Maxima Z CNG | AT1- BAJAJ Maxima CNG



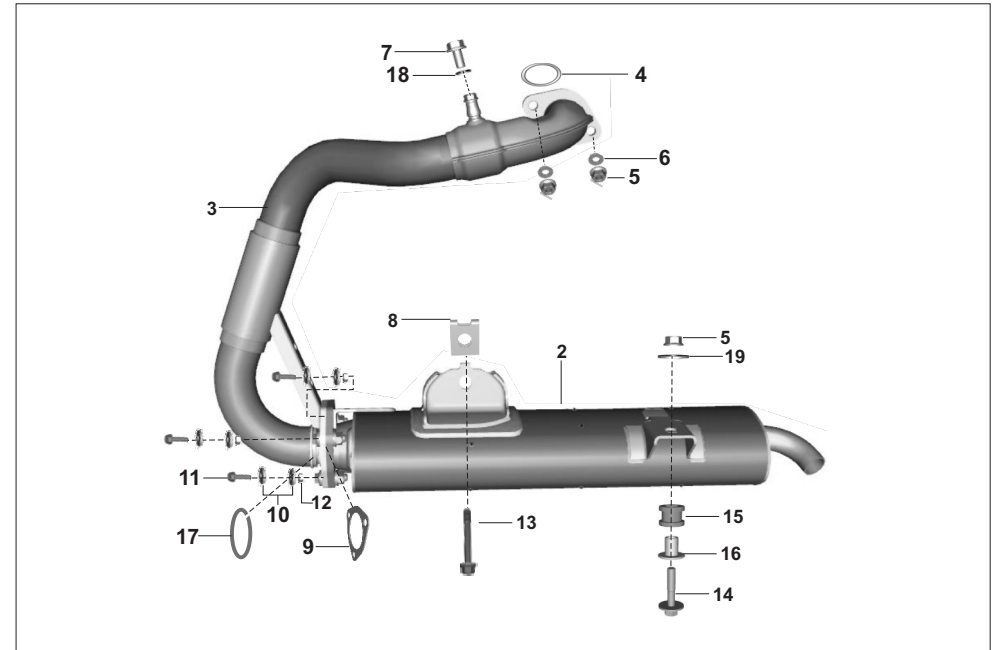
No.	Part No.	Description	Max.Z		Max.		C	Remarks
			RA	AZ	AT	AT1		
1	AF111021	Starter motor assy complete	1	1	1	1		
2	KACC0835	Bolt-socket	2	2	-	-		
2	KACH0835	Bolt socket	-	-	2	2		
3	39020011	Plain washer	2	2	2	2		
4	AA111067	Support bracket assly	1	1	1	1		
5	39194004	Flange bolt - Support bracket	3	3	3	3		
6	39182612	Spring washer	1	1	1	1		
7	39019811	Washer plain	1	1	1	1		
8	AA111049	Grommet for SM bracket.	1	1	1	1		
9	AF111023	Fixing bracket assly (2 bolt)	1	1	1	1		
10	AA111118	Gasket	1	1	1	1		
11	AA111117	Tie bolt	2	2	2	2		
12	AA111081	Intermediate bracket Assly	1	1	1	1		
13	AA111082	Armature assly.	1	1	1	1		
14	AA111094	Gear shaft assly(exend casting)	1	1	1	1		
15	AA111095	Gear shaft unit(exend casting)	1	1	1	1		
16	AA111085	Brush box assly.	1	1	1	1		
17	AA111080	Bracket end cover assly	1	1	1	1		
18	36AA4018	Kit_ stator motor spring	1	1	1	1		Kit-8
19	AB111107	Yoke & magnet assly kit	1	1	1	1		
20	AA111083	Drive assly	1	1	1	1		
21	AA111079	Cover assembly-end cover	1	1	1	1		NI

RA - BAJAJ Maxima Z LPG | AT - BAJAJ Maxima LPG
AZ - BAJAJ Maxima Z CNG | AT1- BAJAJ Maxima CNG



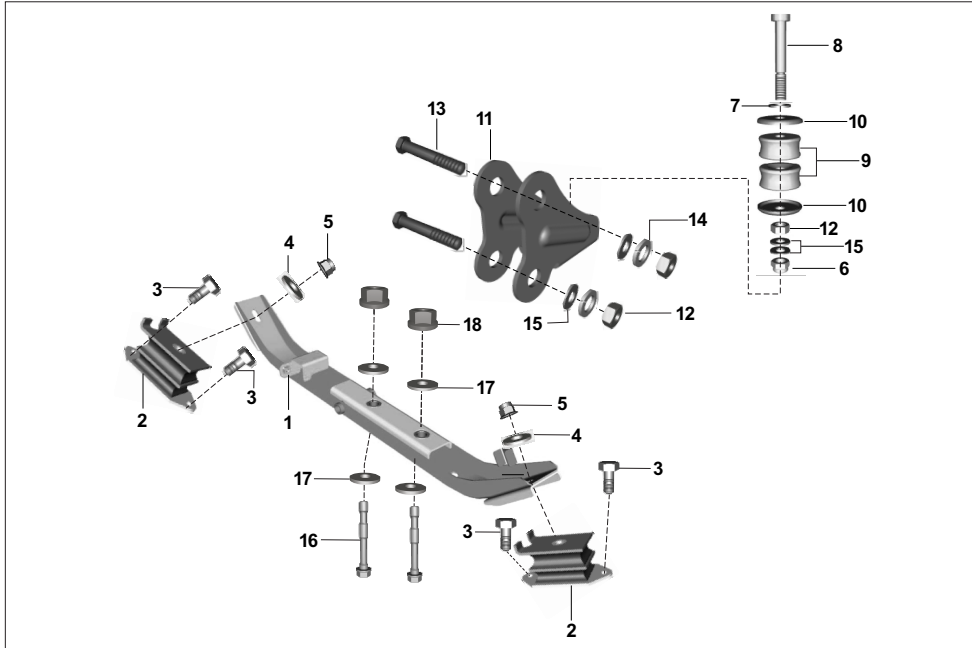
No.	Part No.	Description	Max.Z		Max.		C	Remarks
			RA	AZ	AT	AT1		
1	AA111202	Rotor assembly	1	1	1	1		
2	AA111203	Stator assembly	1	1	1	1		
3	AA101220	Grommet for pickup	1	1	1	1		
4	AP101210	Bolt socket	3	3	3	3		
5	LAC00025	Bolt socket	4	4	4	4		
6	AZ601421	Fan base	1	1	1	1		
7	AZ601403	Fan	1	1	1	1		
8	LAH00001	BOLT WSP	3	3	3	3		
9	AZ351209	Coil ht with cable and cap - LH	1	1	-	-		alt-AZ351210
9	AN111047	Coil ht with cable and cap - LH	-	-	1	1		alt-AN111043
10	RA351204	Coil assembly ignition RH	1	1	-	-		alt-AA111165
10	AT351201	Coil assembly ignition RH	-	-	1	1		alt-AA111166
11	AF111034	Grommet for spark plug cap-LH	1	1	1	1		
12	AA111148	Grommet spark plug LH	1	1	1	1		
13	AF111032	Cap spark plug rh s post	1	1	1	1		
14	AF111031	Cap spark plug lh s post	1	1	1	1		
15	AF111033	Grommet for h. T. Cable	2	2	2	2		
16	AA111201	Magneto assembly	1	1	1	1		
17	AF111035	Grommet for spark plug cap RH	1	1	1	1		
18	AA141067	Clip swivel spacer	1	1	1	1		
19	AU541012	Bracket-magnto hrnss-crankcase	1	1	1	1		

RA - BAJAJ Maxima Z LPG | AT - BAJAJ Maxima LPG
AZ - BAJAJ Maxima Z CNG | AT1- BAJAJ Maxima CNG



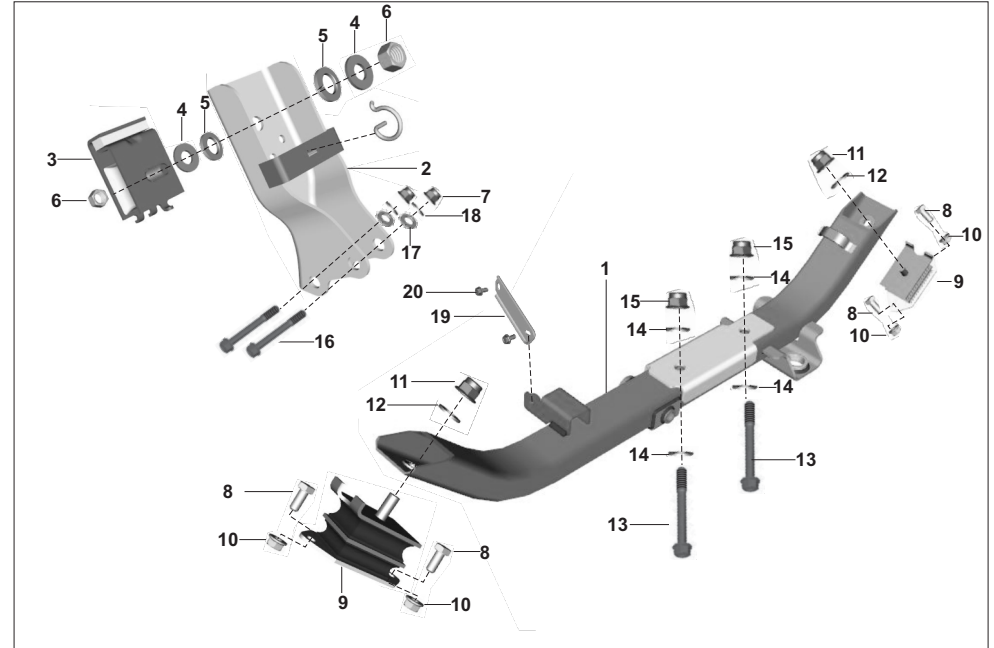
No.	Part No.	Description	Max.Z		Max.		C	Remarks
			RA	AZ	AT	AT1		
1	AM101051	Silencer assy comp.	1	-	1	-		
1	AN101452	Silencer assly complete	-	1	-	1		
2	AM101052	Muffler assly complete	1	-	1	-		
2	AN101453	Muffler assly complete	-	1	-	1		
3	AA101953	Assembly exhaust tube	1	-	1	-		
3	AF101097	Assembly exhaust tube	-	1	-	1		
4	AA102171	Gasket exhaust	1	1	-	-		
4	AZ591064	Gasket exhaust	-	-	1	1		
5	KCGD0808	Nut - hexagon :- M8 X 1.25	3	3	3	3		
6	39118011	Washer - plain	2	2	2	2		
7	KADD0612	Bolt flange CO	1	1	1	1		
8	AA102114	Clip nut	1	1	1	1		
9	JE591002	Gasket silencer	1	1	1	1		
10	LDA00028	Washer plain	6	6	6	6		
11	LAE00045	Bolt flang	3	3	3	3		
12	39229515	Nut hex.	3	3	3	3		
13	LAD00068	Bolt flanged	1	1	1	1		
14	LAG00008	Bolt wp	1	1	1	1		
15	AA102193	Grommet	1	1	1	1		
16	AA102110	Sleeve	1	1	1	1		
17	AA102124	Gasket silencer	1	1	1	1		
18	CM101129	Washer - plain	1	1	1	1		
19	39242411	Plain washer	1	1	1	1		

RA - BAJAJ Maxima Z LPG | AT - BAJAJ Maxima LPG
AZ - BAJAJ Maxima Z CNG | AT1- BAJAJ Maxima CNG



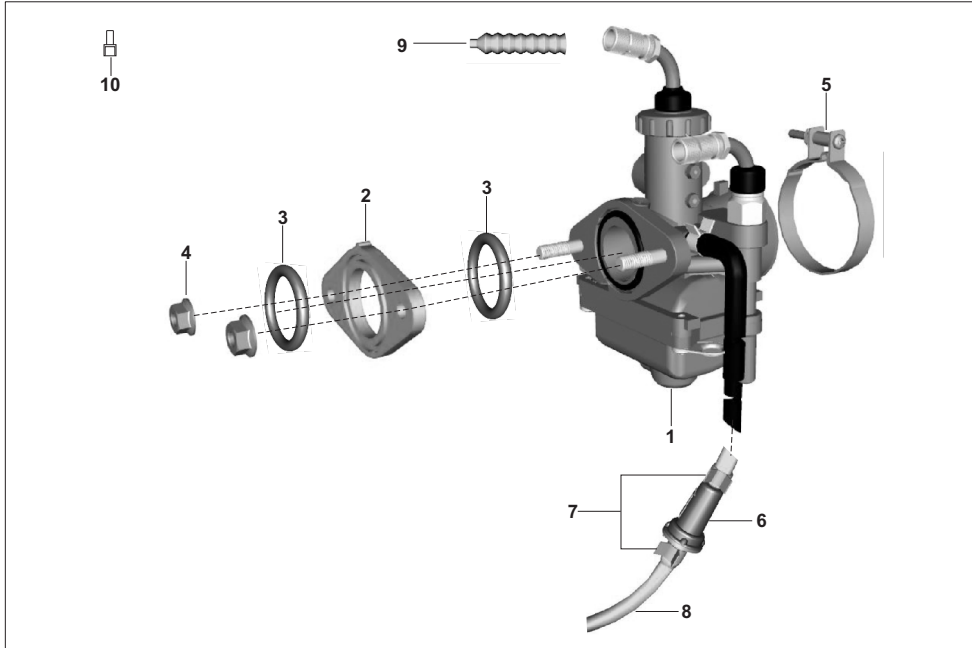
No.	Part No.	Description	Max.Z		Max.		C	Remarks
			RA	AZ	AT	AT1		
1	AZ113415	Member assly engine mounting	1	1	-	-		
2	AA101816	Isolator - rubber	2	2	-	-		
3	39006204	Hexagon hd screw-m6	4	4	-	-		
4	39179211	Washer	2	2	-	-		
5	KCKA0811	Nut nyloc flanged	2	2	-	-		
6	59150012	Nut nyloc m10	1	1	-	-		
7	39025111	Washer plain	1	1	-	-		
8	24161003	Bolt - hexagon	1	1	-	-		
9	24160924	Plug - rubber	2	2	-	-		
10	21160417	Plate - reinforcement	2	2	-	-		
11	AA101194	Bracket - front mounting	1	1	-	-		
12	39029615	Nut - hexagon :- m10	3	3	-	-		
13	39008304	Bolt	2	2	-	-		
14	39182912	Spring washer	2	2	-	-		
15	39024811	Plain washer	5	5	-	-		
16	LAD00164	Bolt - hexagon head :- M10	2	2	-	-		
17	LDB00049	Washer - special	4	4	-	-		
18	LCG00017	Nut hex. Thick	2	2	-	-		

RA - BAJAJ Maxima Z LPG | AT - BAJAJ Maxima LPG
AZ - BAJAJ Maxima Z CNG | AT1- BAJAJ Maxima CNG



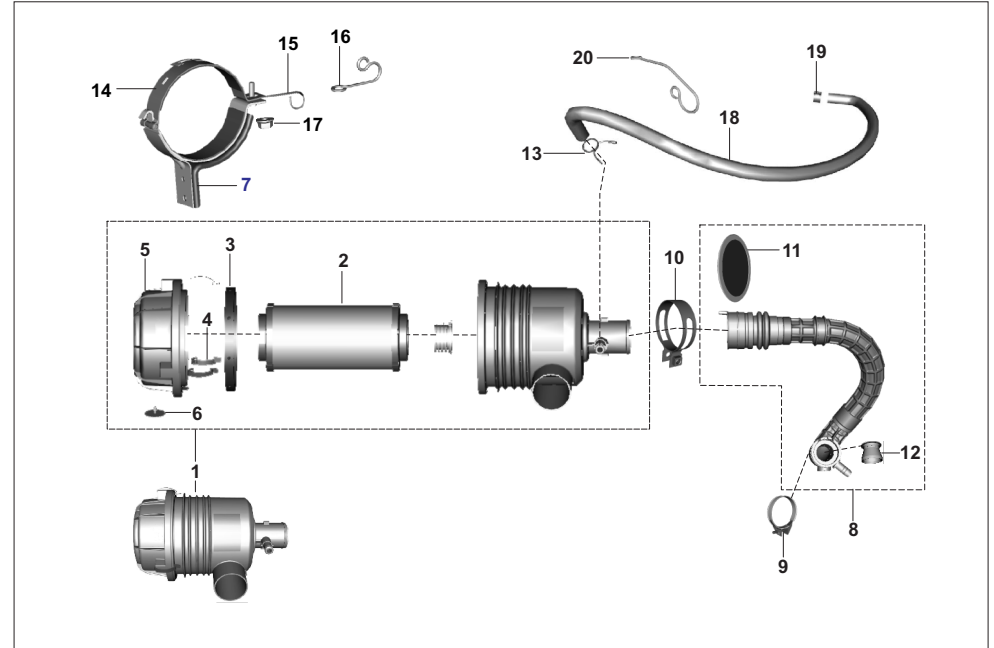
No.	Part No.	Description	Max.Z		Max.		C	Remarks
			RA	AZ	AT	AT1		
1	AN161302	Member assembly-engine mounting	-	-	1	1		Old
1	AN161263	Assembly engine mtg member rear	-	-	1	1		Old
2	AN160912	Bracket engine mounting front	-	-	1	1		Old
2	AN161334	Bracket engine front	-	-	1	1		
3	BH113411	Rubber isolator	-	-	1	1		
4	39071411	Washer plain	-	-	2	2		
5	39182712	Washer - spring	-	-	2	2		
6	39046715	Nut hexagon -M12 X 1.5	-	-	2	2		
7	39029615	Hexagon nut-M10	-	-	2	2		
8	39107901	Screw - hexagon head	-	-	4	4		
9	AA101816	Rubber isolator	-	-	2	2		
10	39079815	Nut hexagon with flange m6	-	-	2	2		
11	KCKA0811	Nut nyloc flanged	-	-	2	2		
12	39179211	Washer	-	-	2	2		
13	LAD00164	Bolt	-	-	2	2		
14	LDB00049	Washer plain	-	-	4	4		
15	LCG00017	Nut hex flange	-	-	2	2		
16	LAD00216	Bolt flanged-M10 (39008304)	-	-	2	2		
17	39182912	Spring washer	-	-	2	2		
18	39024811	Washer - plain	-	-	2	2		
19	AZ571202	Bracket oil cooler 3rd support	1	1	-	-		
19	AZ571230	Bracket support cooler oil	-	-	1	1		
20	LAD00015	Bolt flanged m6x1x14	1	1	1	1		

RA - BAJAJ Maxima Z LPG | AT - BAJAJ Maxima LPG
AZ - BAJAJ Maxima Z CNG | AT1- BAJAJ Maxima CNG



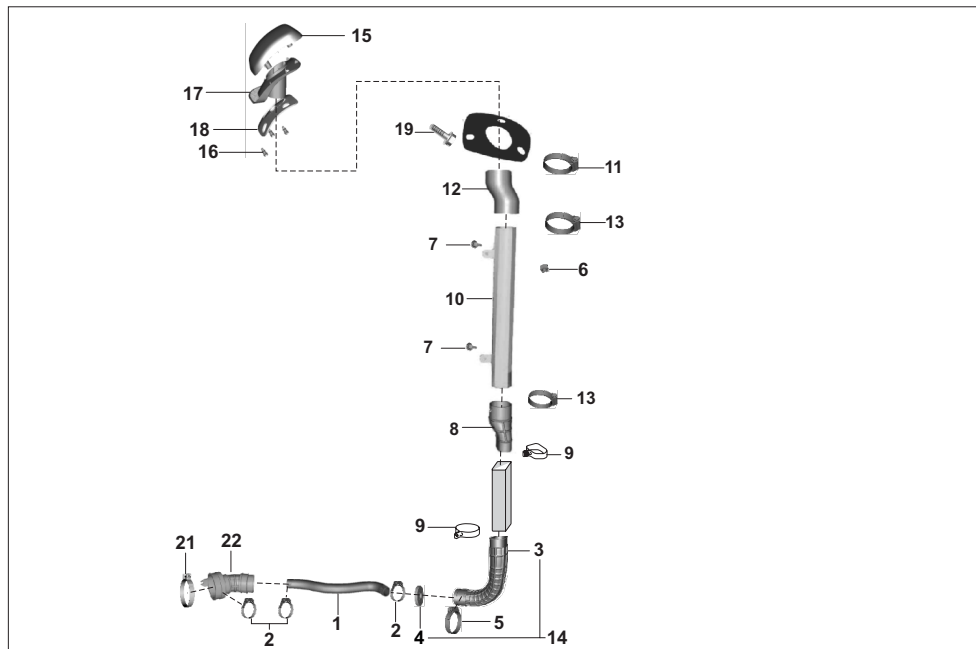
No.	Part No.	Description	Max.Z		Max.		C	Remarks
			RA	AZ	AT	AT1		
1	AZ581224	Carburettor assy	1	1	-	-		
1	AT581205	Carburettor LPG	-	-	1	-		
1	AT581204	Carburettor CNG	-	-	-	1		
2	AA121226	Insulator for manifold	1	1	1	1		
3	LJA00003	O Ring (Insulator)	2	2	2	2		
4	KCGA0606	Nut hex flanged	2	2	2	2		
5	JF581209	Clamp connecting side	1	1	1	1		
6	AF121133	Filter	1	1	1	1		
7	AA141046	Spring band clip 7.8 mm	2	2	2	2		
8	AZ581220	Tube breather II	1	1	1	1		
9	31191032	Boot for accelerator cable	2	2	2	2		
10	24121508	Tube overflow carb.	1	1	1	1		NI
11	24121365	Float assly	1	1	1	1		
12	24121069	Pin float	1	1	1	1		
13	JA581221	Needle valve assly.	1	1	1	1		
14	36RA0006	Jet Kit (AZ581224)	1	1	1	1		Kit-9
15	36RA0004	Piston valve assy kit	1	1	1	1		Kit-10
16	36RA0007	Float body assy kit	1	1	1	1		Kit-11
17	36JZ0016	Idling adjuster kit	1	1	1	1		Kit-12
18	AA141046	Clip spring	1	1	1	1		
19	36AA4099	O-ring and gasket kit	1	1	1	1		Kit-13
20	36AA4100	Starter cable guide assy kit	1	1	1	1		kit-14
21	36RA0005	Pilot screw kit	1	1	1	1		Kit-15
22	JA581223	Mixing cap assly kit	1	1	1	1		

RA - BAJAJ Maxima Z LPG | AT - BAJAJ Maxima LPG
AZ - BAJAJ Maxima Z CNG | AT1 - BAJAJ Maxima CNG



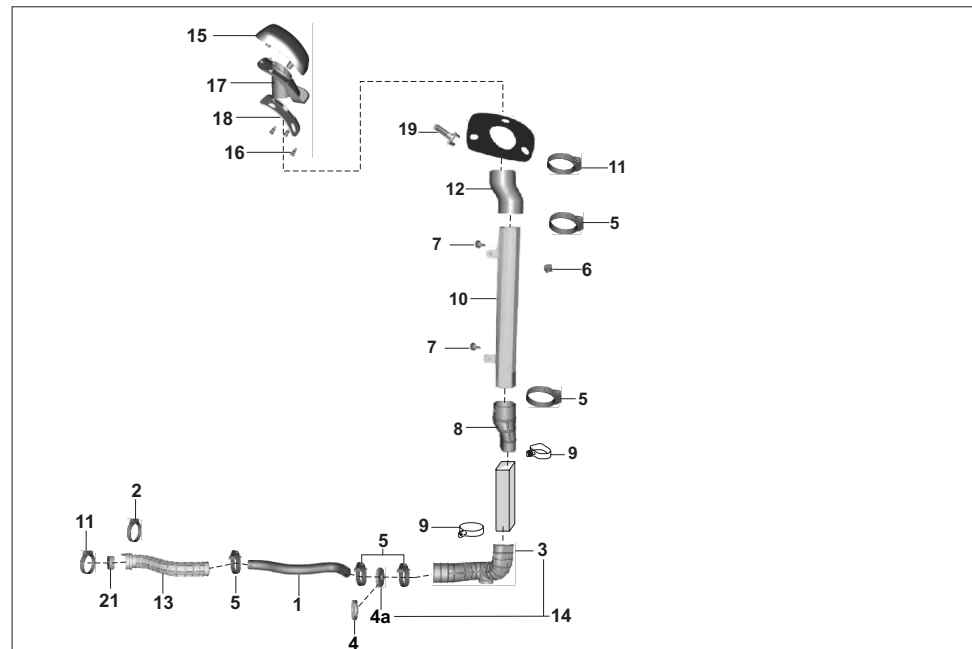
No.	Part No.	Description	Max.Z		Max.		C	Remarks
			RA	AZ	AT	AT1		
1	AF121505	Assly air filter	1	1	1	1		
2	AA121150	Element air filter	1	1	1	1		
3	AA121148	Gasket sealing	1	1	1	1		
4	AA121149	Clip air filter	3	3	3	3		
5	AA121193	Cover air filter assly	1	1	1	1		
6	AA121147	Valve dust ejector	1	1	1	1		
7	RC113801	Assly air filter clamp	1	1	1	1		
8	RA581015	Assly duct integral complete	1	-	1	-		
8	RA581012	Assly complete integral duct	-	1	-	1		
9	JF581209	Clamp connecting side duct	1	1	1	1		
10	JU581006	Clamp connecting tube	1	1	1	1		
11	AZ581009	Arrester back fire	1	1	1	1		
12	AM121077	Mixer tube (nylon).	1	-	1	-		
12	AZ581039	Venturi od 32 ID 23.8	-	1	-	1		
13	24121477	Clamp sai tubes	1	1	1	1		
14	BG581006	Clamp air filter	1	1	1	1		
15	AZ171840	Hook	1	1	-	-		
16	AA141090	Hook	-	-	1	1		
17	KCGD0808	Nut - hexagon with flange - m8	1	1	1	1		
18	AZ581047	Tube breather	1	1	1	1		
19	24121476	Spring	1	1	1	1		
20	AA102154	Hook engine breather tube	1	1	1	1		

RA - BAJAJ Maxima Z LPG | AT - BAJAJ Maxima LPG
AZ - BAJAJ Maxima Z CNG | AT1 - BAJAJ Maxima CNG



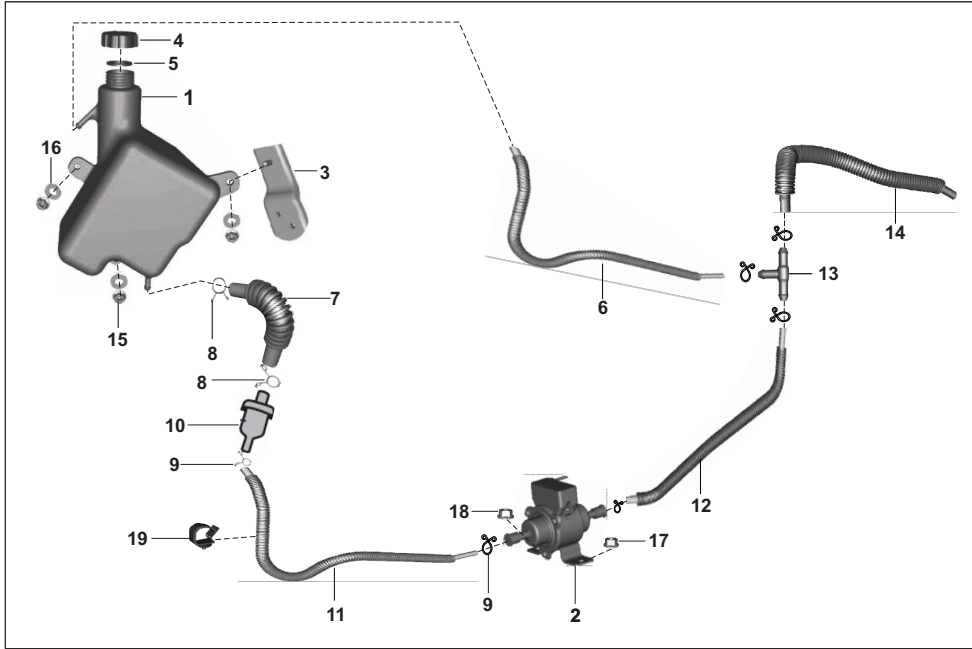
No.	Part No.	Description	Max.Z		Max.		C		Remarks
			RA	AZ	AT	AT1	AN		
1	AZ581034	Pipe air filter inlet	1	1	-	-			
2	DG101263	Clamp	3	3	-	-			
3	AZ581076	Elbow rubber	1	1	-	-			
4	AN101448	Insert restrictor - elbow	1	1	-	-			
5	AZ581024	Clip duct air body	1	1	-	-			
6	BH581010	Clip elbow lower end	1	1	-	-			
7	KADE0612	Bolt - flanged	2	2	-	-			
8	BH581024	Elbow rubber upper	1	1	-	-			
9	BH581010	Clip elbow lower end	2	2	-	-			
10	AZ581018	Pipe air intake upper	1	1	-	-			
11	31121041	Clamp	1	1	-	-			
12	BH581025	Elbow rubber top	1	1	-	-			
13	24170431	Clip - hose	2	2	-	-			
14	AZ581075	Assembly elbow rubber	1	1	-	-			
15	AZ185001	Grill air intake snorkel top	1	1	-	-			
16	JG581015	Insert (M6*1)	3	3	-	-			
17	AZ185002	Grill air intake snorkel BTM	1	1	-	-			
18	AZ185003	Packing snorkel cover UG	1	1	-	-			
19	KADE0620	bolt	3	3	-	-			
20	KAED0618	Bolt-flanged-small	1	1	-	-			
21	31121041	Clamp	1	1	-	-			
22	AZ581032	Assly bellow pipe a/f inlet	1	1	-	-			

RA - BAJAJ Maxima Z LPG | AT - BAJAJ Maxima LPG
AZ - BAJAJ Maxima Z CNG | AT1- BAJAJ Maxima CNG



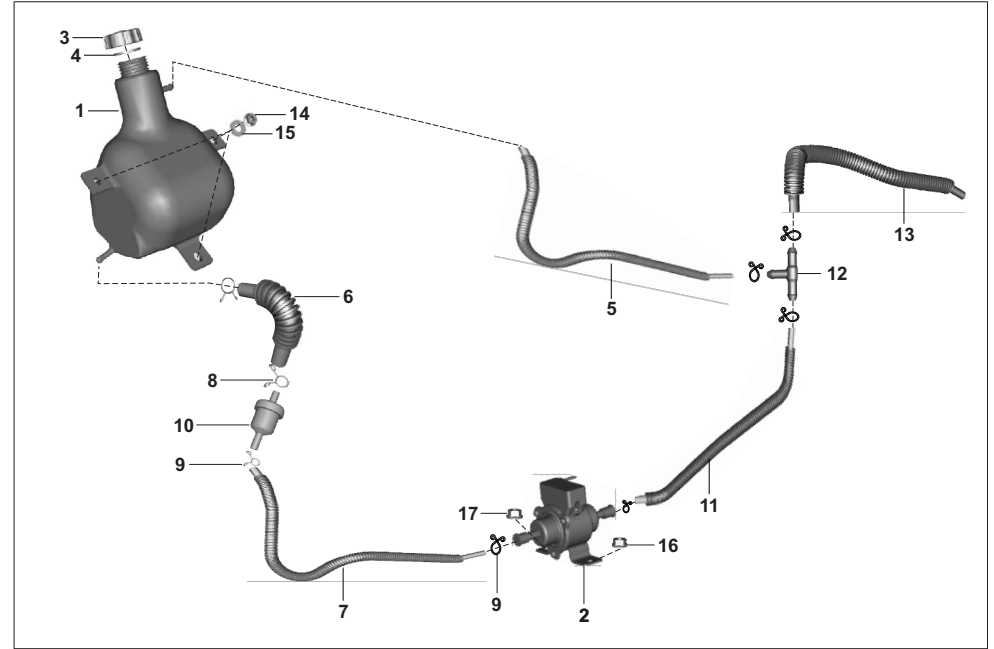
No.	Part No.	Description	Max.Z		Max.		C		Remarks
			RA	AZ	AT	AT1	AN		
1	AT581048	Pipe inlet-A	-	-	1	1			
2	DG101263	Clamp	-	-	1	1			
3	BB103419	Elbow assembly bottom	-	-	1	1			
4	AT581062	Insert elbow	-	-	1	-			
4a	AN101448	Insert restrictor - elbow	-	-	-	1			
5	24170431	Hose clip	-	-	5	5			
6	BH581010	Clip elbow lower end	-	-	1	1			
7	KADE0612	Bolt - flanged	-	-	2	2			
8	BB121107	Rubber elbow lower end	-	-	1	1			
9	BH581010	Clip elbow lower end	-	-	2	2			
10	AZ581018	Pipe air intake upper	-	-	1	1			
11	31121041	Clamp	-	-	1	1			
12	BB121108	Rubber elbow top end	-	-	1	1			
13	AT581057	Elbow rubber-air filter inlet	-	-	1	1			
14	AT581061	Elbow assembly	-	-	-	1			
14	AT581051	Elbow assembly	-	-	-	1			
15	BH185001	Grill air intake snorkel top	-	-	1	1			
16	JG581015	Insert (M6*1)	-	-	3	3			
17	BH185002	Grill air intake snorkel bottom	-	-	1	1			
18	BH185003	Packing snorkel	-	-	1	1			
19	KADF0620	Bolt flanged	-	-	3	3			
20	KADD0612	Bolt flanged	-	-	2	-			
20	KADF0612	Bolt flanged	-	-	-	2			
21	AT581064	Insert restrictor elbow	-	-	1	-			
21	AT581059	Insert restrictor-bellow inlet	-	-	-	1			

RA - BAJAJ Maxima Z LPG | AT - BAJAJ Maxima LPG
AZ - BAJAJ Maxima Z CNG | AT1- BAJAJ Maxima CNG



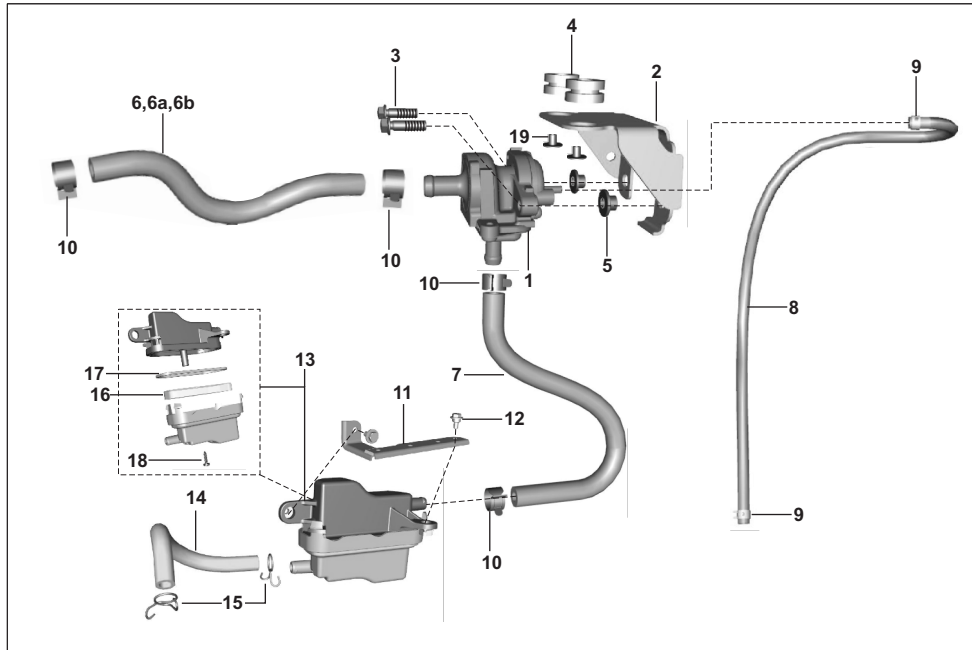
No.	Part No.	Description	Max.Z		Max.		C		Remarks
			RA	AZ	AT	AT1	AN		
1	AZ171839	Assembly tank fuel limphome ug	1	1	-	-	-	-	
2	AL201034	Pump assembly - fuel	1	1	-	-	-	-	
3	AZ171009	Assly sup bkt limp home tank	1	1	-	-	-	-	
4	AZ171006	Assembly cap fuel tank ug	1	1	-	-	-	-	
5	CS141005	Washer cap fuel tank	1	1	-	-	-	-	
6	AZ171822	Assembly pipe fuel return ug	1	1	-	-	-	-	
7	AZ171819	Assembly pipe fuel tank to filtr	1	1	-	-	-	-	
8	33141007	Clamp	4	4	-	-	-	-	
9	33141008	Clamp	6	6	-	-	-	-	
10	DD121013	Filter - Fuel	1	1	-	-	-	-	
11	AZ171820	Assembly pipe fuel filtr to pump	1	1	-	-	-	-	
12	AZ171821	Assembly pipe fuel pump to t jnt	1	1	-	-	-	-	
13	AZ171811	Joint T	1	1	-	-	-	-	
14	AZ171827	Assly pipe t joint to carburettor	1	1	-	-	-	-	
15	KCGA0606	Nut hex flanged	3	3	-	-	-	-	
16	KDBA0818	Washer_plain	3	3	-	-	-	-	
17	KCGD0606	Nut hex flanged	1	1	-	-	-	-	
18	KCGD0808	Nut hex flanged	1	1	-	-	-	-	
19	BF172126	Clamp hose CNG	1	1	-	-	-	-	

RA - BAJAJ Maxima Z LPG | AT - BAJAJ Maxima LPG
AZ - BAJAJ Maxima Z CNG | AT1- BAJAJ Maxima CNG



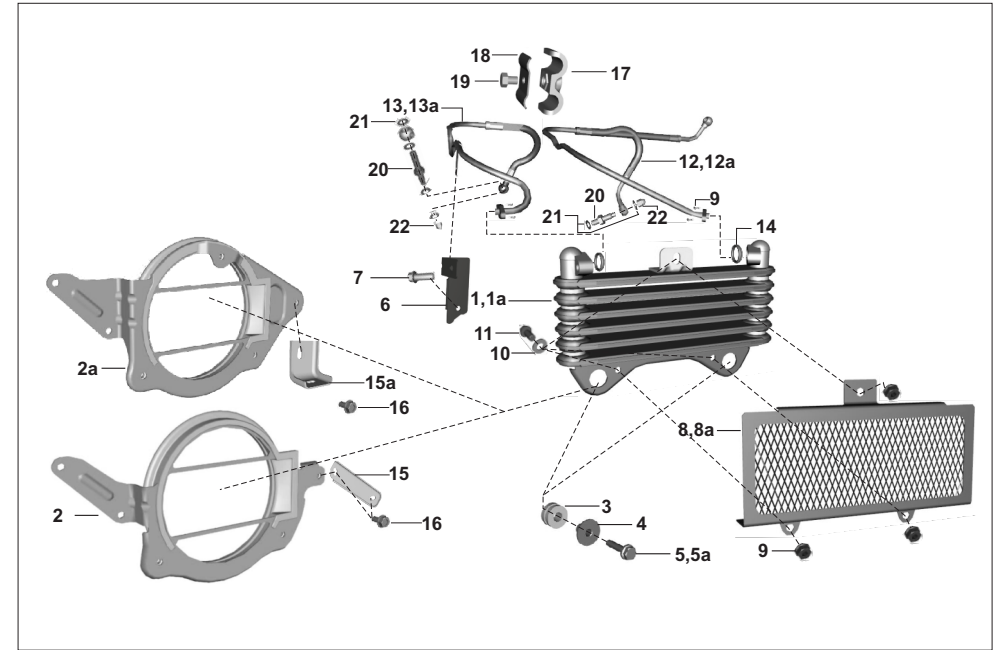
No.	Part No.	Description	Max.Z		Max.		C		Remarks
			RA	AZ	AT	AT1	AN		
1	AT171013	Tank assembly limp home	-	-	1	1	-	-	
2	AL201034	Pump assembly - fuel	-	-	1	1	-	-	
3	AZ171006	Assembly cap fuel tank	-	-	1	1	-	-	
4	CS141005	Washer cap fuel tank	-	-	1	1	-	-	
5	AT172068	Pipe assembly-fuel return	-	-	1	1	-	-	
6	AZ171803	Pipe fuel tank to filter	-	-	1	1	-	-	
7	AT172062	Pipe assly-fuel filter to pump	-	-	1	1	-	-	
8	33141007	Clamp	-	-	4	4	-	-	
9	33141008	Clamp	-	-	6	6	-	-	
10	DD121013	Filter - Fuel	-	-	1	1	-	-	
11	AZ171821	Assembly pipe fuel pump to t jnt	-	-	1	1	-	-	
12	AZ171811	Joint T	-	-	1	1	-	-	
13	AT172056	Pipe asly-t joint to carburattor	-	-	1	1	-	-	
14	KCGA0606	Nut hex flanged	-	-	3	3	-	-	
15	DP101153	Plain washer	-	-	3	3	-	-	
16	KCGD0606	Nut hex flanged	-	-	1	1	-	-	
17	KCGD0808	Nut hex flanged	-	-	1	1	-	-	

RA - BAJAJ Maxima Z LPG | AT - BAJAJ Maxima LPG
AZ - BAJAJ Maxima Z CNG | AT1- BAJAJ Maxima CNG



No.	Part No.	Description	Max.Z		Max.		C		Remarks
			RA	AZ	AT	AT1	AN		
1	PD582200	Unit sai	1	1	1	1	1		
2	AZ582200	Bracket for sai unit mtg	1	1	1	1	1		
3	KAED0620	Bolt-flange	2	2	2	2	2		
4	DG141019	Damper	2	2	2	2	2		
5	PA111250	Coll special	2	2	2	2	2		
6	AZ582400	Tube sai inlet-1	1	1	-	-	-		
6	AT581054	Tube sai inlet	-	-	1	1	1		
7	AA121282	Tube s.a.i. Outlet	1	1	1	1	1		
8	AA121291	Tube vacuum	1	1	1	1	1		
9	24121333	Clip for vacuum hose	2	2	2	2	2		
10	24121476	Spring clamp dia. 16.8 x W12	4	4	4	4	4		
11	AA102151	Bracket sai filter mounting	1	1	1	1	1		
12	DS161224	Bolt - stepped with flange	2	2	2	2	2		
13	JE582604	Assembly sai filter D106A	1	1	1	1	1		
14	AN121242	Tube -inlet-sai filter	1	1	1	1	1		
15	DG121040	Clamp	2	2	2	2	2		
16	JE582603	Foam sai filter D106A	1	1	1	1	1		
17	JE582602	Ring o sai filter D106A	1	1	1	1	1		
18	KBRA4819	Screw tapping pan cross	1	1	1	1	1		
19	30211005	Collar	2	2	2	2			

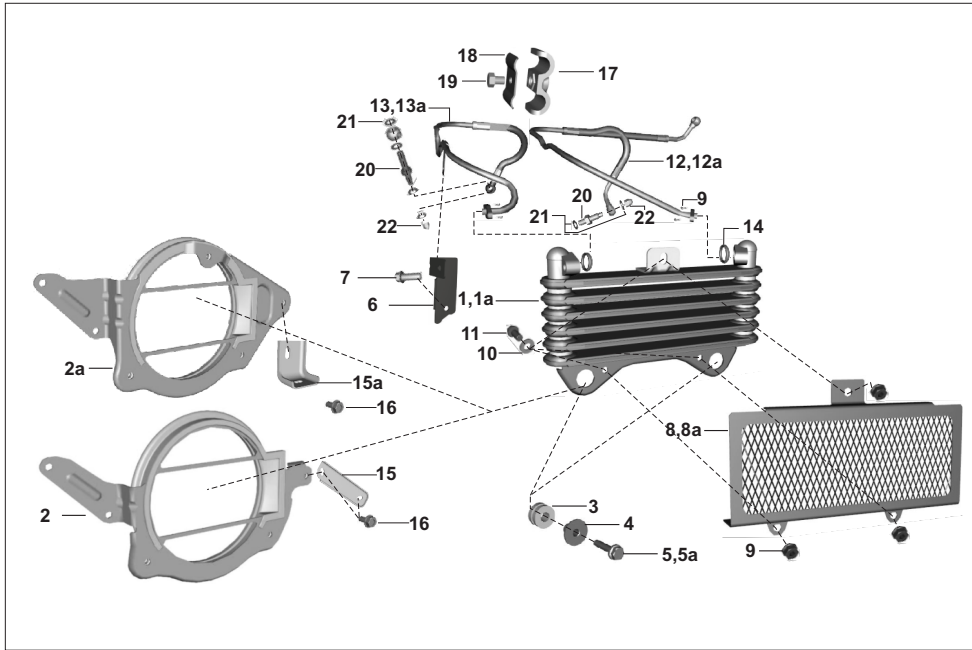
RA - BAJAJ Maxima Z LPG | AT - BAJAJ Maxima LPG
AZ - BAJAJ Maxima Z CNG | AT1- BAJAJ Maxima CNG



No.	Part No.	Description	Max.Z		Max.		C		Remarks
			RA	AZ	AT	AT1	AN		
1	Az571211	Oil cooler	1	1	-	-	-		old
1a	Az571226	Oil cooler	1	1	1	1	-		new
2	AZ571200	Bracket oil cooler mtg with bellow	1	1	1	1	-		old
2a	AZ571228	Bracket assly cooler oil	1	1	1	1	-		new
3	AZ571212	Grommet	2	2	2	2	-		
4	AZ571213	Collar	2	2	2	2	-		
5	39155304	Bolt flanged M6x1x14	3	3	3	3	-		old
5a	39167504	Bolt flanged	3	3	3	3	-		new
6	AN101334	Bracket support-oil tube	1	1	1	1	-		
7	39167204	Bolt - Flange :- M6 X 16	6	6	6	6	6		-
8	AZ571218	Guard cooler oil	1	1	-	-	-		old
8a	AZ571227	Guard cooler oil	1	1	1	1	-		new
9	39163015	Nut - hexagon with flange	3	3	3	3	-		
10	39021911	Washer plain	3	3	3	3	-		
11	KAEA0612	Bolt-flanged-small	3	3	3	3	-		
12	AZ571214	Pipe assembly oil hot	1	1	-	-	-		old
12a	AZ571219	Pipe assembly oil hot	1	1	1	1	-		new
13	AZ571215	Pipe assembly oil cool	1	1	-	-	-		old
13a	AZ571220	Pipe assembly oil cool	1	1	1	1	-		new
14	DK101340	'O' Ring (oil cooler pipe)	2	2	2	2	-		
15	AZ571202	Bracket for oil cooler mtg	1	1	-	-	-		old
15a	AZ571230	Bracket for oil cooler mtg	1	1	1	1	-		new

RA - BAJAJ Maxima Z LPG | AT - BAJAJ Maxima LPG
AZ - BAJAJ Maxima Z CNG | AT1- BAJAJ Maxima CNG

4Stroke- BS4 (236 cc)

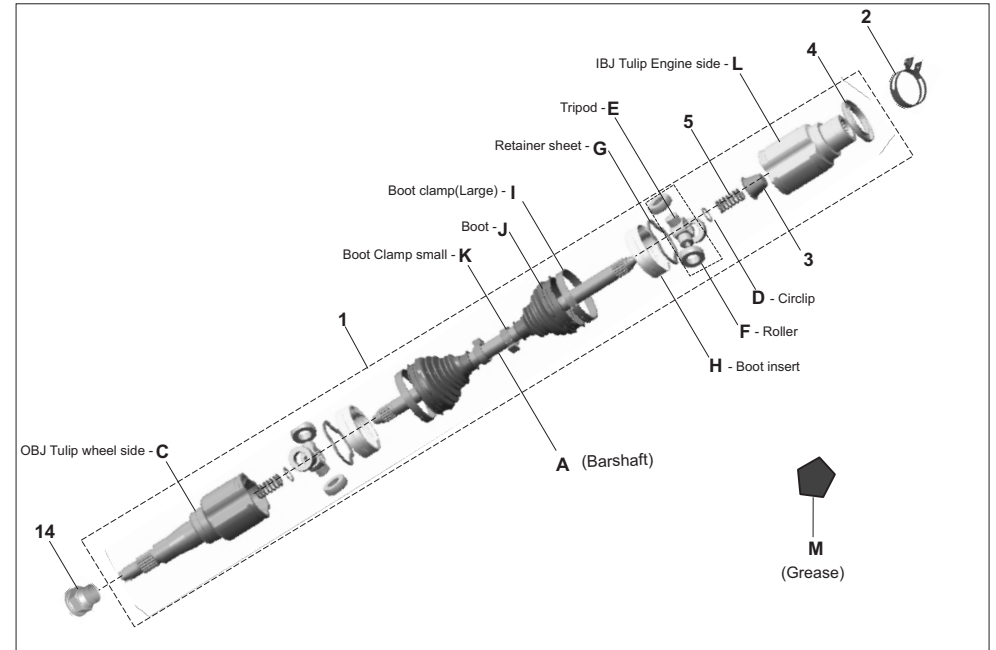


No.	Part No.	Description	Max.Z		Max.		C		Remarks
			RA	AZ	AT	AT1	AN		
16	KADD0612	Bolt flanged	2	2	2	2	-		
17	DK101277	Bracket upper (oil cooler pipe)	2	2	2	2	-		
18	DK101278	Bracket lower (oil cooler pipe)	2	2	2	2	-		
19	LAE00019	Bolt flanged M5x0.8px8l	2	2	2	2	-		
20	AA101826	Connector -oil supply	2	2	2	2	-		
21	DK101237	Washer copper	6	6	6	6	-		
22	AN101113	Nut -domed Cap	2	2	2	2	-		

RA - BAJAJ Maxima Z LPG | AT - BAJAJ Maxima LPG
AZ - BAJAJ Maxima Z CNG | AT1- BAJAJ Maxima CNG

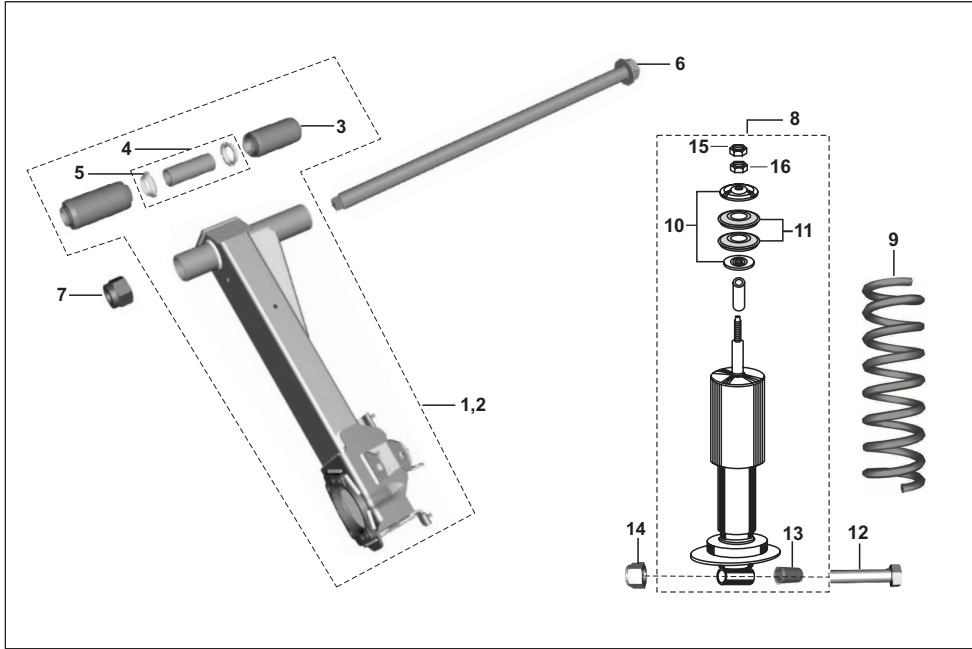
PLATE NO. 31 :CV SHAFT

4Stroke- BS4 (236 cc)



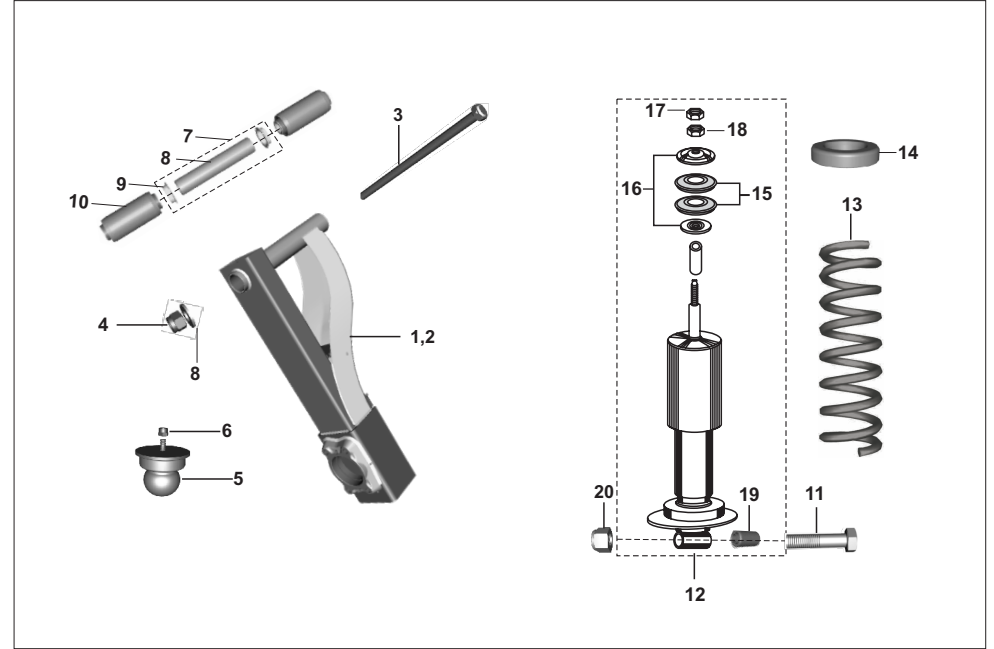
No.	Part No.	Description	Max.Z		Max.		C		Remarks
			RA	AZ	AT	AT1	AN		
1	AZ141221	Assembly drive shaft	2	2	-	-			
1	AN101407	Drive shaft assembly	-	-	2	2			
2	BH551800	Clip lock drive shaft	2	2	2	2			
3	BH551420	Plug	1	1	1	2			
4	BH551421	Dustshield	1	1	1	1			
5	BH551409	Spring	2	2	2	2			
6	36BH0036	Kit boot- all ktek	4	4	4	4			J,I,K,M Kit-16
7	36BH0037	Kit Boot & Retainer ktek	4	4	4	4			J,I,K,M,G,H Kit-17
8	36BH0008	kit OBJ max	2	2	2	2			C,I,K,M Kit-18
9	36BH0010	Kit OBJ & tripod max	2	2	2	2			C,I,K,M,E,F,D Kit- 19
10	36BH0030	Kit IBJ	2	2	2	2			L,I,K,M Kit-20
11	36BH0031	Kit IBJ & Tripod	2	2	2	2			L,I,K,M,E,F,D(new)k-21
12	36AZ0023	Kit barshaft ktek	2	2	-	-			A,D,I,K(new) Kit-22
12	36AN0028	Kit barshaft an101419	-	-	2	2			Kit-23
13	36BH0019	Kit roller	2	2	2	2			Kit-24
14	BF131707	Nut axle M16	2	2	2	2			

RA - BAJAJ Maxima Z LPG | AT - BAJAJ Maxima LPG
AZ - BAJAJ Maxima Z CNG | AT1- BAJAJ Maxima CNG



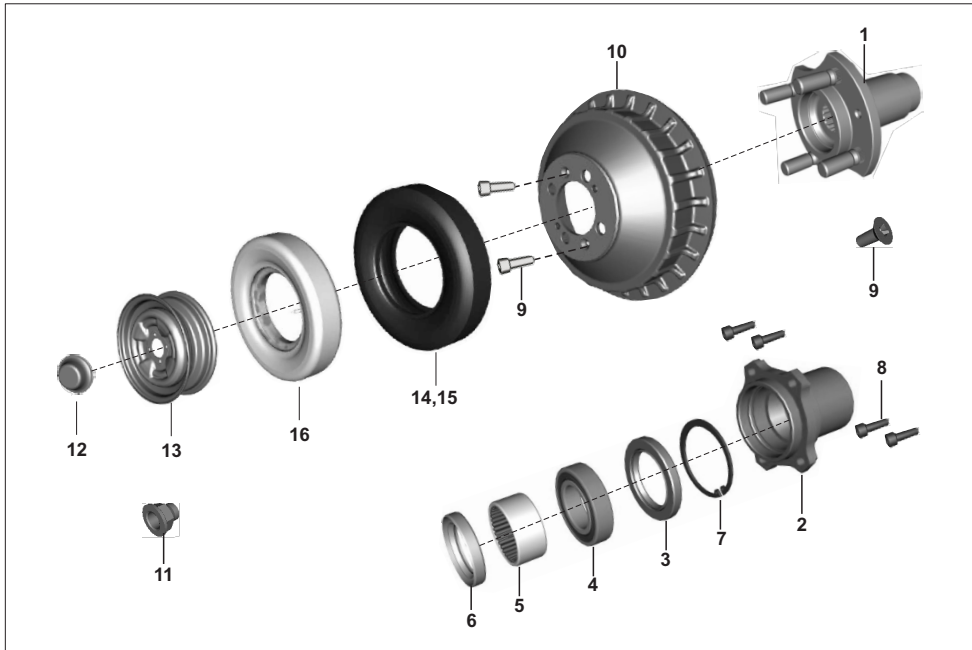
No.	Part No.	Description	Max.Z		Max.		C	Remarks
			RA	AZ	AT	AT1		
1	BH122040	Assembly trailing arm RH	1	1	-	-		
2	BH122039	Assembly trailing arm LH	1	1	-	-		
3	AZ122005	Bush silent ta	4	4	-	-		
4	AZ122007	Assembly dist piece ta tube	2	2	-	-		
5	BH122028	Spacer ring ta igus	4	4	-	-		
6	AZ122016	Bolt flanged	2	2	-	-		
7	KCHA1417	Nut -nyloc :- M14 X 1.5	2	2	-	-		
8	AZ122008	Shockabsorber rear susp	2	2	-	-		
9	AZ122009	Spring rear susp	2	2	-	-	-	
10	BA171008	Cup washer top side	4	4	-	-	-	
11	BA171007	Rubber bush - cup washer	4	4	-	-	-	
12	24170507	Bolt	2	2	-	-	-	
13	BB171036	Bush rr shocker pre compressed	2	2	-	-	-	
14	39260715	Nut ylock	2	2	-	-	-	
15	KCBD1006	Nut hex thin	2	2	-	-	-	
16	KCAD1008	Nut hex thick	2	2	-	-	-	

RA - BAJAJ Maxima Z LPG | AT - BAJAJ Maxima LPG
AZ - BAJAJ Maxima Z CNG | AT1- BAJAJ Maxima CNG



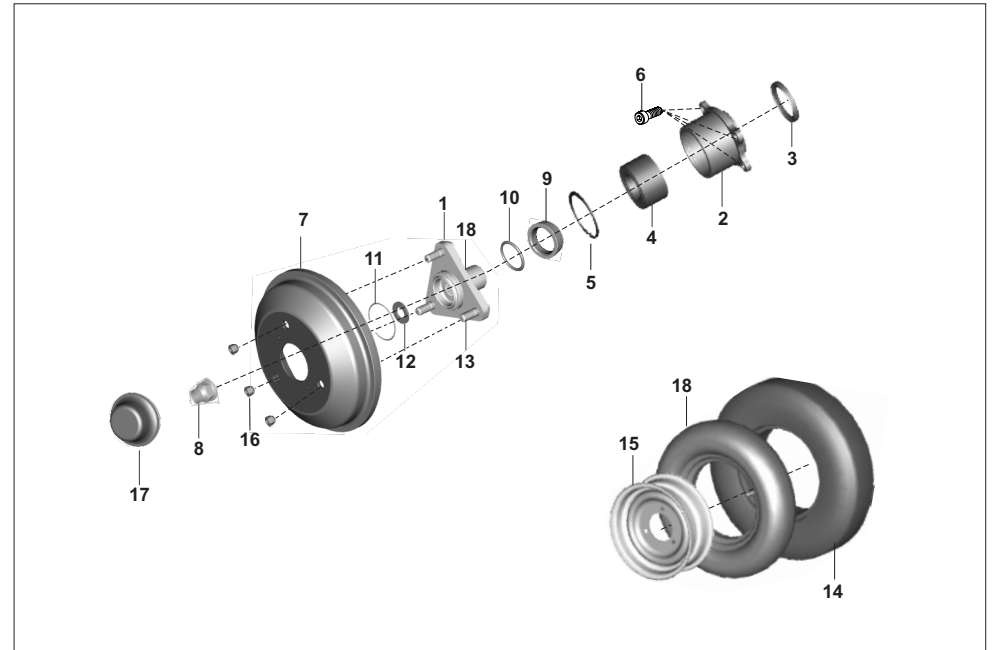
No.	Part No.	Description	Max.Z		Max.		C	Remarks
			RA	AZ	AT	AT1		
1	BB171051	Arm assembly trailing-LH	-	-	1	1		
2	BB171052	Arm assembly trailing-RH	-	-	1	1		
3	AL171158	Bolt trailing arm pivot	-	-	2	2		
4	KCHA1417	Nut -nyloc :- M14 X 1.5 - LL	-	-	2	2		
5	AL171017	Damper rubber-rear suspension	-	-	2	2		
6	39069015	Nut - nyloc - M8	-	-	2	2		
7	BB171055	Piece assembly distance-ta	-	-	1	1		
8	BB171056	Piece distance trailing arm	-	-	1	1		
9	BH122028	Spacer ring ta igus	-	-	2	2		
10	AZ122005	Bush silent ta ug	-	-	2	2		
11	24170507	Bolt for shock absorber	-	-	2	2		
12	AL171138	Rear shock absorber	-	-	2	2		
13	BB171038	Spring rear suspension	-	-	2	2		
14	AL171150	Rubber seat spring rear	-	-	2	2		
15	BA171007	Rubber bush with cup washer	-	-	4	4		
16	BF122056	Rebound washer	-	-	2	2		
17	KCAD1008	Nut hex thick	-	-	2	2		
18	KCBD1006	Nut hex thin	-	-	2	2		
19	BB171036	Bush	-	-	2	2		
20	39260715	Nut - nyloc- m12 x 1.5	-	-	2	2		

RA - BAJAJ Maxima Z LPG | AT - BAJAJ Maxima LPG
AZ - BAJAJ Maxima Z CNG | AT1- BAJAJ Maxima CNG



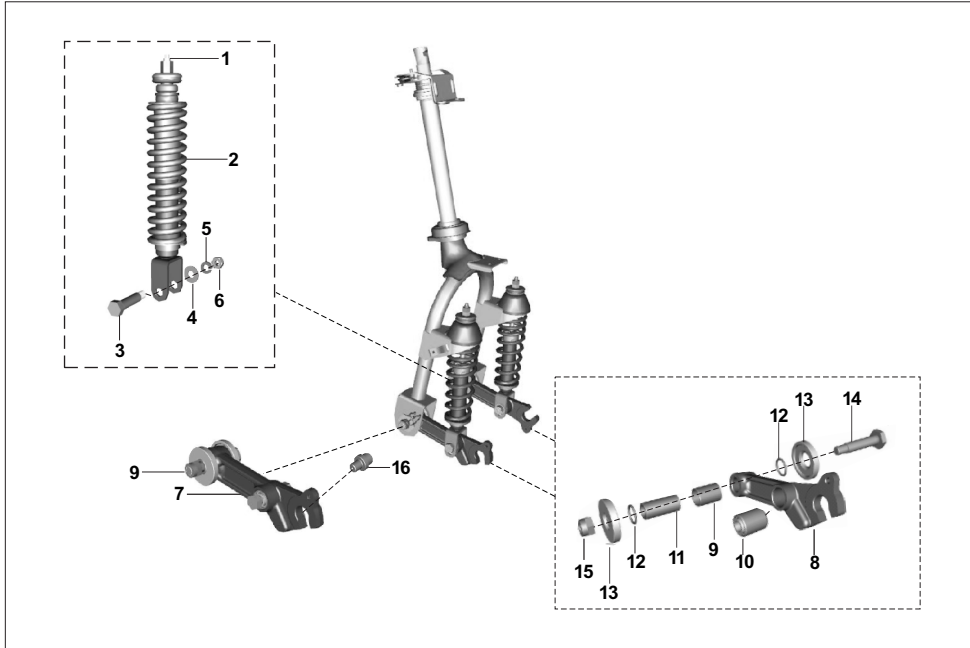
No.	Part No.	Description	Max.Z		Max.		C	Remarks
			RA	AZ	AT	AT1		
1	BH131217	Assembly drive flange	2	2	-	-		
2	BH131220	Hub rear	2	2	-	-		
3	BF131723	Seal 41x60x7	2	2	-	-		
4	BF131722	Bearing 30X55X13-Rear Hub	2	2	-	-		
5	59200012	Bearing - needle (SL 35 20)	2	2	-	-		
6	22171007	Seal - oil	2	2	-	-		
7	KEBB5520	Internal circlip	2	2	-	-		
8	LAC00035	Bolt-socket-m8	8	8	-	-		
9	KBCA0614	Screw csk cross	4	4	-	-		
10	BH131023	Drum brake	2	2	-	-		
11	BF131707	Nut axle M16	2	2	-	-		
12	BH131206	Cap hub rear FL	1	1	-	-		
13	AZ131004	Assembly wheel rim	4	4	-	-		
14	BH131010	Tyre with tube 6-pr	4	4	-	-		
15	BH131009	Tyre with tube 6-pr	4	4	-	-		
16	BF131428	Tube 4.00D x 10	4	4	-	-		

RA - BAJAJ Maxima Z LPG | AT - BAJAJ Maxima LPG
AZ - BAJAJ Maxima Z CNG | AT1 - BAJAJ Maxima CNG



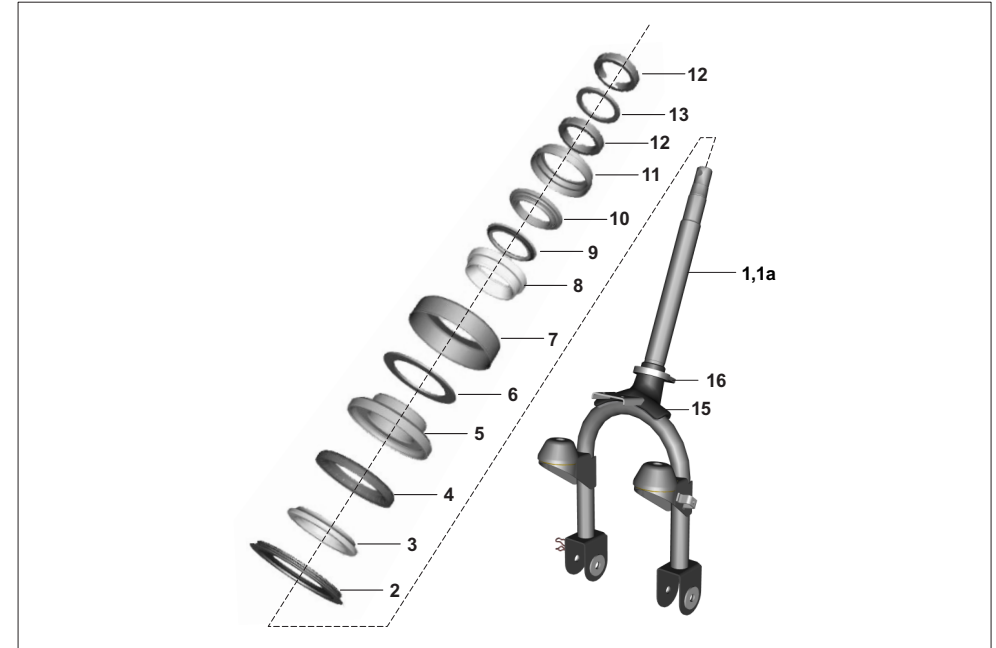
No.	Part No.	Description	Max.Z		Max.		C	Remarks
			RA	AZ	AT	AT1		
1	AL151249	Assly drive flange	-	-	2	2		
2	BB151030	Rear hub	-	-	2	2		
3	BB151034	Seal	-	-	2	2		
4	BB151031	Bearing 30X55X13-rear hub	-	-	2	2		
5	KEBB6825	Circlip	-	-	2	2		
6	LAC00044	Bolt - Socket - M-8	-	-	8	8		
7	AL151242	Drum brake rear	-	-	2	2		
8	BF131707	Nut axle M16	-	-	2	2		
9	BB133066	Sleeve drive shaft	-	-	2	2		
10	KJAA3035	O ring	-	-	2	2		
11	AL151254	Circlip for AL151151	-	-	2	2		
12	KDBA1632	Washer plain	-	-	2	2		
13	AL171066	Bolt for axle	-	-	6	6		
14	AL151017	Tyre with tube 4.5 x 10	-	-	4	4		
15	AL151246	Assly rim	-	-	4	4		
16	AL151252	Nut conical m12 wheel nut	-	-	9	9		
17	BH131206	Cap hub rear	-	-	2	2		
18	AL151019	Tube	-	-	1	1		

RA - BAJAJ Maxima Z LPG | AT - BAJAJ Maxima LPG
AZ - BAJAJ Maxima Z CNG | AT1 - BAJAJ Maxima CNG



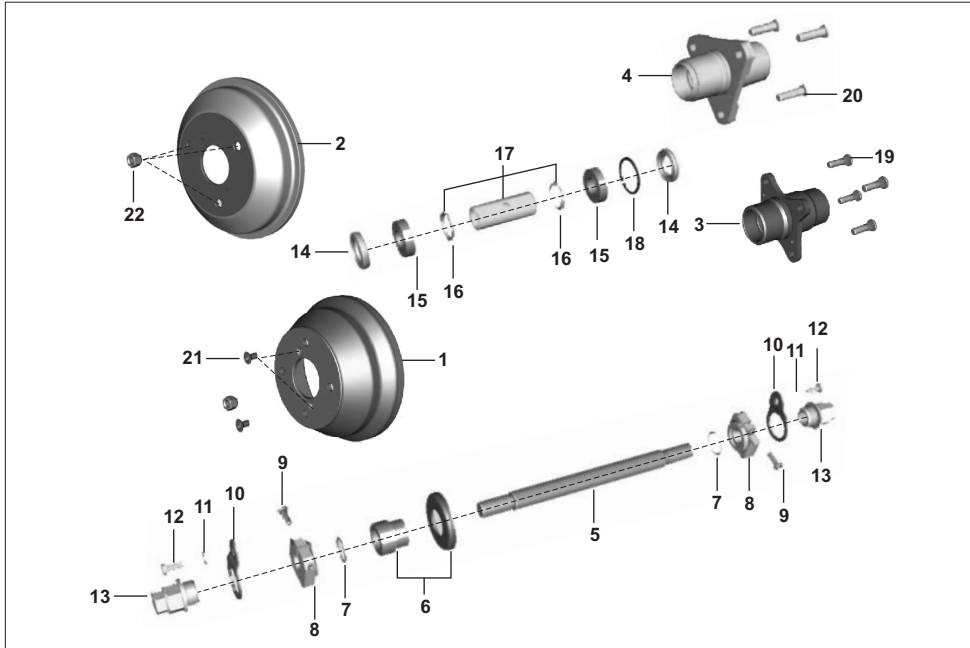
No.	Part No.	Description	Max.Z		Max.		C		Remarks
			RA	AZ	AT	AT1	AN		
1	BH121004	Assly front damper	2	2	-	-			
1	AL171139	Assly front shockabsorber	-	-	2	2			
2	BH121005	Spring Fr. suspension	2	2	-	-			
2	AL171045	Spring r 4fr. Susp.	-	-	2	2			
3	39251604	Shoulder bolt	2	2	2	2			
4	39105411	Plain washer	2	2	2	2			
5	39 078912	Spring washer	2	2	2	2			
6	39029615	Hexagon Nut	2	2	2	2			
7	AL171093	Link-RH assly	1	1	1	1			
8	AL171091	Link-LH assly	1	1	1	1			
9	AL171095	Bearing sleeve-Igus bush	2	2	2	2			
10	AB171016	Bush	2	2	2	2			
11	AL171081	Bush link pivot	2	2	2	2			
12	39156421	"O" Ring	4	4	-	-			
12	LJA00025	O Ring fr.15.05.2018	4	4	4	4			
13	AL171104	Cap link pivot	4	4	4	4			
14	AL171051	Bolt for link pivot	2	2	2	2			
15	39093915	Hex nyloc nut	2	2	2	2			
16	AL171058	Locking pin	2	2	2	2			

RA - BAJAJ Maxima Z LPG | AT - BAJAJ Maxima LPG
AZ - BAJAJ Maxima Z CNG | AT1- BAJAJ Maxima CNG



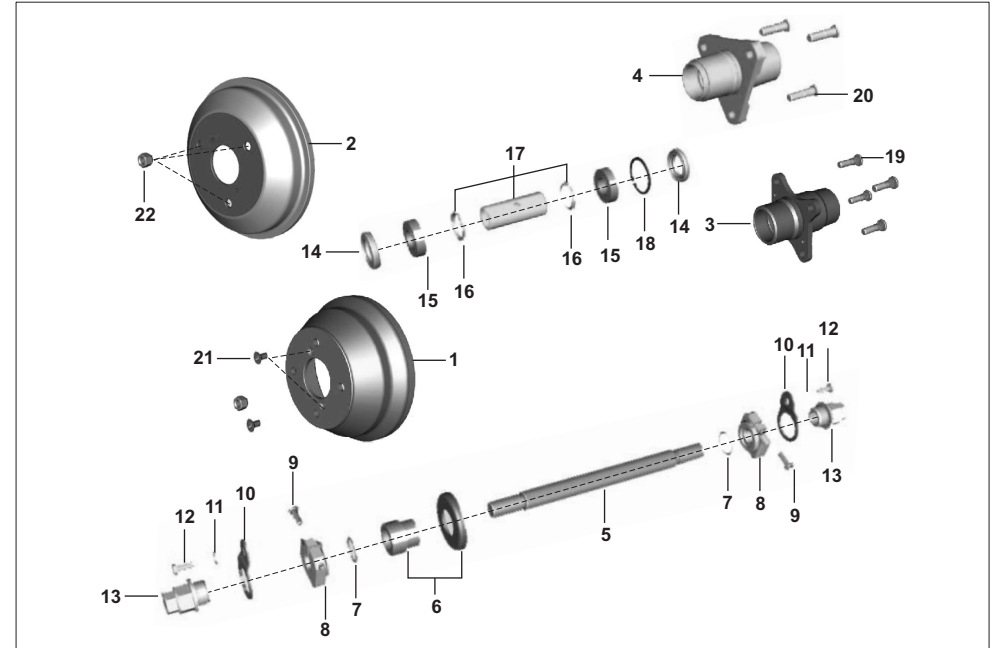
No.	Part No.	Description	Max.Z		Max.		C		Remarks
			RA	AZ	AT	AT1	AN		
1	BH151062	Fork assly	1	1	-	-			
1	BB181012	Fork assly	-	-	1	1			
2	BH151007	Cover dust lower	1	1	-	-			
2	AL181006	Cover - dust - bottom	-	-	1	1			
3	AA181022	Bearing race lower	1	1	-	-			
3	BB181040	Race bearing lower inner	-	-	1	1			
4	AB181012	Ball steel with cage lower nylon	1	1	-	-			
4	BB181037	Ball with cage-solid oil	-	-	1	1			
5	AB181033	Race brg lower outer	1	1	-	-			
5	BB181039	Race bearing lower outer	1	-	1	1			
6	BH151009	Spacer fork front	1	1	-	-			
7	BH151008	Dust cover top	1	1	-	-			
7	AL181005	Cover - dust - top	-	-	1	1			
8	AB181019	Race outer upper outer	1	1	-	-			
8	BB181036	Race bearing upper-outer	-	-	1	1			
9	AB181017	Steel ball with cage upper	1	1	-	-			
9	BB181035	Ball with cage-solid oil	-	-	1	1			
10	BB181034	Race bearing upper-inner	1	1	1	1			
11	24161443	Dust cover	1	1	1	1			
12	24181047	Lock nut	2	2	2	2			
13	AB181020	Spacer washer bearing	1	1	1	1			
14	BH151065	Steering plate upper	1	1	1	1			
15	BH111056	Rubber flap	1	1	1	1			
16	BH121002	Strap cable (210x6)	1	1	1	1			

RA - BAJAJ Maxima Z LPG | AT - BAJAJ Maxima LPG
AZ - BAJAJ Maxima Z CNG | AT1- BAJAJ Maxima CNG



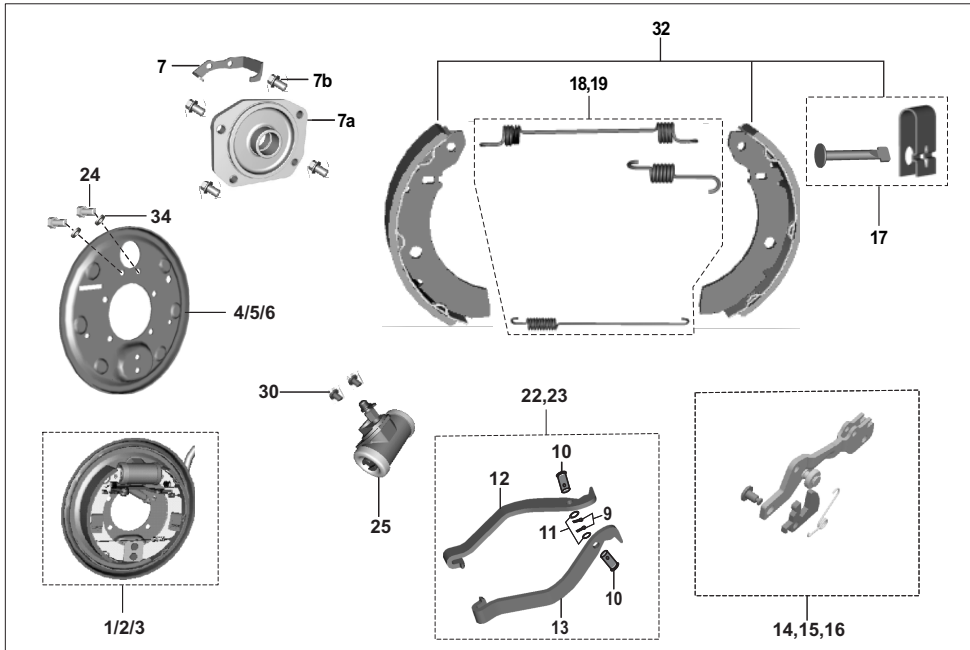
No.	Part No.	Description	Max.Z		Max.		C	Remarks
			RA	AZ	AT	AT1		
1	BH131023	Drum brake	1	1	-	-		
2	AL151242	Drum brake front	-	-	1	1		
3	BH131021	Hub front	1	1	-	-		
4	AL151243	Hub front	-	-	1	1		
5	AP151002	Front Wheel Axle	1	1	-	-		
5	AL151004	Axle front wheel	-	-	1	1		
6	BH131600	Spacer assly.	1	1	-	-		
6	AL151008	Spacer assembly	-	-	1	1		
7	KJAA2024	O ring	2	2	2	2		
8	AL151089	Special Nut-M16	2	2	2	2		
9	39203804	Hex socket head bolt	4	4	4	4		
10	AL151012	Locking Clip	2	2	2	2		
11	39026312	Spring washer	2	2	2	2		
12	39107901	Hex head screw	2	2	2	2		
13	AL151011	Collar Nut	2	2	2	2		
14	39173719	Oil seal 26X42X8	2	2	2	2		
15	39224020	Ball Bearing	2	2	2	2		
16	AL151007	Collar	1	1	1	1		
17	BH131024	Assly distance piece	1	1	-	-		
17	AL151005	Assly distance piece	-	-	1	1		

RA - BAJAJ Maxima Z LPG | AT - BAJAJ Maxima LPG
AZ - BAJAJ Maxima Z CNG | AT1 - BAJAJ Maxima CNG



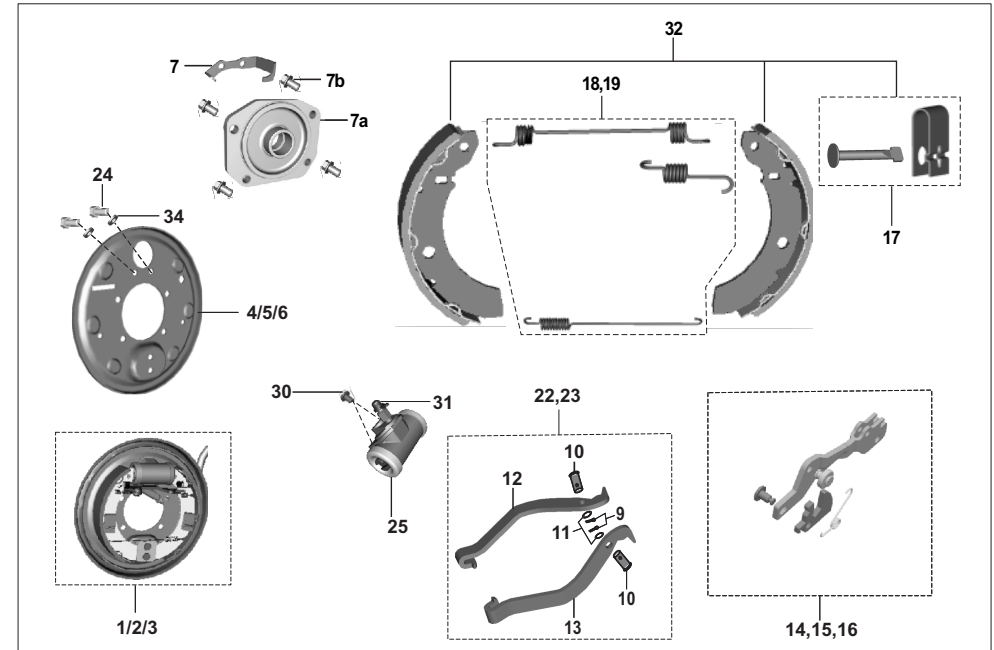
No.	Part No.	Description	Max.Z		Max.		C	Remarks
			RA	AZ	AT	AT1		
18	39246417	Circlip	1	1	-	-		
18	KEBB4217	Circlip internal	-	-	1	1		
19	BF131710	Bolt M10	4	4	-	-		
20	AL171066	Bolt for axle	-	-	3	3		
21	KBCA0614	Screw csk cross	2	2	-	-		
22	AL151252	Nut conical M12	-	-	3	3		

RA - BAJAJ Maxima Z LPG | AT - BAJAJ Maxima LPG
AZ - BAJAJ Maxima Z CNG | AT1 - BAJAJ Maxima CNG



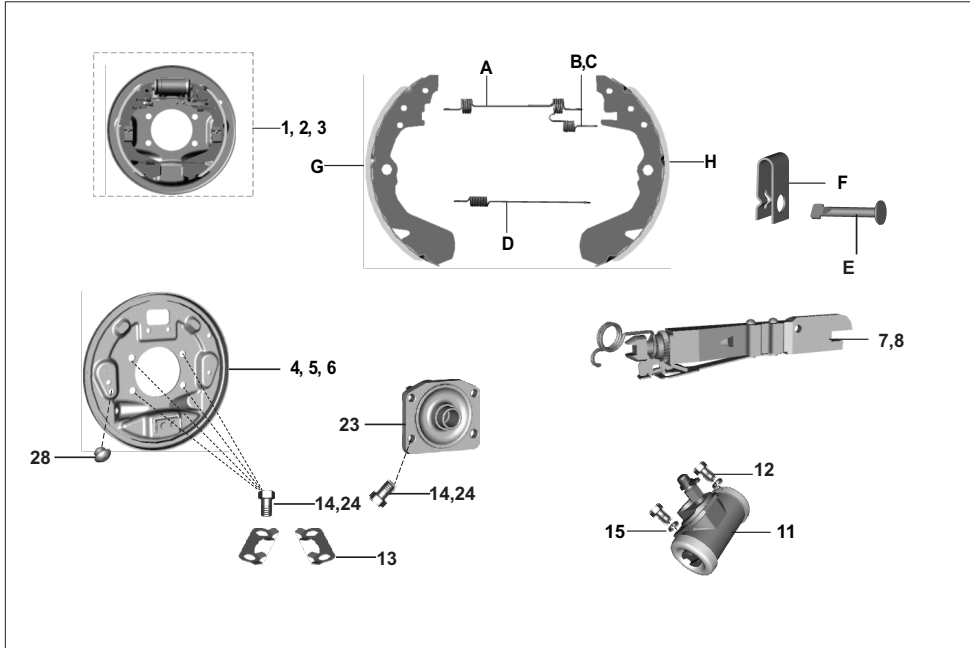
No.	Part No.	Description	Max.Z		Max.		C		Remarks
			RA	AZ	AT	AT1	AN		
1	BH131006	Panel assembly front	1	1	-	-			
2	BH131213	Panel assly RH	1	1	-	-			
3	BH131212	Panel assly LH	1	1	-	-			
4	AP151017	Back panel assly FR	1	1	-	-			
5	24151174	Back plate assly. LH	1	1	-	-			
6	24151178	Back panel assly RH	1	1	-	-			
7	BH131011	Bracket hose guide front	1	1	-	-			
7a	AP151031	Flange Backplate Fr	1	1	-	-			
7b	39253404	Bolt - Hexagon Head M8	4	4	-	-			
8	24151268	Brake shoe kit (ask lining)	3	3	-	-			
9	24151147	Pin split - hbl	2	2	-	-			
10	24151146	Pin pivot-park lever	1	1	-	-			
11	24151148	Washer- plain park lever	1	1	-	-			
12	BH131813	Lever parking brake LH	1	1	-	-			
13	BH131814	Lever parking brake RH	1	1	-	-			
14	24151179	Assly auto adjuster RH	1	1	-	-			
15	24151175	Assly auto adjuster LH	1	1	-	-			
16	24151168	Assly auto adjuster front	1	1	-	-			
17	24151172	Shoe clamp spring kit	3	3	-	-			
18	24151182	Spring kit RH	3	3	-	-			
19	24151173	Spring kit FR/LH	3	3	-	-			
20	24151170	Ratchet kit for fr & LH	2	2	-	-			

RA - BAJAJ Maxima Z LPG | AT - BAJAJ Maxima LPG
AZ - BAJAJ Maxima Z CNG | AT1 - BAJAJ Maxima CNG



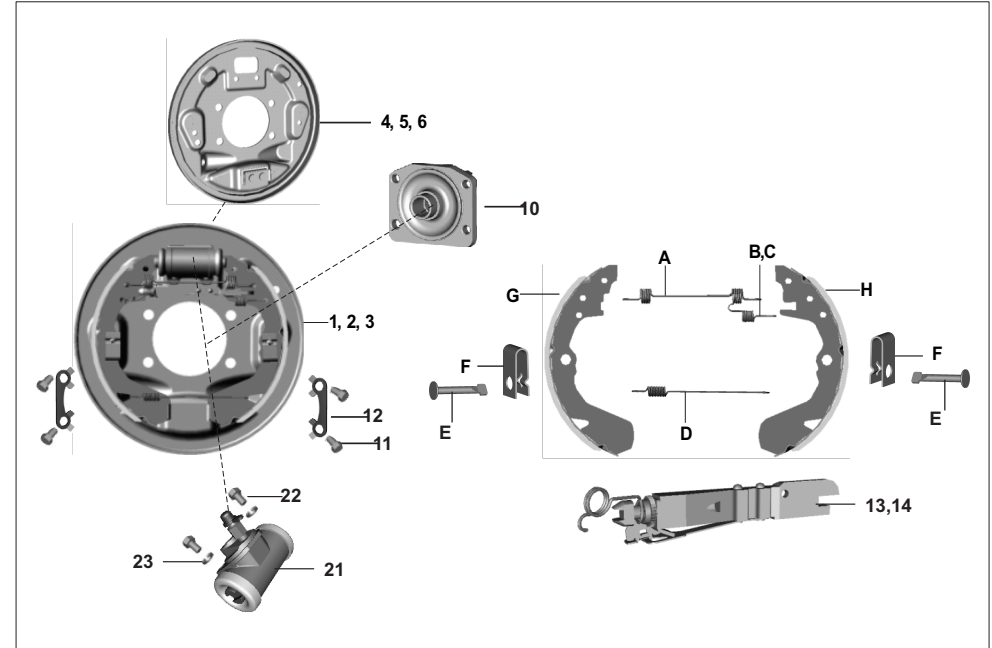
No.	Part No.	Description	Max.Z		Max.		C		Remarks
			RA	AZ	AT	AT1	AN		
21	24151181	Ratchet kit RH	1	1	-	-			
22	24151177	Kit parking lever LH	1	1	-	-			
23	24151183	Kit parking lever RH	1	1	-	-			Kit-55
24	AL151054	Bolt	2	2	-	-			
25	24151163	Wheel cylinder FR	1	1	-	-			
25	24151164	Wheel cylinder RR	1	1	-	-			
26	24151107	Major kit fr	1	1	-	-			Kit-56
27	24151108	Minor kit fr	1	1	-	-			Kit-57
28	24151113	Major kit rr	1	1	-	-			Kit-58
29	24151114	Minor kit rr	1	1	-	-			Kit-59
30	AB151079	Screw - bleeder	1	1	-	-			
31	AL151052	Cap - bleeder 64	1	1	-	-			
32	24151171	Brake shoe kit with spring	1	1	-	-			
33	36BA4014	Wheel cylinder mtg kit	1	1	-	-			(screw 2,brk 1) Kit-25
34	AL151053	Washer spring	2	2	-	-			

RA - BAJAJ Maxima Z LPG | AT - BAJAJ Maxima LPG
AZ - BAJAJ Maxima Z CNG | AT1 - BAJAJ Maxima CNG



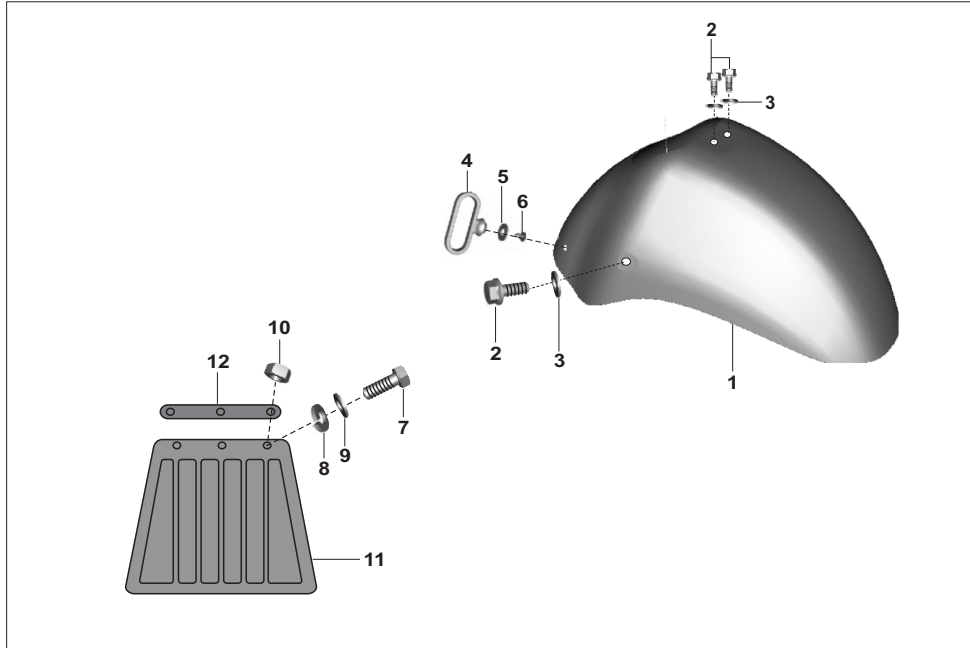
No.	Part No.	Description	Max.Z		Max.		C	Remarks
			RA	AZ	AT	AT1		
1	AL151236	Panel Ass FR	-	-	1	1		
2	AL151238	Panel assly RH	-	-	1	1		
3	AL151237	Panel assly LH	-	-	1	1		
4	36AL0033	Back plate assly FR-AL151239	-	-	1	1		Kit-26
5	36AL0038	Back platel assly RH-BB151262	-	-	1	1		Kit-27
6	36AL0040	Back plate assly. LH BB151261	-	-	1	1		Kit-28
7	BB151064	Shoe clamp spring kit	-	-	3	3		inc-E,F
8	BB151062	Spring kit fr. LH	-	-	3	3		inc-A,B,D
9	BB151063	Spring kit RH	-	-	3	3		inc-A,C,D
10	AL151266	Flange back plate cargo -	-	-	1	1		
11	39042304	Bolt hexagon head	-	-	4	4		
12	AL171053	Lock plate	-	-	2	2		
13	AL151194	Auto adjuster assly front	-	-	1	1		
14	AL151211	Auto adjuster assly LH	-	-	1	1		
15	36AL0050	Front brake shoe kit maxima	-	-	1	1		Incl-G,H,E,F Kit-29
16	36AL0051	Rear rh brake shoe kit maxima	-	-	1	1		Incl-G,H,E,F Kit-30
17	36AL0052	Rear lh brake shoe kit maxima	-	-	1	1		Incl-G,H,E,F Kit-31
18	36AL0030	Wheel cylinder major kit	-	-	3	3		Kit-32
19	36AL0029	Wheel cylinder minor kit	-	-	3	3		Kit-33
20	BF131904	Plug protection	-	-	2	2		

RA - BAJAJ Maxima Z LPG | AT - BAJAJ Maxima LPG
AZ - BAJAJ Maxima Z CNG | AT1- BAJAJ Maxima CNG



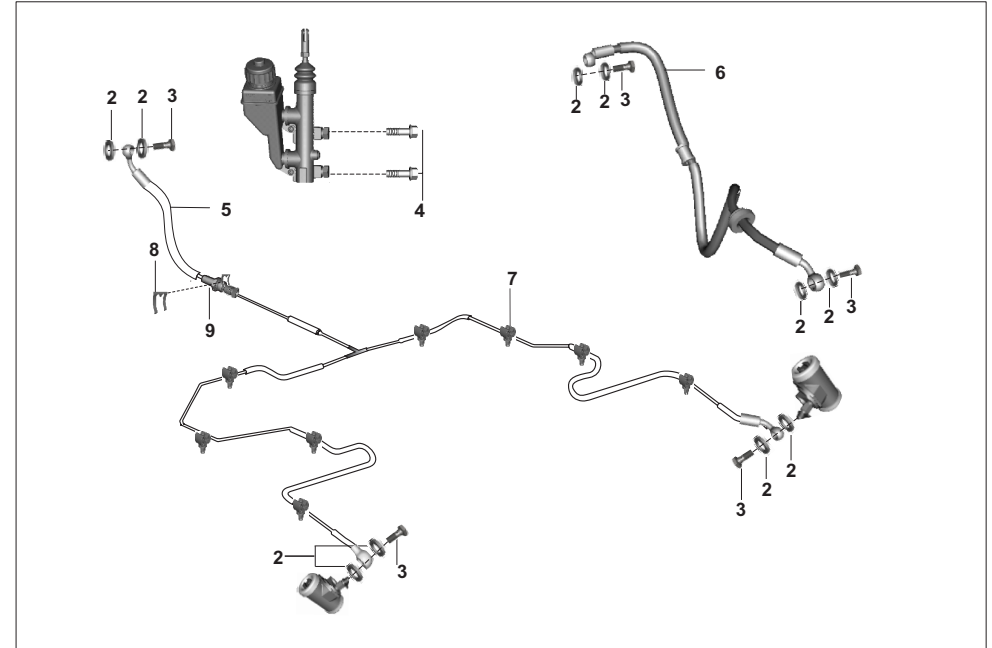
No.	Part No.	Description	Max.Z		Max.		C	Remarks
			RA	AZ	AT	AT1		
21	AL151231	Assy wheel cylinder	-	-	3	3		
22	AL151205	Bolt wheel cylinder Mtg.	-	-	2	2		
23	BF131905	Washer spring	-	-	2	2		
24	AL151235	Assembly brake panel with flange	-	-	1	1		Incl-1&10

RA - BAJAJ Maxima Z LPG | AT - BAJAJ Maxima LPG
AZ - BAJAJ Maxima Z CNG | AT1- BAJAJ Maxima CNG



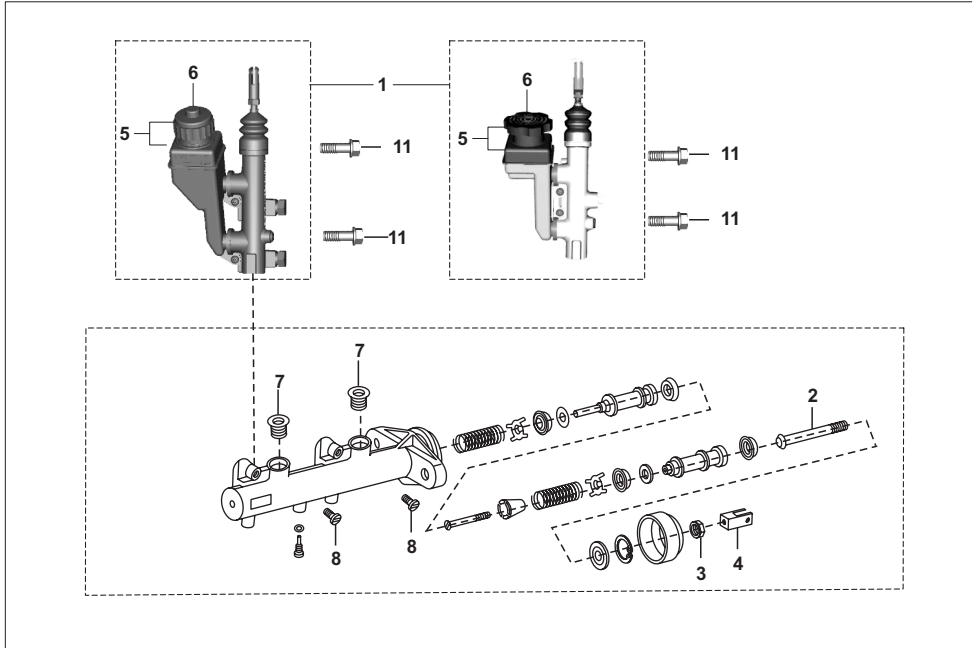
No.	Part No.	Description	Max.Z		Max.		C	Remarks
			RA	AZ	AT	AT1		
1	52BB0075	Mudguard front BB161099	1	1	1	1		
2	39194404	Bolt	4	4	4	4		
3	39121111	Washer plain	4	4	4	4		
4	DS161125	Cable guide	1	1	1	1		
5	BH131817	Spacer guide hose	1	1	1	1		
6	BF185019	Clip plastic rivet	1	1	1	1		
7	39007104	Screw	3	3	-	-		
7	KAAA0514	Bolt	-	-	3	3		
8	39183012	Washer spring	3	3	3	3		
9	39019811	Washer plain	3	3	3	3		
10	39029115	Nut flange	3	3	-	-		
10	KCAA0504	Nut flange	-	-	3	3		
11	BB221015	Mudflap front	1	1	1	1		
12	24161176	Strip	2	2	2	2		

RA - BAJAJ Maxima Z LPG | AT - BAJAJ Maxima LPG
AZ - BAJAJ Maxima Z CNG | AT1 - BAJAJ Maxima CNG



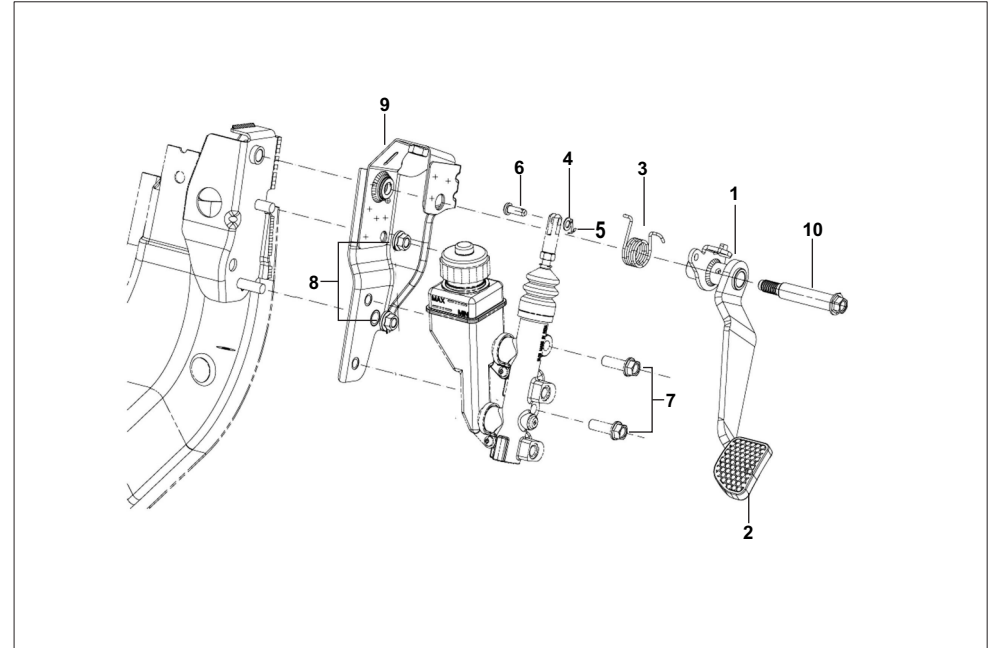
No.	Part No.	Description	Max.Z		Max.		C	Remarks
			RA	AZ	AT	AT1		
1	AZ131809	Assly brake pipe rear 2	1	1	-	-		
1	BB151091	Assly brake pipe rear 2	-	-	1	1		
2	21150422	Packing - copper washer	8	8	8	8		
3	AB151049	Bolt - M10 X 1 :- Banjo, Brake	5	5	5	5		
4	KADD1030	Bolt-flange-tmc mounting	2	2	2	2		
5	24151234	Hose rear circuit-1	1	1	-	-		
5	BB151073	Assly brake pipe rear1	-	-	1	1		
6	BH131804	Hose brake front	1	1	-	-		
6	BB151026	Hose brake front	-	-	1	1		
7	BG113804	Clamp brake pipe	6	6	6	6		
8	EC131835	Clip Hose	1	1	-	-		
9	EC131821	Connector 2 way hex	-	-	1	1		

RA - BAJAJ Maxima Z LPG | AT - BAJAJ Maxima LPG
AZ - BAJAJ Maxima Z CNG | AT1 - BAJAJ Maxima CNG



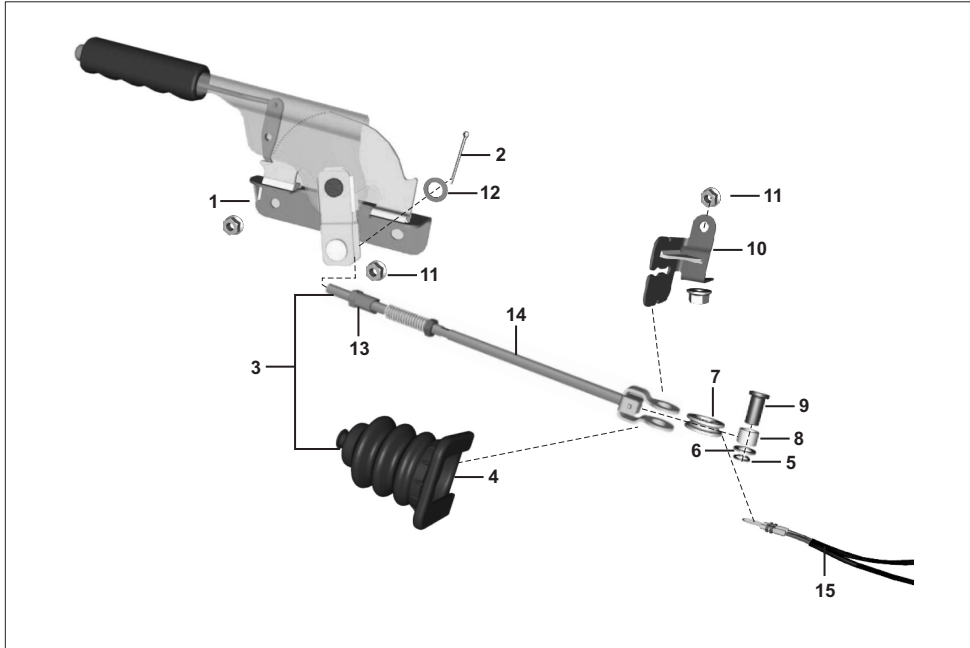
No.	Part No.	Description	Max.Z		Max.		C	Remarks
			RA	AZ	AT	AT1		
1	24151275	Cylinder complete tandem master	1	1	-	-		
1	24151291	Cylinder complete tandem master	1	1	1	1		fr.15.01.2018
2	24151087	Push rod complete	1	1	1	1		
3	24151094	Hex. nut	1	1	1	1		
4	24151090	Fork rod push	1	1	1	1		
5	AB151054	Assembly brake reservoir	1	1	-	-		
5	24151290	Assembly brake reservoir	1	1	1	1		fr.15.01.2018
6	AB151072	Cap assy reservoir	1	1	-	-		
6	24151289	Cap assy reservoir wo lis	1	1	1	1		fr.15.01.2018
7	24151092	Seal-oil supply port	2	2	2	2		
8	24151093	Screw reservoir mtg.	2	2	2	2		
9	24151097	Major kit TMC	1	1	1	1		
10	24151098	Minor Kit TMC	1	1	1	1		
11	39138904	Bolt	2	2	-	-		
11	KADD1030	Bolt flanged	2	2	2	2		fr.15.01.2018
12	BH131803	Assembly tmc with hose FL	1	1	1	1		

RA - BAJAJ Maxima Z LPG | AT - BAJAJ Maxima LPG
AZ - BAJAJ Maxima Z CNG | AT1 - BAJAJ Maxima CNG



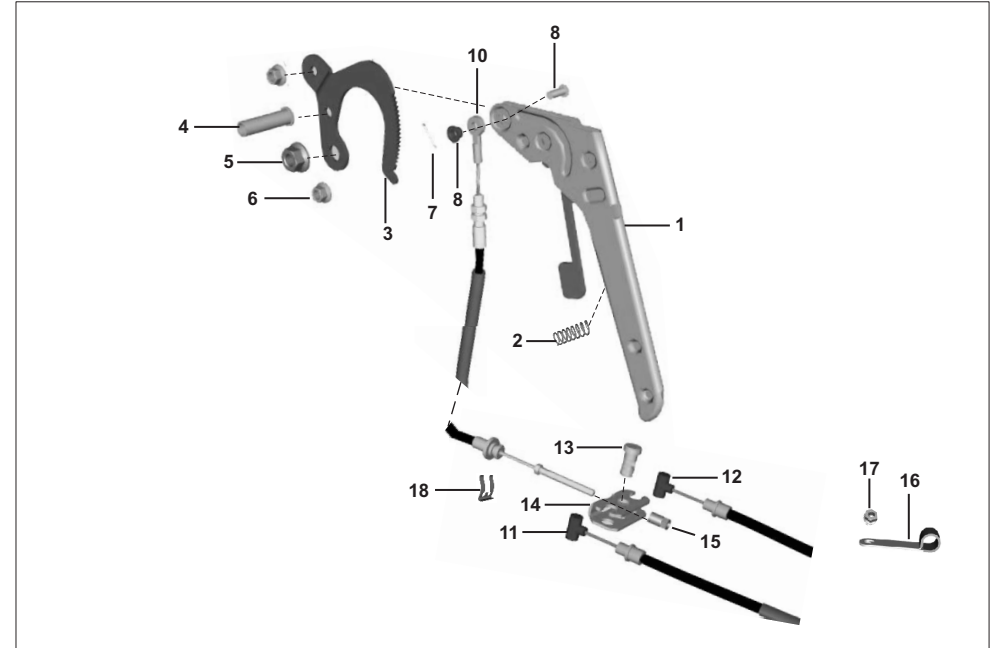
No.	Part No.	Description	Max.Z		Max.		C	Remarks
			RA	AZ	AT	AT1		
1	BH161019	Assly Brake Pedal With Pad	1	1	-	-		
1	BB151075	Assembly brake pedal with pad FL	-	-	1	1		
2	24151232	Pad brake pedal	1	1	1	1		
3	BH161027	Spring brake pedal retainer	1	1	1	1		
4	39019911	Plain washer	2	2	2	2		
5	39014608	Split pin	1	1	1	1		
6	39170207	Clevis pin with head	1	1	1	1		
7	KADD1030	Bolt Flanged	2	2	2	2		
8	39105515	Nut Hex Flanged	2	2	2	2		
9	BH161017	Assly Bkt Brake Pedal Mtg	1	1	1	1		
10	LAD00136	Bolt Flanged	1	1	1	1		

RA - BAJAJ Maxima Z LPG | AT - BAJAJ Maxima LPG
AZ - BAJAJ Maxima Z CNG | AT1 - BAJAJ Maxima CNG



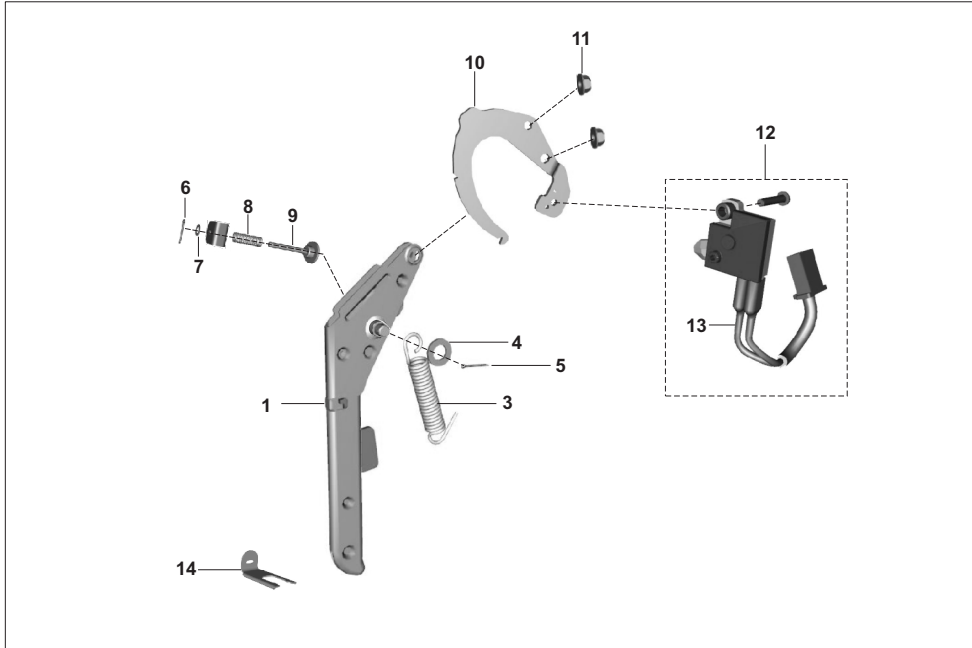
No.	Part No.	Description	Max.Z		Max.		C	Remarks
			RA	AZ	AT	AT1		
1	AZ131803	Assly pkb lever with grip	1	1	-	-		
2	KHAA2025	Pin cotter	1	1	-	-		
3	AZ131807	Assly rod front pkb	1	1	-	-		
4	AZ131806	Cover equalizer pbk	1	1	-	-		
5	KEAA1010	Circlip external	1	1	-	-		
6	LDA00002	Washer plain small	1	1	-	-		
7	BF161137	Pulley	1	1	-	-		
8	BF161175	Bush pkb equalizer	1	1	-	-		
9	BF161138	Pin pivot	1	1	-	-		
10	AZ131805	Bracket pkb equalizer mtg	1	1	-	-		
11	KCGA0808	Nut hex flanged	4	4	-	-		
12	LDA00032	Washer plain	1	1	-	-		
13	AZ131815	Nut special pkb	1	1	-	-		
14	AZ131816	Assly rod and bracket	1	1	-	-		
15	AZ131808	Assly cable rear pkb	1	1	-	-		

RA - BAJAJ Maxima Z LPG | AT - BAJAJ Maxima LPG
AZ - BAJAJ Maxima Z CNG | AT1 - BAJAJ Maxima CNG



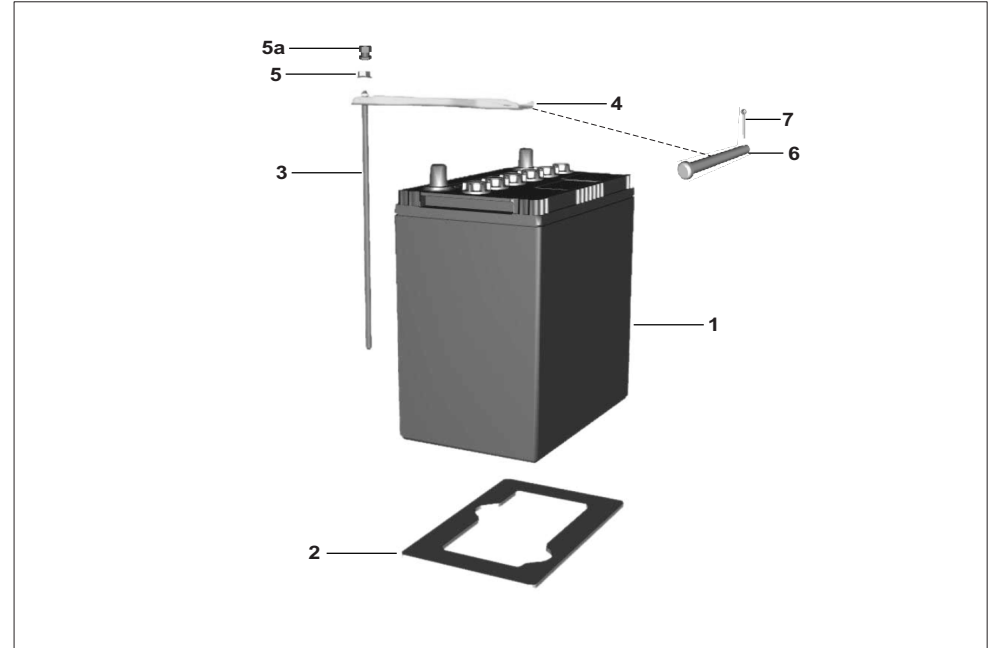
No.	Part No.	Description	Max.Z		Max.		C	Remarks
			RA	AZ	AT	AT1		
1	AT131800	Lever assly-parking brake	-	-	1	1		
2	22150524	Spring	-	-	1	1		
3	AT131802	Ratchet	-	-	1	1		
4	AT131810	Sleeve	-	-	1	1		
5	KCGD1414	Nut hex flanged	-	-	1	1		
6	KCGA1010	Nut-hex-flanged	-	-	2	2		
7	39014608	Split pin	-	-	2	2		
8	AT131807	Washer	-	-	1	1		
9	22151067	Pin for hand brake cable	-	-	1	1		
10	AT131817	Cable brake parking front	-	-	1	1		
11	AT131818	Cable brake parking rear LH	-	-	1	1		
12	AT131819	Cable brake parking rear RH	-	-	1	1		
13	24151068	Pin - rear cable guide	-	-	1	1		
14	AT131820	Bracket equaliser	-	-	1	1		
15	24151238	Nut special m6 x 1 for hb cable	-	-	1	1		
16	BB191033	Clamp	-	-	2	2		
17	LCL00002	Nut flange :- M6 (39271115)	-	-	2	2		
18	BF161283	Clip cable lock	-	-	1	1		

RA - BAJAJ Maxima Z LPG | AT - BAJAJ Maxima LPG
AZ - BAJAJ Maxima Z CNG | AT1 - BAJAJ Maxima CNG



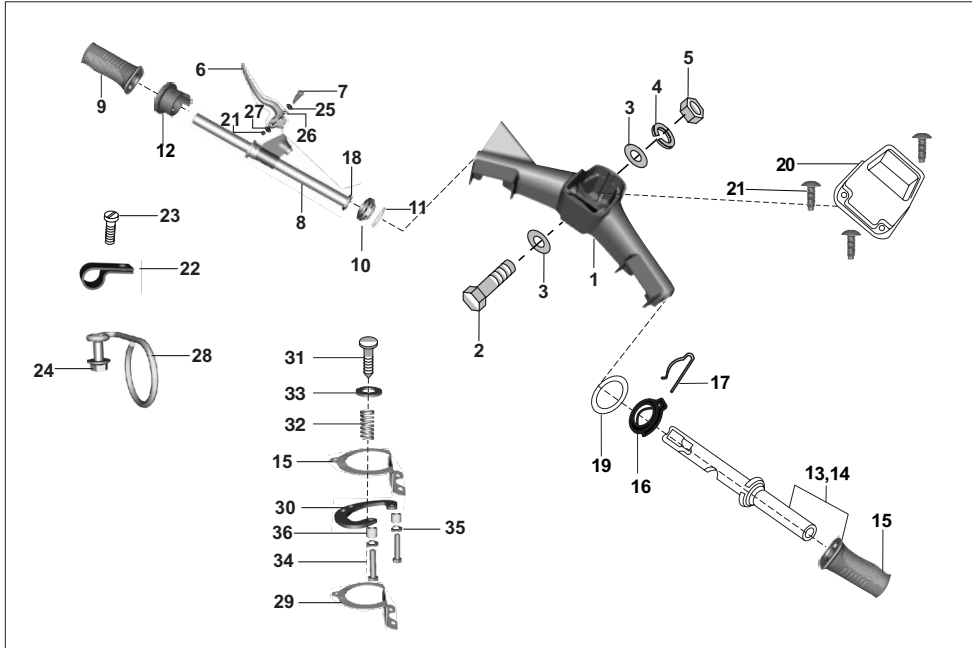
No.	Part No.	Description	Max.Z		Max.		C	Remarks
			RA	AZ	AT	AT1	AN	
1	AA191113	Assly complete reverse lever	1	1	1	1		
2	AA191116	Lever reverse control	1	1	1	1		
3	AA191117	Spring tension reverse control	1	1	1	1		
4	KDAA1222	Washer_plain_small	1	1	1	1		
5	KHAA2018	Pin cotter	1	1	1	1		
6	39015108	Pin split	1	1	1	1		
7	KDAA0408	Washer_plain_small	1	1	1	1		
8	AA191121	Spring for switch	1	1	1	1		
9	AA191122	Pin assly	1	1	1	1		
10	AA191114	Ratchet reverse lever	1	1	-	-		
10	AT161005	Ratchet lever reverse	-	-	1	1		
11	39229515	Nut flanged- ex.tube-cyl head	2	2	2	2		
12	AA201332	Assly reverse switch with harness	1	1	1	1		
13	AA201331	Harness revrese switch	1	1	1	1		
14	BF161296	Clip locking revrse cable	1	1	1	1		

RA - BAJAJ Maxima Z LPG | AT - BAJAJ Maxima LPG
AZ - BAJAJ Maxima Z CNG | AT1- BAJAJ Maxima CNG



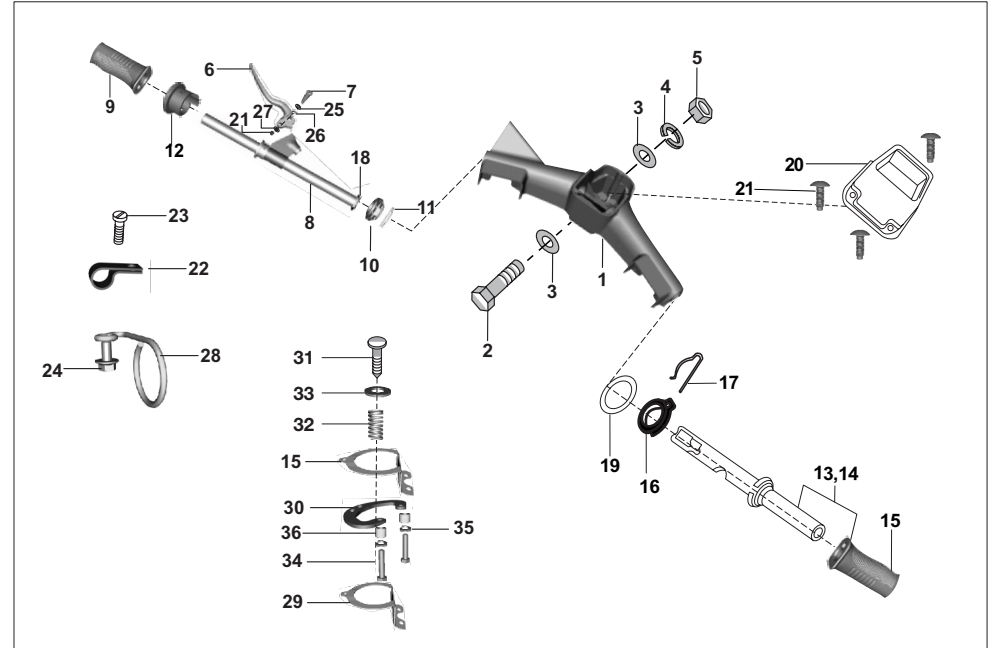
No.	Part No.	Description	Max.Z		Max.		C	Remarks
			RA	AZ	AT	AT1	AN	
1	BA201001	Battery	1	1	1	1		
2	24201564	Packing rubber - battery 32 AH	1	1	1	1		
3	AZ111109	Rod battery clamp UG	1	1	-	-		
3	AT111218	Rod battery	-	-	1	1		
4	AZ111112	Clamp battery top UG	1	1	-	-		
4	AT111105	Clamp battery mtg	-	-	1	1		
5	KCGA0606	Nut hex flanged	2	2	1	1		
5a	BB161296	Nut	-	-	1	1		
6	BF247003	Pin eng access cvr hinge	1	1	-	-		
7	KHAE2012	Pin cotter	1	1	-	-		

RA - BAJAJ Maxima Z LPG | AT - BAJAJ Maxima LPG
AZ - BAJAJ Maxima Z CNG | AT1- BAJAJ Maxima CNG



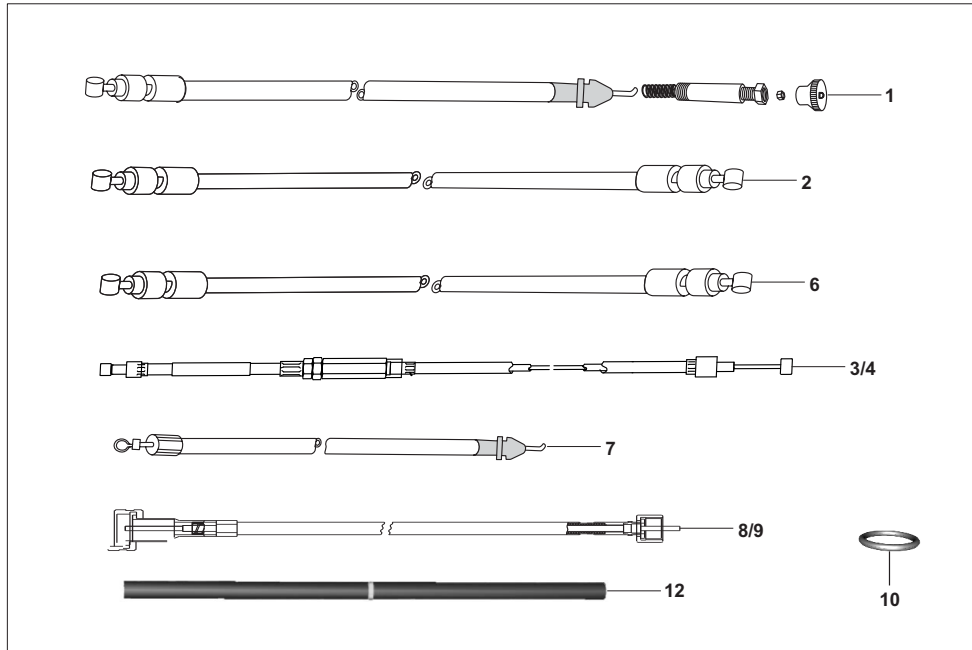
No.	Part No.	Description	Max.Z		Max.		C	Remarks
			RA	AZ	AT	AT1		
1	24151274	Handle bar body	1	1	1	1		
2	39137704	Hex. bolt with collar	1	1	1	1		
3	39020111	Plain washer	2	2	2	2		
4	39182912	Spring washer	1	1	1	1		
5	39029615	Hex nut	1	1	1	1		
6	AA191032	Lever clutch	1	1	1	1		
7	24191105	Lever clutch screw	1	1	1	1		
8	24181074	Assly gear cntl tube	1	1	1	1		
9	06191089	Grip hand gear control	1	1	1	1		
10	24191184	Gear control pulley	1	1	1	1		
11	24191185	Spring clip	1	1	1	1		
12	24191099	Indicator ring gear handle bar	1	1	1	1		
13	24191187	Assly gas cntrl tube(grip)	1	1	1	1		
14	24191098	Gas control tube assly	1	1	1	1		
15	06191089	Hand grip acc	1	1	1	1		
16	24191101	Pulley gas control	1	1	1	1		
17	CM191049	Spring clip	1	1	1	1		
18	39094111	Plain washer	2	2	2	2		
19	LHC00001	Pin spring gear cotr.tube-di	1	1	1	1		
20	AP161047	Handle bar top cover	1	1	1	1		

RA - BAJAJ Maxima Z LPG | AT - BAJAJ Maxima LPG
AZ - BAJAJ Maxima Z CNG | AT1 - BAJAJ Maxima CNG



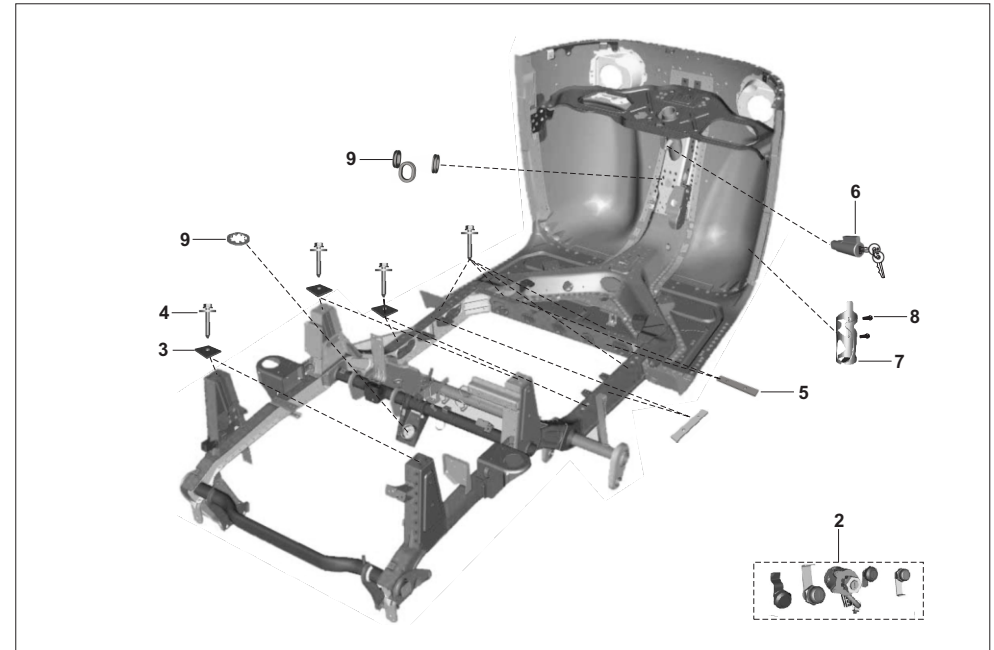
No.	Part No.	Description	Max.Z		Max.		C	Remarks
			RA	AZ	AT	AT1		
21	LBU00063	Screw trus	3	3	3	-		
21	KBUC0410	Screw truss M4 X 0.7P	-	-	-	3		
22	AL201070	Clip p for new control switch	2	2	2	2		
23	39263101	Screw pan head M5	2	2	2	2		
24	39220804	Bolt flanged M5x10	1	1	1	1		
25	03190206	Washer plain	1	1	1	1		
26	01190205	Washer spring	1	1	1	1		
27	03190204	Washer plain	1	1	1	1		
28	24181067	Guide for clutch cable	1	1	1	1		
29	BH151066	Steering plate lower	1	1	1	1		
30	22181058	Steering lock plate assly	1	1	1	1		
31	21180307	Knob	1	1	1	1		
32	21180308	Spring	1	1	1	1		
33	39019811	Washer plain	1	1	1	1		
34	KAAD0520	Bolt	2	2	-	-		
34	KAAD0525	Bolt	2	2	2	2		
35	39026212	Washer - spring	2	2	2	2		
36	24181161	Spacer dampening plate	2	2	-	-		
36	BB151052	Spacer dampening plate	-	-	2	2		

RA - BAJAJ Maxima Z LPG | AT - BAJAJ Maxima LPG
AZ - BAJAJ Maxima Z CNG | AT1 - BAJAJ Maxima CNG



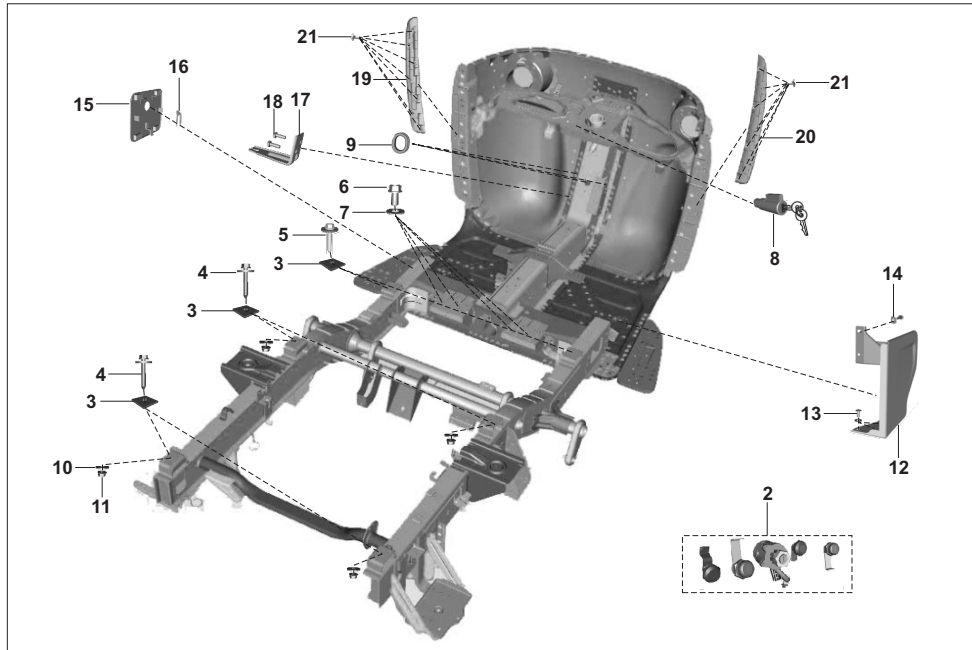
No.	Part No.	Description	Max.Z		Max.		C	Remarks
			RA	AZ	AT	AT1		
1	AZ161003	Choke cable comp	1	1	-	-		
1	AT161211	Cable choke	-	-	1	1		
2	AZ161209	Cable complete accelerator	1	1	-	-		
2	AT161210	Cable accelerator	-	-	1	1		
3	AZ161207	Cable assy gear comp.(white)	1	1	-	-		
3	AN191056	Cable gear comp white	-	-	1	1		
4	AZ161208	Cable gear complete black	1	1	-	-		
4	AN191062	Cable gear comp black	-	-	1	1		
5	AA201344	Cable for faremeter lamp	1	-	1	-		
6	AA191092	Clutch cable complete	1	1	1	1		
7	Aa191115	Cable reverse complete	1	1	1	1		
8	AZ161221	Cable speedometer	1	1	-	-		
8	AN191061	Cable complete speedometer	-	-	1	1		
9	AZ161222	Cable speedometer-inner	1	1	-	-		
9	AT161212	Cable speedometer	-	-	1	1		
10	39158721	O ring (speedo adaptor)	1	1	1	1		
11	31191032	Boot for accelerator	1	1	1	1		
12	AZ161220	Sleeve PVC	1	1	-	-		
12	BB191053	Sleeve for cables	-	-	1	1		

RA - BAJAJ Maxima Z LPG | AT - BAJAJ Maxima LPG
AZ - BAJAJ Maxima Z CNG | AT1- BAJAJ Maxima CNG



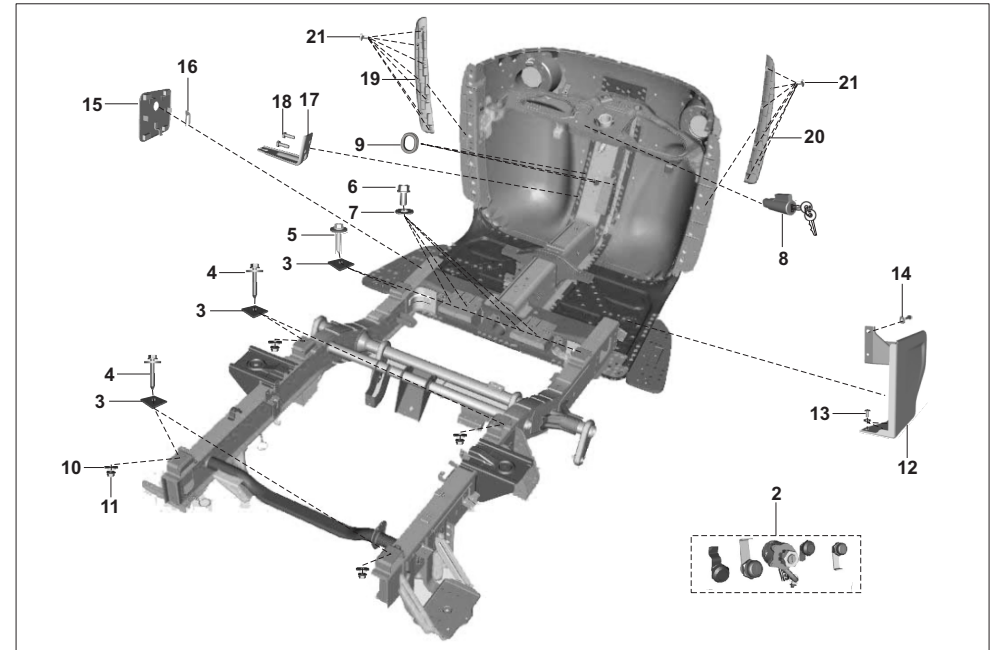
No.	Part No.	Description	Max.Z		Max.		C	Remarks
			RA	AZ	AT	AT1		
1	52RA0038	Assly Chassis Bare Maxima Z LPG	1	-	-	-		RA111000
1	52AZ0190	Assly Chassis Bare Maxima Z CNG	-	1	-	-		AZ111060
2	AZ232603	Lock set	1	1	-	-		
3	AL161392	Packing	6	6	-	-		
4	BH211077	Bolt hex with flange	10	10	-	-		
5	24231336	Packing for body	4	4	-	-		
6	36244042	steering lock(24181016) with key	1	1	-	-		Kit-34
7	24161446	Water bottle holder	1	1	-	-		
8	KBAC0614	Screw	2	2	-	-		
9	24165230	Grommet upper part	3	3	-	-		

RA - BAJAJ Maxima Z LPG | AT - BAJAJ Maxima LPG
AZ - BAJAJ Maxima Z CNG | AT1- BAJAJ Maxima CNG



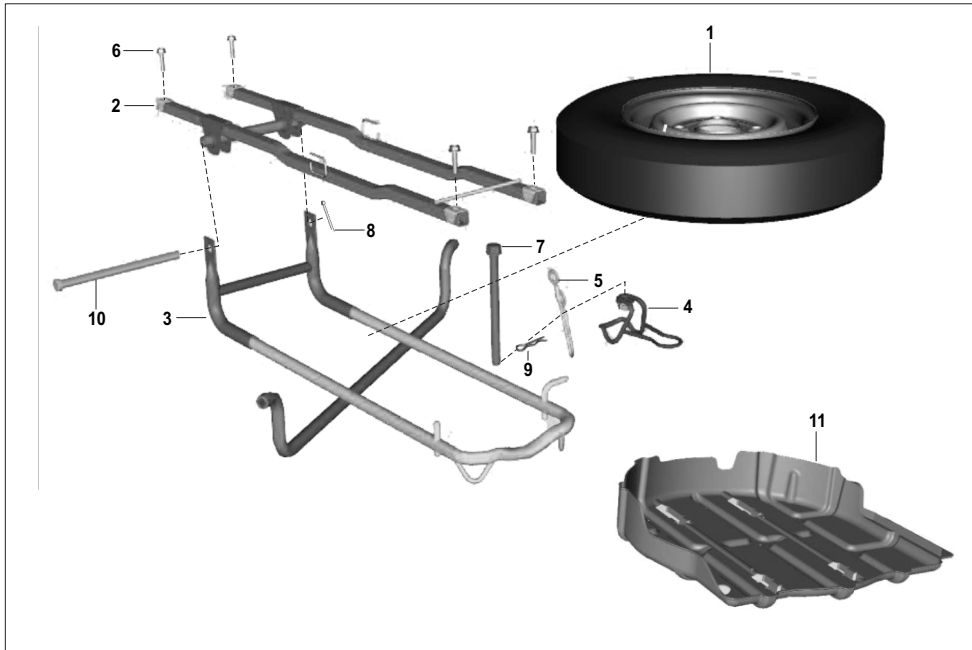
No.	Part No.	Description	Max.Z		Max.		C	Remarks
			RA	AZ	AT	AT1		
1	52AT0111	Assly bare chassis ED AT111130	-	-	1	-	-	
1	52AT0112	Assly bare chassis ED AT111601	-	-	-	1	-	
2	AT151000	Lock set	-	-	1	1	-	
3	AL161069	Packing-chassis and tray frame	-	-	6	6	-	
4	AA231245	Bolt combination	-	-	4	4	-	
5	LAG00011	Bolt	-	-	2	2	-	
6	KADA1020	Bolt flanged	-	-	4	4	-	
7	KDBB1022	Washer_plain	-	-	4	4	-	
8	36BB0029	Lock assly steering with key kit	-	-	1	1	-	kit-35
9	24165169	Grommet for upper part	-	-	3	3	-	
10	39023011	Washer plain	-	-	4	4	-	
11	39229515	Nut flanged- ex.tube-cyl head	-	-	4	4	-	
12	AT111083	Cover assembly-cng valve (old)	-	-	-	1	-	
13	KBUA0614	Screw truss	-	-	-	4	-	
14	KDBB0818	Washer_plain	-	-	-	4	-	
15	BB161048	Cover lockable-main member	-	-	1	1	-	
16	01160717	Clip lock	-	-	1	1	-	
17	AT161209	Bracket reverse cable stopper	-	-	1	1	-	
18	KAAA0618	Bolt	-	-	2	2	-	
19	52AT0091	Ascia front btm LH green	-	-	1	1	-	
19	52AT0085	Fascia front btm LH yellow	-	-	1	1	-	
19	52AT0087	Fascia front btm LH black	-	-	1	1	-	

RA - BAJAJ Maxima Z LPG | AT - BAJAJ Maxima LPG
AZ - BAJAJ Maxima Z CNG | AT1- BAJAJ Maxima CNG



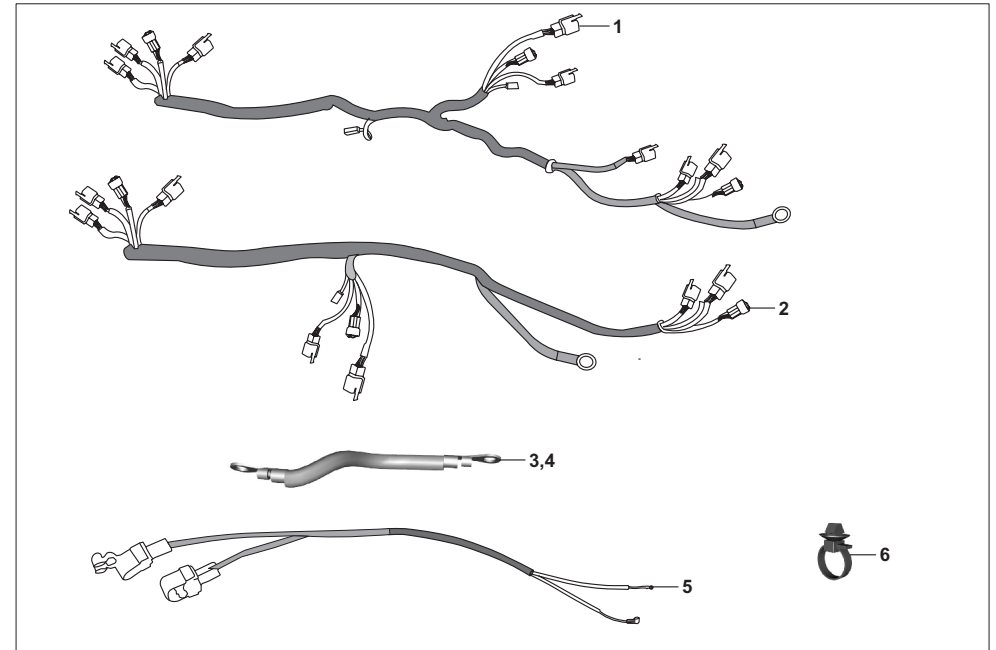
No.	Part No.	Description	Max.Z		Max.		C	Remarks
			RA	AZ	AT	AT1		
19	52AT0089	Fascia front btm LH white	-	-	1	1	-	
19	52AT0093	Fascia front btm LH green	-	-	1	1	-	
19	52AT0095	Front bottom LH red	-	-	1	1	-	
19	52AT0092	Fascia front btm RH green	-	-	1	1	-	
20	52AT0086	Fascia front btm RH yellow	-	-	1	1	-	
20	52AT0088	Fascia front btm RH black	-	-	1	1	-	
20	52AT0090	Fascia front btm RH white	-	-	1	1	-	
20	52AT0094	Fascia front btm RH green	-	-	1	1	-	
20	52AT0096	Front bottom RH red	-	-	1	1	-	
21	KBUA0510	Screw truss	-	-	14	14	-	

RA - BAJAJ Maxima Z LPG | AT - BAJAJ Maxima LPG
AZ - BAJAJ Maxima Z CNG | AT1- BAJAJ Maxima CNG



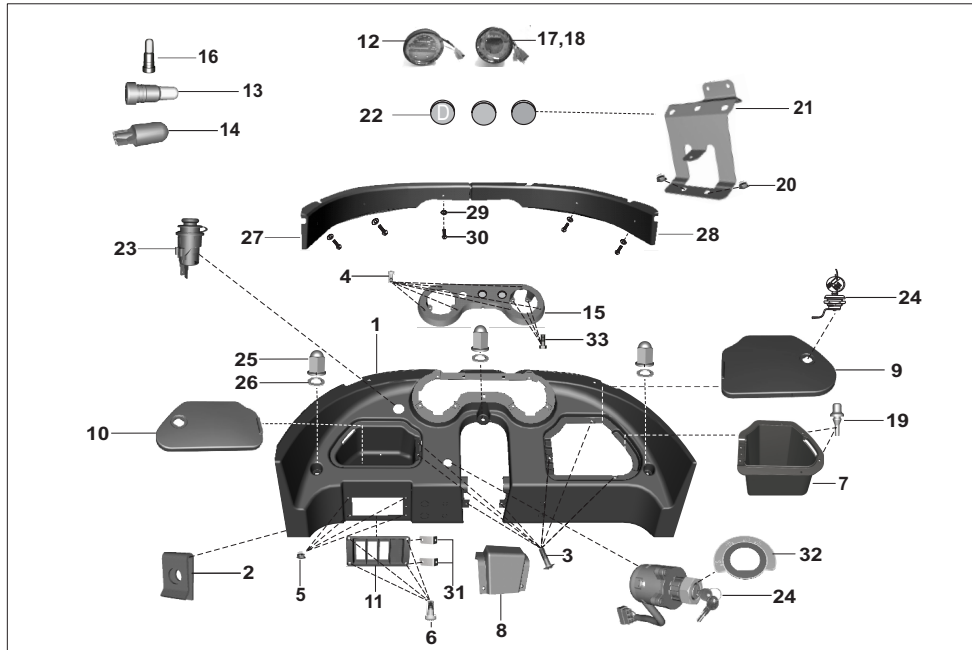
No.	Part No.	Description	Max.Z		Max.		C		Remarks
			RA	AZ	AT	AT1	AN		
1	BH131019	Assly wheel 4.00X10 Inch	1	1	-	-			NS
2	AZ131005	Assly cross mbr sp wh mtg	1	1	-	-			
2	AT131407	Assembly cross mbr sp wh mtg	-	-	1	1			
3	AZ131415	Cradle assly wheel spare	1	1	-	-			
3	AT131401	Cradle assembly-spare wheel mtg	-	-	1	1			
4	AZ131404	Hook cradle locking sp wh mtg	1	1	-	-			
4	AT131416	Hook cradle locking spare wh mtg	-	-	1	1			
5	AT131406	Cable cradle	1	1	-	-			
6	KADD0630	Bolt flanged	4	4	-	-			
6	KADA0635	Bolt flanged	-	-	4	4			
7	LAD00178	Bolt flange-M10	1	1	-	-			
7	LAD00188	Bolt flange-m10x1.25x1196xbright	-	-	1	1			
8	KHAA3228	Pin cotter	1	1	1	1			
9	KHBB0828	pin snap	1	1	1	1			
10	AZ131403	Pivot pin	1	1	-	-			
10	LHE00004	Pin clevis with hole-dia.12x1250	-	-	1	1			
11	AZ131416	Cover wheel spare	1	1	-	-			

RA - BAJAJ Maxima Z LPG | AT - BAJAJ Maxima LPG
AZ - BAJAJ Maxima Z CNG | AT1 - BAJAJ Maxima CNG



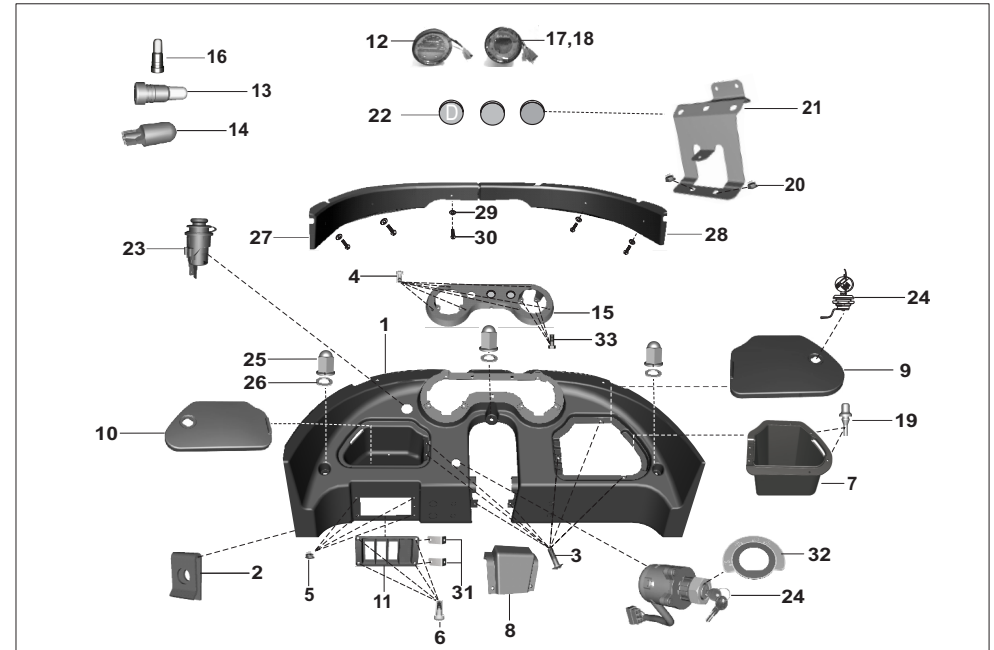
No.	Part No.	Description	Max.Z		Max.		C		Remarks
			RA	AZ	AT	AT1	AN		
1	RA402212	Harness wiring front	1	-	-	-			
1	AZ402216	Harness wiring front	-	1	-	-			
1	AT402218	Harness wiring front (old)	-	-	1	-			
1	AT402223	Harness wiring front	-	-	1	-			
1	AT402210	Harness wiring front (old)	-	-	-	1			
1	AT402221	Harness wiring front	-	-	-	1			
2	RA402222	Harness wiring rear	1	-	-	-			
2	AZ402232	Harness wiring rear	-	1	-	-			
2	AT402219	Harness wiring rear (old)	-	-	1	-			
2	AT402225	Harness wiring rear	-	-	1	-			
2	AT402211	Harness wiring rear	-	-	-	1			
3	AZ402218	Harness wiring earth	1	1	-	-			
3	AT402214	Cable earth	-	-	1	1			
4	AA201380	Cable earth - engine to chassis	1	1	-	-			
4	24201616	Cable earth-engine to chassis	-	-	1	1			
5	At402212	Cable Battery	1	1	1	1			
6	60111420	Cable tie lock 4.8 1.2 160 PA66 B	5	5	5	5			

RA - BAJAJ Maxima Z LPG | AT - BAJAJ Maxima LPG
AZ - BAJAJ Maxima Z CNG | AT1 - BAJAJ Maxima CNG



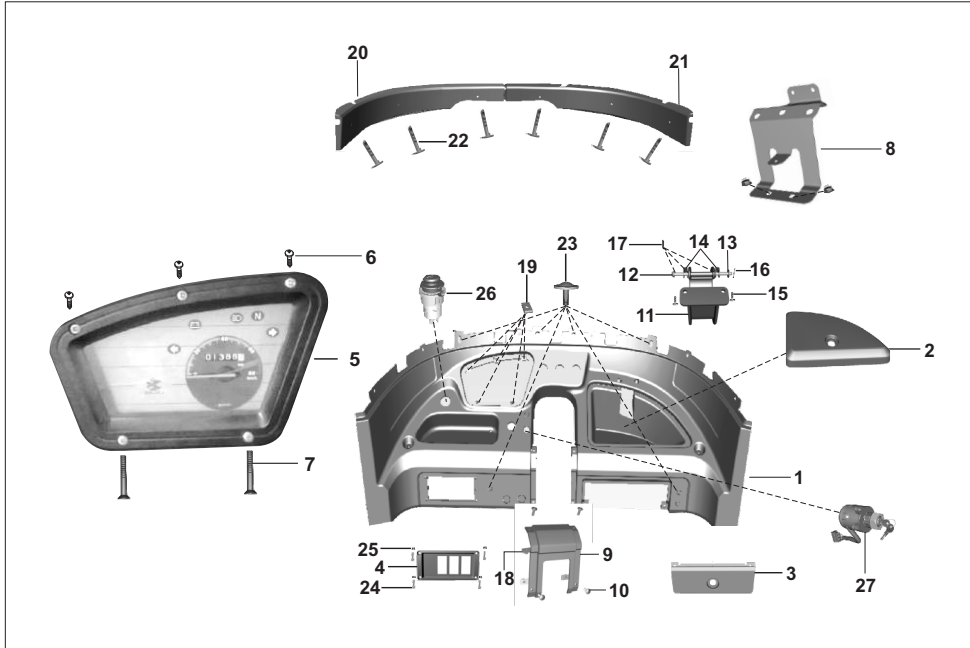
No.	Part No.	Description	Max.Z		Max.		C	Remarks
			RA	AZ	AT	AT1		
1	AA161215	Dashboard plastic	1	1	-	-		
2	CE181015	Nut - clip	15	15	-	-		
3	59010005	Screw	9	9	-	-		
4	59010007	Screw - cross recess	6	6	-	-		
5	39197215	Nut - hexagon	4	4	-	-		
6	39152301	Screw pan cross	4	4	-	-		
7	AA161309	Toolbox RH side	1	1	-	-		
7	24161368	Toolbox RH side	1	1	-	-		
8	AA161310	Cover middle portion	1	1	-	-		
8	24161371	Cover middle portion	1	1	-	-		
9	AA161307	Lid tool box RH	1	1	-	-		
9	AL161503	Lid tool box RH plastic	1	1	-	-		
10	AA161308	Lid tool box LH	1	1	-	-		
10	AL161502	Lid tool box LH	1	1	-	-		
11	24161492	Cover for switches	1	1	-	-		
12	AZ402403	Speedometer assly	1	1	-	-		
13	CM201054	Lamp :- 12v - 2w,Without cap	1	1	-	-		
14	DL191020	Lamp :- 12v - 3w,Without cap	1	1	-	-		
15	AA161306	Cover speedometer	1	1	-	-		
15	AA161216	Cover speedometer	1	1	-	-		

RA - BAJAJ Maxima Z LPG | AT - BAJAJ Maxima LPG
AZ - BAJAJ Maxima Z CNG | AT1- BAJAJ Maxima CNG



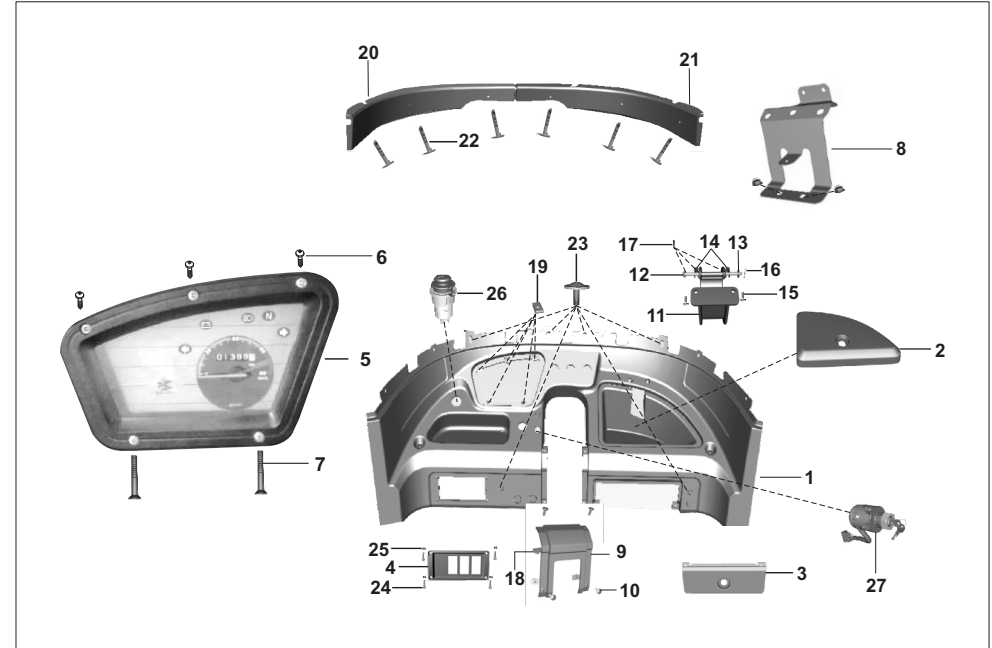
No.	Part No.	Description	Max.Z		Max.		C	Remarks
			RA	AZ	AT	AT1		
16	AA201341	Lamp 12V 1.7W	4	4	-	-		
17	RA402602	Indicator assly RH pod lpg	1	-	-	-		
18	AZ402600	Indicator assly RH pod cng	-	1	-	-		
19	24230198	Pad - rubber	2	2	-	-		
20	KCGD0808	Nut hex flanged-control bkt	2	2	-	-		
21	AA161225	Bracket control mounting	1	1	-	-		
22	AZ161213	Knob choke	1	1	-	-		
23	AL201100	Charger mobile	1	1	-	-		
24	36AA4028	Ignition lock(AA201254)with key	1	1	-	-		kit-36
25	39170415	Domed cap nut M6	3	3	-	-		
26	39021111	Washer plain	3	3	-	-		
27	AA161327	Trim upper small LH	1	1	-	-		
27	AA161218	Trim upper small LH	1	1	-	-		
28	AA161328	Trim upper small RH	1	1	-	-		
28	AA161219	Trim upper small RH	1	1	-	-		
29	KDBB0512	Washer_plain	5	5	-	-		
30	KBBA0525	Screw pan cross	5	5	-	-		
31	AA161290	Bracket harness	1	1	-	-		
32	AA201258	Label (Parking-OFF-ON)	1	1	-	-		
33	39245401	Hexagon head screw-M5X14	6	6	-	-		

RA - BAJAJ Maxima Z LPG | AT - BAJAJ Maxima LPG
AZ - BAJAJ Maxima Z CNG | AT1- BAJAJ Maxima CNG



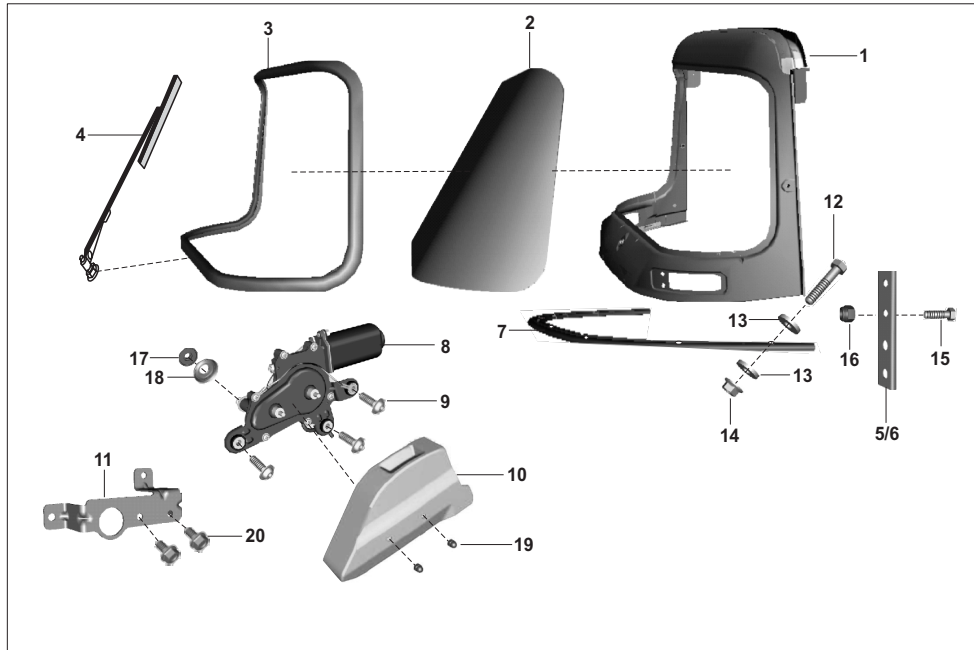
No.	Part No.	Description	Max.Z		Max.		C	Remarks
			RA	AZ	AT	AT1		
1	AN161220	Dashboard	-	-	1	1		
2	AL161382	Lid glove box	-	-	1	1		
3	AL161390	Assembly lid stereo	-	-	1	1		
4	AN161086	Cover switch	-	-	1	1		
5	AT402409	Cluster instrument	-	-	1	1		
6	AL191028	Screw M4	-	-	3	3		
7	KBCD0430	Screw csk cross	-	-	2	2		
8	BB161130	Bracket knob mounting	-	-	1	1		
9	AL161381	Cover steering	-	-	1	1		
10	39190701	Mushroom head screw	-	-	6	6		
11	AL161184	Hinge glove box lid	-	-	1	1		
12	AL161186	Pin dashboard hinge	-	-	1	1		
13	39217924	Washer,5.1X10X1.0	-	-	1	1		
14	AL161185	Clip glove box lid	-	-	2	2		
15	39186002	Screw cross recessed pan head	-	-	2	2		
16	39015108	Pin split	-	-	1	1		
17	39096011	Washer curved spring	-	-	3	3		
18	35161060	Nut - clip	-	-	10	10		
19	CE181015	Nut clip	-	-	5	5		
20	BB161101	Trim upper large RH	-	-	1	1		

RA - BAJAJ Maxima Z LPG | AT - BAJAJ Maxima LPG
AZ - BAJAJ Maxima Z CNG | AT1- BAJAJ Maxima CNG



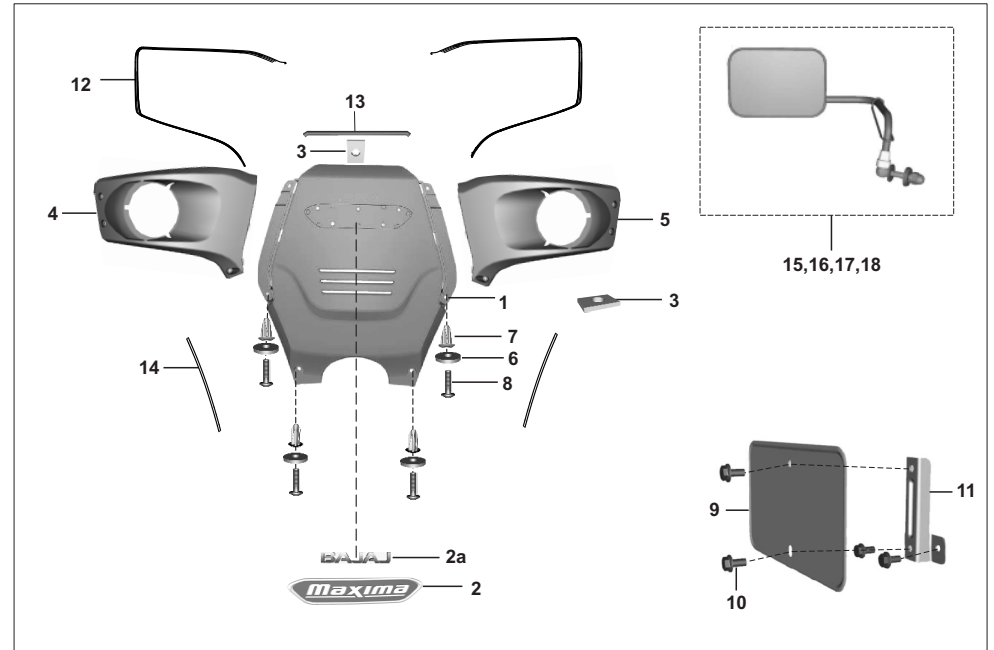
No.	Part No.	Description	Max.Z		Max.		C	Remarks
			RA	AZ	AT	AT1		
21	BB161100	Trim upper large LH	-	-	1	1		
22	LBU00047	Screw Truss Bright	-	-	6	6		fr.05.12.2016
23	LBU00051	Screw Truss Taper-washer L30	-	-	6	6		fr.05.12.2016
24	KBAA0514	Screw-pan	-	-	4	4		
25	KCLA0506	Nut u flanged	-	-	4	4		
26	AL201100	Mobile charger	-	-	1	1		
27	36AT0001	Kit ignition lock with key (AT401406)	-	-	1	1		Kit-37

RA - BAJAJ Maxima Z LPG | AT - BAJAJ Maxima LPG
AZ - BAJAJ Maxima Z CNG | AT1- BAJAJ Maxima CNG



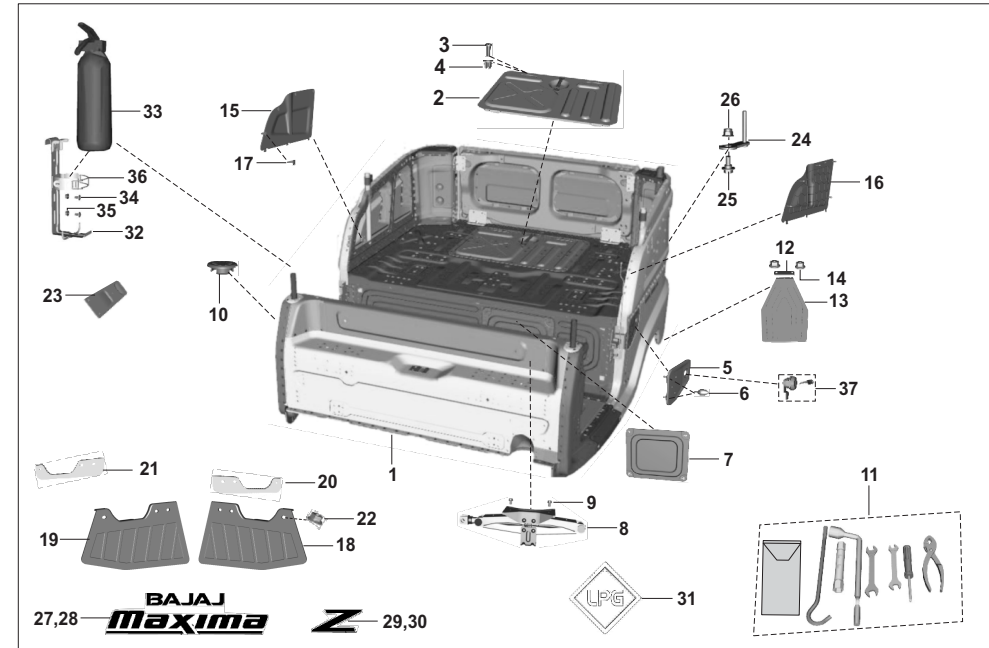
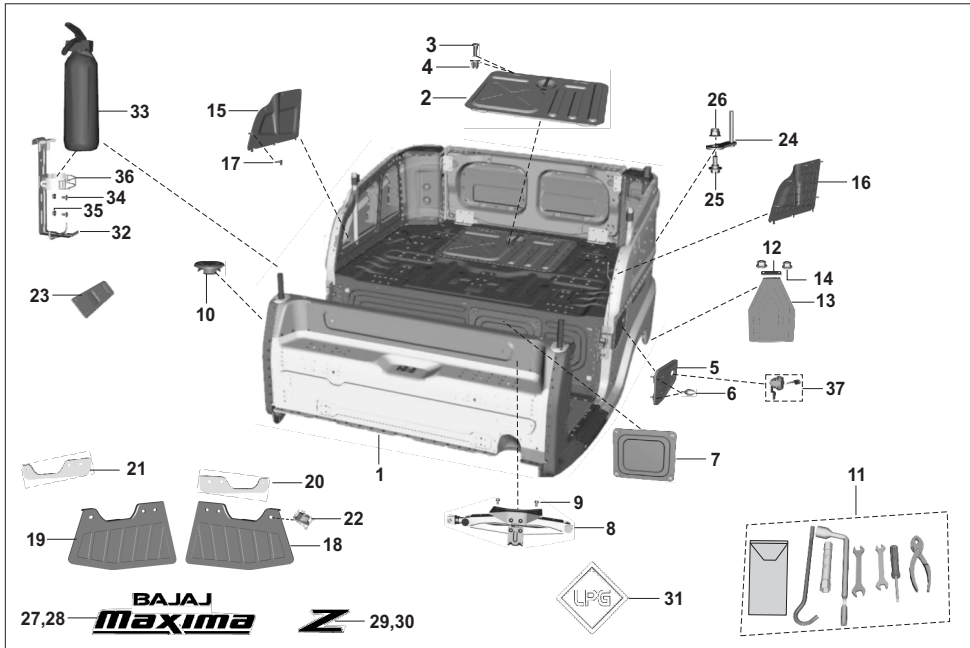
No.	Part No.	Description	Max.Z		Max.		C		Remarks
			RA	AZ	AT	AT1	AN		
1	52240645	Wind shield assly ED	1	1	1	1			24231593
2	BH184000	Glass one piece	1	1	1	1			
3	AA231239	Beading one piece w/s glass	1	1	1	1			
4	AL241023	Wiper assly	1	1	1	1			
5	24231615	Joint plate LH	1	1	1	1			
6	24231616	Joint plate RH	1	1	1	1			
7	24231641	Packing shield and w shield	1	1	1	1			
8	AA201263	Wiper motor with capacitor	1	1	1	1			
9	LAC00008	Bolt socket	3	3	3	3			
10	AA231223	Cover wiper motor black	1	1	1	1			
11	24231625	Bracket wiper motor mounting	1	1	1	1			
12	KAAA0525	Bolt	11	11	11	11			
13	39025811	Plain washer	18	18	18	18			
14	KCGA0505	Flange nut	11	11	11	11			
15	KAAA0516	Screw - hexagon head :- M5	8	8	8	8			
16	39032615	Flanged nut	11	11	11	11			
17	24201525	Grommet wiper motor big	1	1	1	1			
18	BH111071	Cap wiper motor big	1	1	1	1			
19	24231475	Nut dome cap-M5 cover wiper	2	2	2	2			
20	KADA0612	Bolt flanged - cap wiper motor	2	2	2	2			

RA - BAJAJ Maxima Z LPG | AT - BAJAJ Maxima LPG
AZ - BAJAJ Maxima Z CNG | AT1 - BAJAJ Maxima CNG



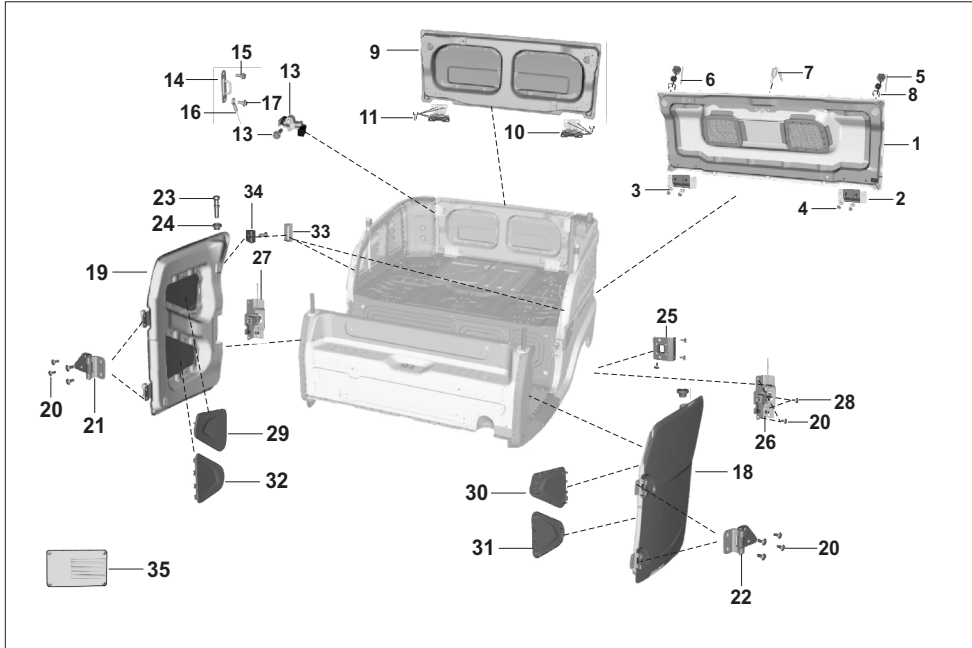
No.	Part No.	Description	Max.Z		Max.		C		Remarks
			RA	AZ	AT	AT1	AN		
1	AZ185010	Assly cover steering	1	1	1	1			
2	AZ233009	Emblem maxima	1	1	1	1			
2a	AZ233008	Emblem bajaj	1	1	1	1			
3	24165214	Grommet steering cover	1	1	1	1			
4	AA161190	Housing headlamp LH	1	1	-	-			
4	BB161096	Housing headlamp LH	-	-	1	1			
5	AA161191	Housing headlamp RH	1	1	-	-			
5	BB161097	Housing headlamp RH	-	-	1	1			
6	39045411	Washer - plain	4	4	4	4			
7	AL161236	Plug for blinker housing	4	4	4	4			
8	59010005	Screw round head	4	4	4	4			
9	22161221	Plate -number	1	1	1	1			
10	391680 04	Bolt for fr. no plate mtg	4	4	4	4			
11	24165132	Bracket fr number plate mtg	1	1	1	1			
12	AA161268	Beading housing headlamp	2	2	2	2			
13	AA161269	Beading steering cover upper	1	1	1	1			
14	AA161270	Beading st. cover lower	2	2	2	2			
15	BB221018	Mirror maxima RH	1	1	-	-			
16	BB221017	Mirror maxima LH	1	1	-	-			
17	AT184601	Mirror assembly-RH	-	-	1	1			
18	AT184602	Mirror assembly-LH	-	-	1	1			

RA - BAJAJ Maxima Z LPG | AT - BAJAJ Maxima LPG
AZ - BAJAJ Maxima Z CNG | AT1 - BAJAJ Maxima CNG



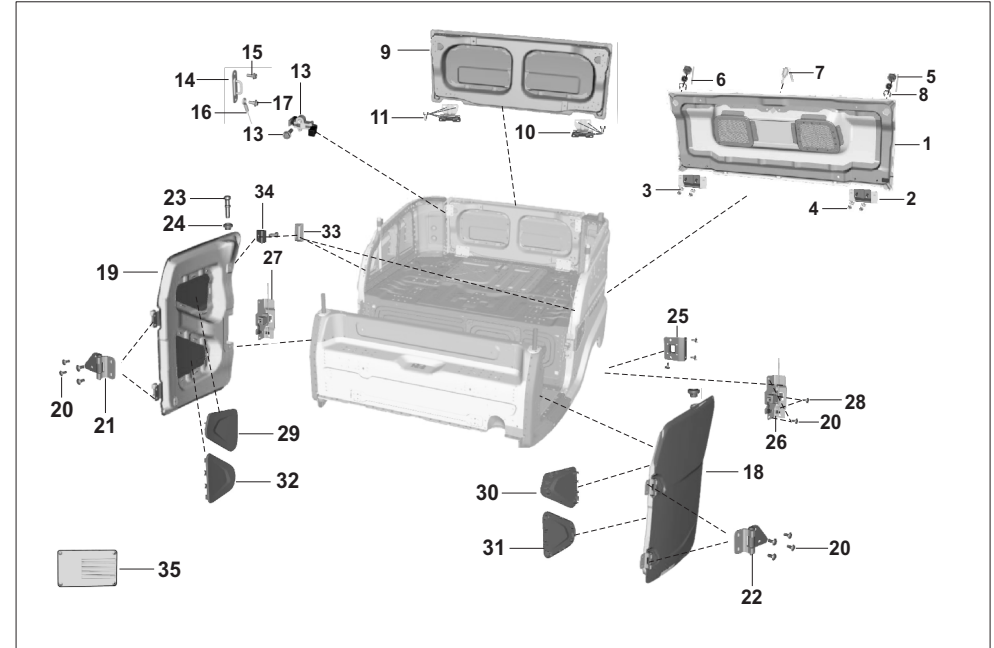
No.	Part No.	Description	Max.Z		Max.		C	Remarks
			RA	AZ	AT	AT1		
1	52AZ0175	Assly body with wheel arch	1	1	-	-		AZ211042
2	52BH0210	Door engine access	2	2	-	-		AZ211329
3	KBUC0516	Screw - truss - M5 X 16L, 4.8	2	2	-	-		
4	AL161509	Grommet screw eng door	2	2	-	-		
5	52AZ0178	Door assembly fuel filling	1	1	-	-		AZ241002
6	6221028	Shockabsorber pad	2	2	-	-		
7	52AZ0174	Cover battery access	1	1	-	-		AZ211049
8	BB221004	Jack assly.	1	1	-	-		
9	KADD0612	Bolt flanged	8	8	-	-		
10	AZ182403	Cap spare wheel mtg bolt	1	1	-	-		
11	AZ231005	Tool kit	1	1	-	-		
12	BH181402	Plate for mudflap	2	2	-	-		
13	AZ181401	Flap mud-rear	1	1	-	-		
14	39271115	Nut flange	4	4	-	-		
15	AZ182402	Trim pad pass body RH UG	1	1	-	-		
16	AZ182401	Trim pad pass body LH UG	1	1	-	-		
17	BF241152	Rivet plastic door edge beading	10	10	-	-		
18	BB161244	Mudflap rear LH	1	1	-	-		
19	BB161245	Mudflap rear RH	1	1	-	-		
20	BH181405	Plate mudflap support LH	1	1	-	-		
21	BH181406	Plate mudflap support RH	1	1	-	-		

No.	Part No.	Description	Max.Z		Max.		C	Remarks
			RA	AZ	AT	AT1		
22	KCGA0505	Nut hex flanged	6	6	-	-		
23	AZ181204	Cover trim	2	2	-	-		
24	BH211201	Assembly plate link frame body	1	1	-	-		
25	GF161156	Bolt step-m6x1-olive	1	1	-	-		
26	KCKA0609	Nut nyloc flanged	1	1	-	-		
27	AZ233013	Label bajaj maxima-black	1	1	-	-		
28	AZ233012	Label bajaj maxima-white	1	1	-	-		
29	AZ233014	Label z-maxima black	1	1	-	-		
30	AZ233015	Label z-maxima white	1	1	-	-		
31	AM161020	Label LPG	2	-	2	-		
32	AF221022	Assly bracket fire exting mtg	1	1	1	1		
33	AF221005	Extinguisher fire safex	1	1	1	1		
34	KBUA0612	Screw truss	2	2	2	2		
35	KCGA0606	Nut hex flanged	2	2	2	2		
36	AS230005	Clamp	1	1	1	1		
37	36AZ0051	Door fuel filling lock with key	1	1	-	-		



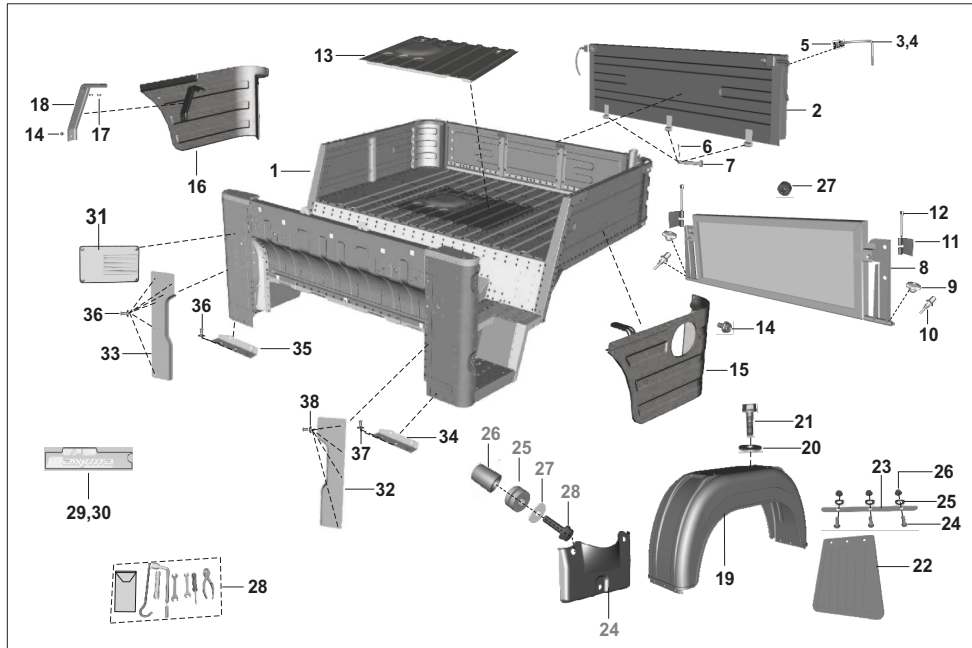
No.	Part No.	Description	Max.Z		Max.		C	Remarks
			RA	AZ	AT	AT1		
1	52BH0209	Assembly door rr eng access	1	1	-	-		Az244002
2	AZ244017	Assembly hinge eac	2	2	-	-		
3	KDBB0818	Washer_plain	4	4	-	-		
4	KCGC0606	Nut hex flanged	8	8	-	-		
5	BH211165	Knob rear door lower	2	2	-	-		
6	BH211163	Rubber damper rear door upper	2	2	-	-		
7	BH211158	Rubber damper rear door lower	3	3	-	-		
8	KECA0415	Circlip-type-e-	2	2	-	-		
9	52AZ0180	Door rear upper - Z-AZ244001	1	1	-	-		
10	AZ247000	Assembly hinge rr upper door	2	2	-	-		
11	KADF0816	Bolt flanged	8	8	-	-		
12	BH241800	Latch door rear upper	2	2	-	-		
13	LAD00064	Bolt flanged-m6x1xl 20xpre-coat	2	2	-	-		
14	BH211051	Bracket hook upper door	2	2	-	-		
15	KADF0616	Bolt flanged	2	2	-	-		
16	az244026	cable door holding	2	2	-	-		
17	BH211057	Bolt shoulder	4	4	-	-		
18	52AZ0176	Assembly side door LH	1	1	-	-		Az241000
19	52AZ0177	Assembly side door RH	1	1	-	-		Az241001
20	KBUC0614	Screw truss	24	24	-	-		

RA - BAJAJ Maxima Z LPG | AT - BAJAJ Maxima LPG
AZ - BAJAJ Maxima Z CNG | AT1- BAJAJ Maxima CNG



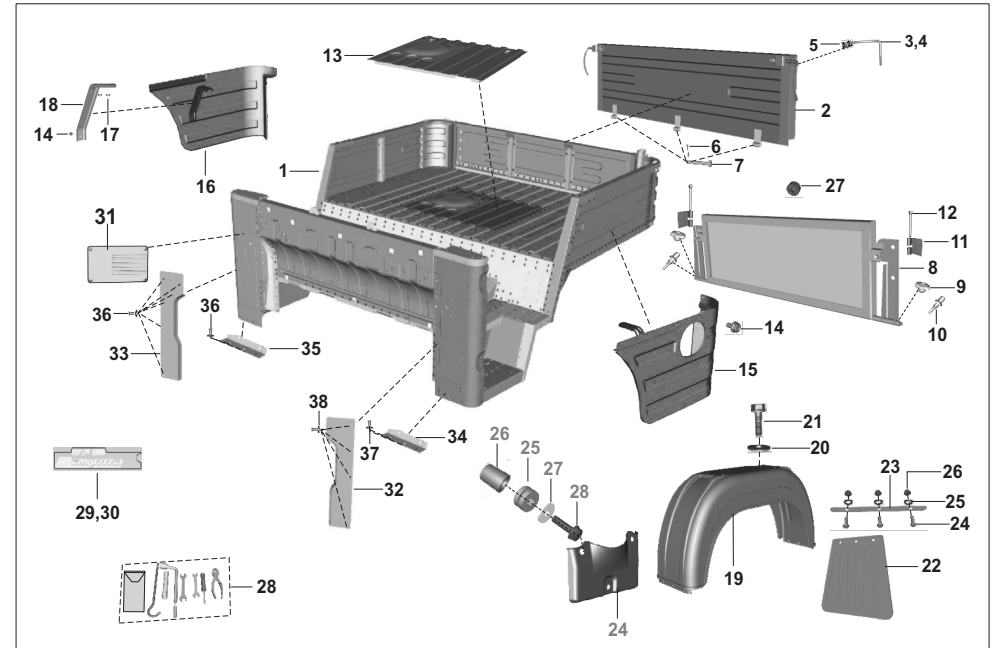
No.	Part No.	Description	Max.Z		Max.		C	Remarks
			RA	AZ	AT	AT1		
21	AZ241402	Assembly hinge side door RH	2	2	-	-		
22	AZ241401	Assembly hinge side door LH	2	2	-	-		
23	AL241395	Knob door lock	2	2	-	-		
24	AZ241039	Guide knob mtg side door	2	2	-	-		
25	AZ242004	Plate striker latch	2	2	-	-		
26	AZ242002	Latch assembly side door LH	1	1	-	-		
27	AZ242003	Latch assembly side door RH	1	1	-	-		
28	KBUC0620	Screw truss- latch	4	4	-	-		
29	AZ181004	Trim door top-LH	1	1	-	-		
30	AZ181006	Trim door top-RH	1	1	-	-		
31	AZ181007	Trim door bottom-RH	1	1	-	-		
32	AZ181005	Trim door bottom-LH	1	1	-	-		
33	AZ241029	Damper body side upr	2	2	-	-		
34	AZ241031	Damper side door upr	2	2	-	-		
35	AF221011	Plate compliance CNG	-	1	-	1		

RA - BAJAJ Maxima Z LPG | AT - BAJAJ Maxima LPG
AZ - BAJAJ Maxima Z CNG | AT1- BAJAJ Maxima CNG



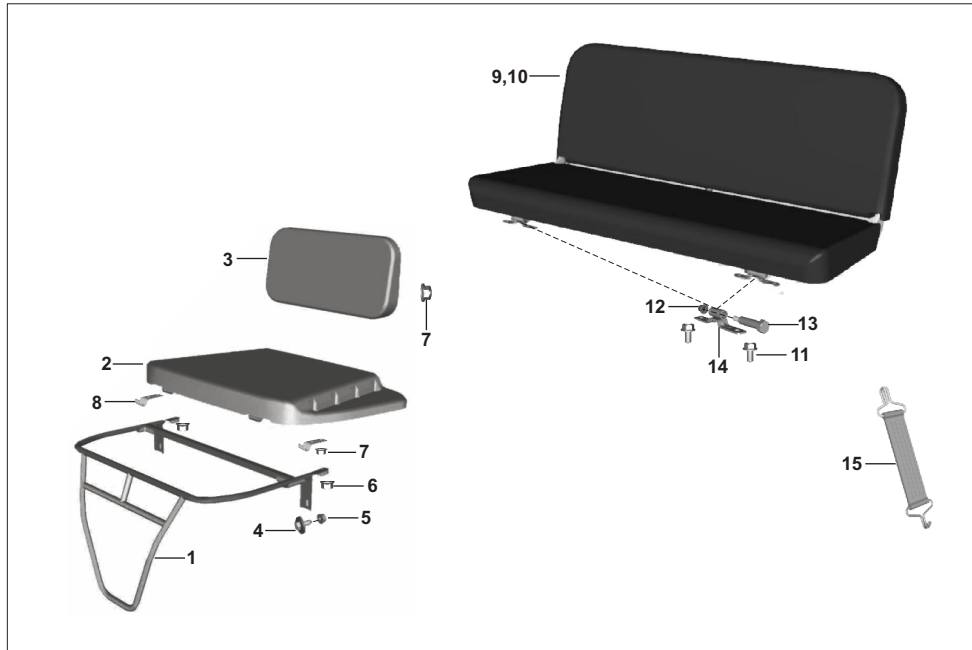
No.	Part No.	Description	Max.Z		Max.		C	Remarks
			RA	AZ	AT	AT1		
1	52BB0360	Assly body complete- ED	-	-	1	1		At211332
2	52BB0361	Door rear upper- ED	-	-	1	1		At244042
3	AL241277	Handle assembly LH	-	-	1	1		
4	AL241278	Handle assembly RH	-	-	1	1		
5	39029615	Hexagon nut	-	-	4	4		
6	KHAA3225	Pin cotter	-	-	3	3		
7	LHE00005	PIN -DIA. 8XL 85 Hinge rr upper	-	-	3	3		
8	BB161171	Assembly guard rear	-	-	1	1		
9	24231245	Knob rear door lower	-	-	2	2		
10	24230198	Pad rubber	-	-	2	2		
11	BB161204	Bracket tie rod	-	-	2	2		
12	39014708	Pin split	-	-	2	2		
13	52BB0362	Door engine access ED	-	-	1	1		At211407
14	KADA0510	Bolt flanged-WB	-	-	14	14		
15	BB231369	Cover rear LH	-	-	1	1		
16	BB231370	Cover rear RH	-	-	1	1		
17	KCGF0505	Nut hex flanged-	-	-	4	4		
18	BB231451	Stiffner side cover re445	-	-	2	2		
19	AL161377	Rear mudguard	-	-	2	2		
20	39121111	Plain washer	-	-	8	8		
21	KADF0618	Bolt-flanged-small-WB	-	-	8	8		
22	AL161226	Mud flap For rear mudguard	-	-	2	2		
23	AL161229	Strip for mud flap	-	-	2	2		

RA - BAJAJ Maxima Z LPG | AT - BAJAJ Maxima LPG
AZ - BAJAJ Maxima Z CNG | AT1 - BAJAJ Maxima CNG



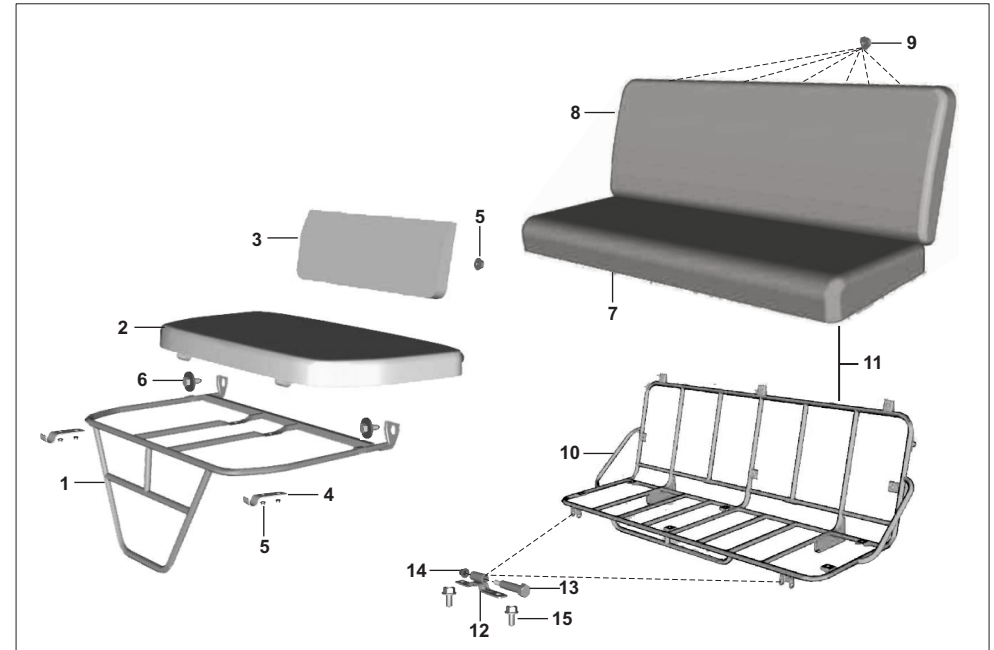
No.	Part No.	Description	Max.Z		Max.		C	Remarks
			RA	AZ	AT	AT1		
24	KAAA0514	Bolt (39007104)	-	-	6	6		
25	39026212	Washer - spring	-	-	6	6		
26	39248415	Nut (old)	-	-	6	6		
26	KCGA0505	Nut hex flanged	-	-	6	6		
27	AL241767	Rubber stopper tray rear door	-	-	2	2		
28	AT231001	Toolkit complete	-	-	1	1		
29	BB231659	Label bajaj maxima hd white	-	-	1	1		
30	BB231658	Label bajaj maxima hd black	-	-	1	1		
31	AF221011	Plate compliance CNG	-	-	-	1		
32	52AT0135	Cover panel boltable body FR LH	-	-	1	1		At211281
33	52AT0136	Cover panel boltable body FR RH	-	-	1	1		At211282
34	52AT0137	Cover lower front LH	-	-	1	1		At211439
35	52AT0138	Cover lower front RH	-	-	1	1		At211440
36	KBUA0614	Screw truss	-	-	19	19		
37	KDBB1022	Washer_plain	-	-	4	4		
38	39023911	Plain washer	-	-	15	15		
24	AL101053	Guard splash	-	-	1	1		
25	DG141019	Damper	-	-	3	3		
26	31201001	Collar	-	-	3	3		
27	39121111	Plain washer	-	-	2	2		
28	39155204	Flange bolt-m6	-	-	2	2		

RA - BAJAJ Maxima Z LPG | AT - BAJAJ Maxima LPG
AZ - BAJAJ Maxima Z CNG | AT1 - BAJAJ Maxima CNG



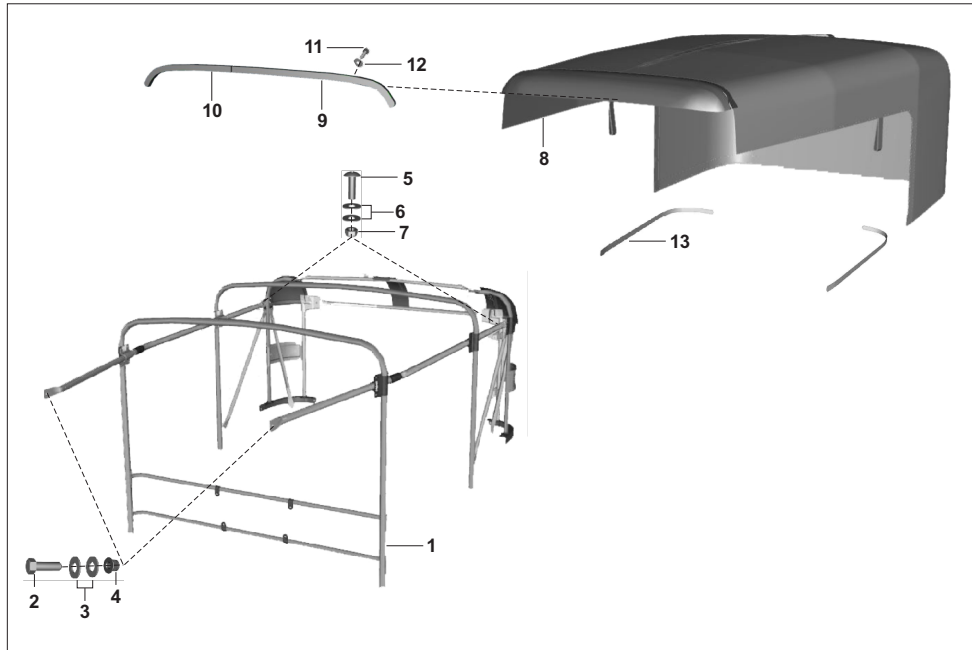
No.	Part No.	Description	Max.Z		Max.		C	Remarks
			RA	AZ	AT	AT1		
1	AZ191004	Assly frame driver seat	1	1	-	-		
2	AZ191014	Seat assly driver black	1	1	-	-		
2	AZ191015	Seat assly driver brown	1	1	-	-		
3	BH191019	Driver backrest	1	1	-	-		
4	24211026	Bolt combination	2	2	-	-		
5	KCGA0808	Nut hex flanged	2	2	-	-		
6	KCGA0606	Nut - seat frame	2	2	-	-		
7	KCGA0505	Nut hex flanged	8	8	-	-		
8	BH191032	Bracket seat base mtg	2	2	-	-		
9	BH191061	Assembly passenger seat	1	1	-	-		
10	AY191010	Assembly seat passenger brown	1	1	-	-		
11	KADA0816	Bolt flanged	4	4	-	-		
12	KCKC0811	Nut nyloc flange	2	2	-	-		
13	LAA00033	Bolt	2	2	-	-		
14	BH191077	Bracket assembly hinge mounting	2	2	-	-		
15	BB231269	Strap assy passenger seat clamp	2	2	-	-		

RA - BAJAJ Maxima Z LPG | AT - BAJAJ Maxima LPG
AZ - BAJAJ Maxima Z CNG | AT1 - BAJAJ Maxima CNG



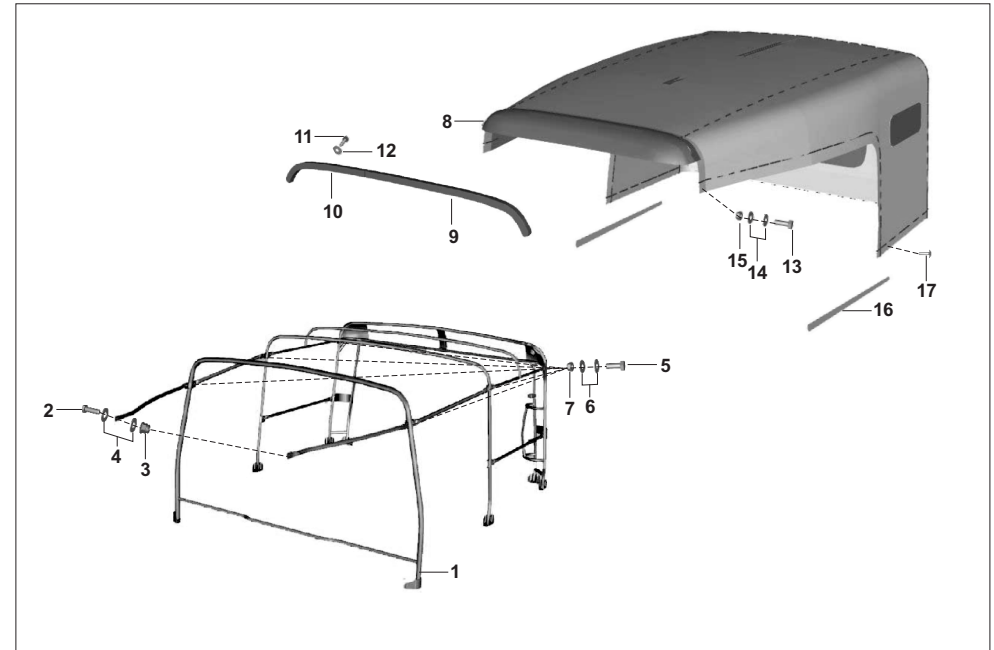
No.	Part No.	Description	Max.Z		Max.		C	Remarks
			RA	AZ	AT	AT1		
1	AT191009	Frame driver seat- WB	-	-	1	1		
2	AT191025	Seat assly driver black	-	-	1	1		
3	BB211010	Driver backrest (old)	-	-	1	1		
3	AT191027	Backrest assembly driver black	-	-	1	1		
4	BH191032	Bracket seat base mtg	-	-	2	2		
5	KCGA0505	Nut hex flanged	-	-	10	10		
6	24211026	Bolt combination	-	-	2	2		
7	AT191016	Cushion assembly-seat passenger	-	-	1	1		
8	AT191012	Backrest assembly-passenger	-	-	1	1		
9	KCGF0606	Nut hex flanged	-	-	12	12		
10	AT191020	Frame passenger seat tubular	-	-	1	1		
11	AT191024	Seat assembly passenger	-	-	1	1		
12	AT191022	Bracket assembly-hinge	-	-	2	2		
13	LAA00033	Bolt	-	-	2	2		
14	KCKC0811	Nut nyloc flange	-	-	2	2		
15	KADF0816	Bolt flanged	-	-	4	4		

RA - BAJAJ Maxima Z LPG | AT - BAJAJ Maxima LPG
AZ - BAJAJ Maxima Z CNG | AT1 - BAJAJ Maxima CNG



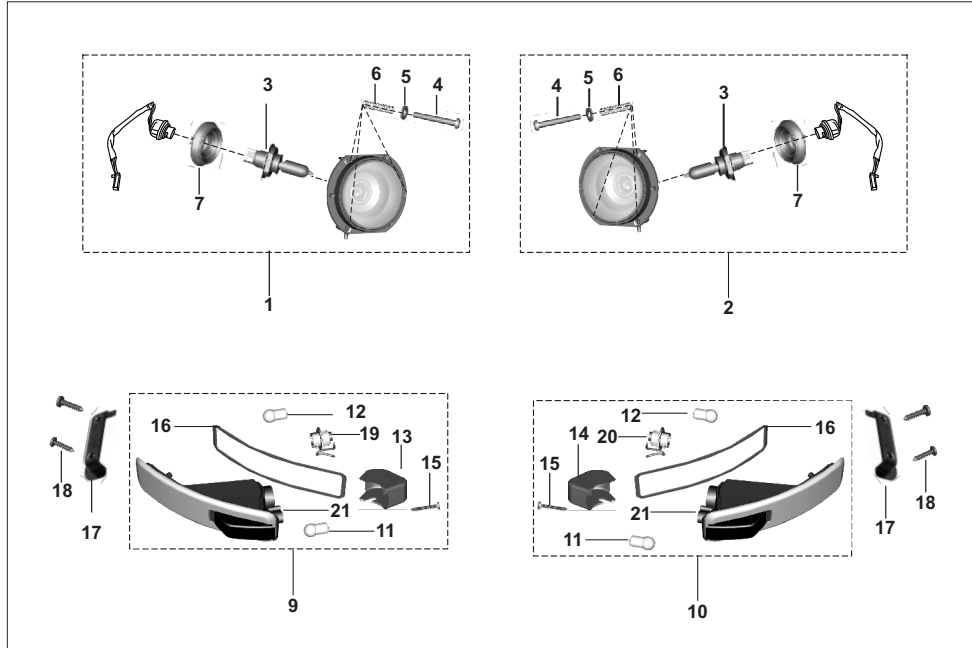
No.	Part No.	Description	Max.Z		Max.		C	Remarks
			RA	AZ	AT	AT1	AN	
1	AZ211093	Assly hood frame	1	1	-	-		
2	KAAA0825	Bolt	2	2	-	-		
3	KDBB1022	Washer_plain	4	4	-	-		
4	KCKA0811	Nut nyloc flanged	2	2	-	-		
5	KBUA0620	Screw truss	10	10	-	-		
6	39130911	Plain washer	12	12	-	-		
7	39135315	Nut nyloc M6X1	22	22	-	-		
8	AZ186001	Hood complete UG	1	1	-	-		
9	24231772	Stick assembly - hood	1	1	-	-		
10	24231775	Stick assembly - hood	1	1	-	-		
11	KBRA4819	Screw tapping pan cross	7	7	-	-		
12	39150111	Washer - plain	7	7	-	-		
13	24231871	Strip hood fixing	2	2	-	-		

RA - BAJAJ Maxima Z LPG | AT - BAJAJ Maxima LPG
AZ - BAJAJ Maxima Z CNG | AT1 - BAJAJ Maxima CNG



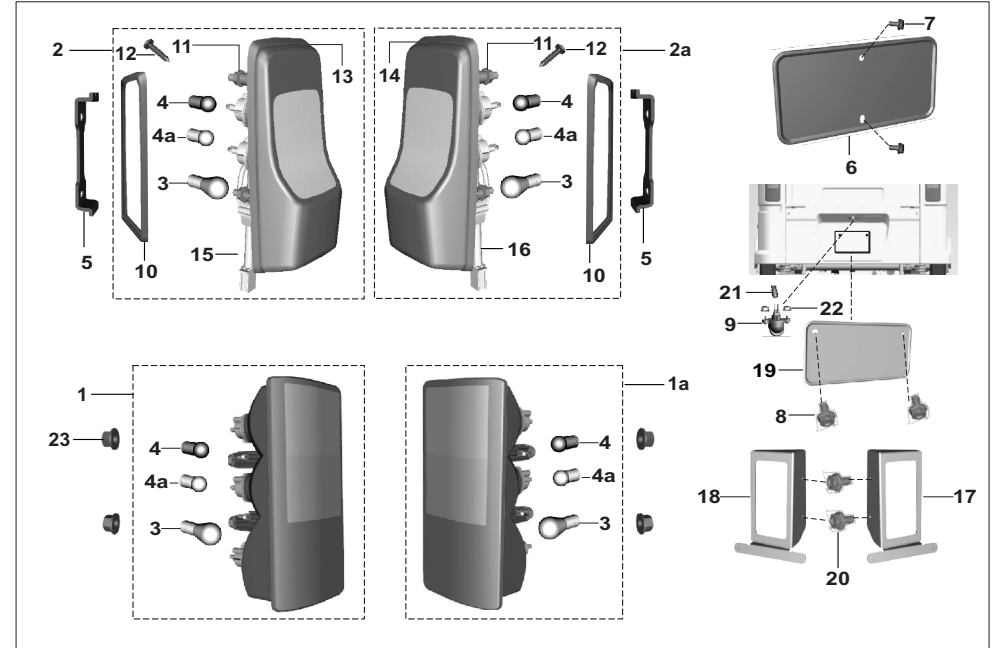
No.	Part No.	Description	Max.Z		Max.		C	Remarks
			RA	AZ	AT	AT1	AN	
1	AT211371	Frame assembly hood	-	-	1	1		
2	KAAA0825	Bolt	-	-	2	2		
3	KCKA0811	Nut nyloc flanged	-	-	2	2		
4	KDBB1022	Washer_plain	-	-	4	4		
5	KAAD0618	Bolt	-	-	14	14		
6	39023911	Plain washer	-	-	28	28		
7	39135315	Nut nyloc M6X1	-	-	14	14		
8	AT186001	Assembly hood	-	-	1	1		
9	24231772	Assembly stick hood I	-	-	1	1		
10	24231775	Assembly stick hood II	-	-	1	1		
11	KBRA4819	Screw tapping pan cross	-	-	7	7		
12	39150111	Washer - plain	-	-	7	7		
13	39092101	Screw pan cross M4	-	-	2	2		
14	39045411	Plain washer	-	-	4	4		
15	39028715	Nut hexagon	-	-	2	2		
16	AT186003	Strip hood	-	-	2	2		
17	24231630	Screw self drill	-	-	14	14		

RA - BAJAJ Maxima Z LPG | AT - BAJAJ Maxima LPG
AZ - BAJAJ Maxima Z CNG | AT1 - BAJAJ Maxima CNG



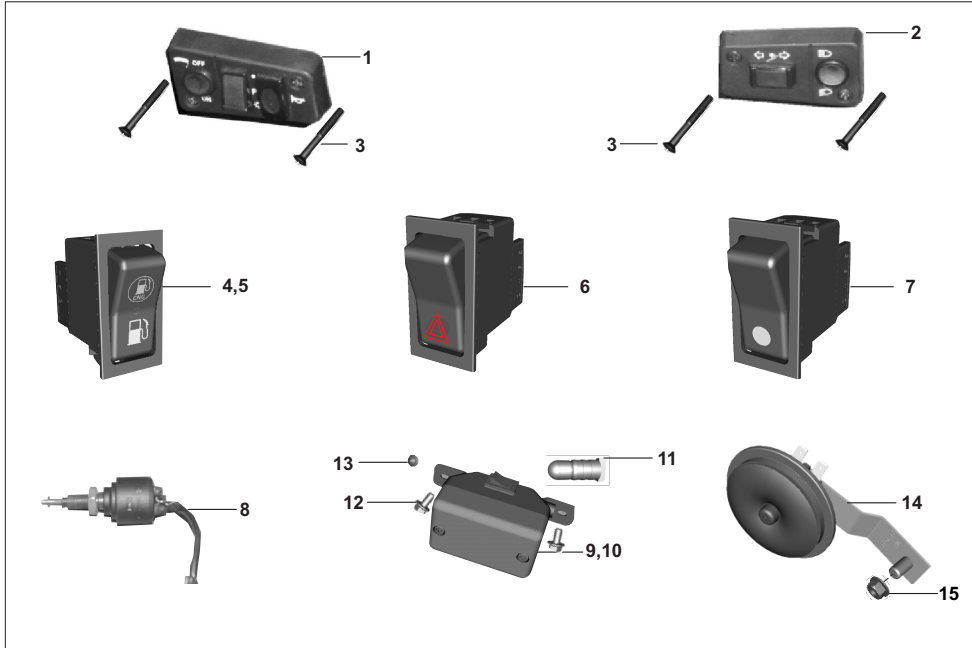
No.	Part No.	Description	Max.Z		Max.		C		Remarks
			RA	AZ	AT	AT1	AN		
1	AL201119	H/L Assly. LH	1	1	-	-			
1	BB201078	Light assy head lh with lamp	-	-	1	1			
2	AL201120	H/L Assly. RH	1	1	-	-			
2	BB201079	Light assy head rh with lamp	-	-	1	1			
3	CL2010 23	Lamp 12V-35/35w-HS1	2	2	2	2			
4	AA201264	Screw pan cross-M5	6	6	6	6			
5	39025811	Plain washer	6	6	6	6			
6	BB201070	Spring - Head lamp Mtg	6	6	6	6			
7	AA201262	Rubber cap headlamp	2	2	2	2			
9	24201487	Ind assly. Front LH/ Lamp	1	1	1	1			
10	24201488	Ind assly. Front RH/ Lamp	1	1	1	1			
11	JD401032	Bulb 12v 5w e-marked	2	2	2	2			
12	18201044	Lamp :- 12v - 10w - r 10w	2	2	2	2			
13	24201485	Cover Side Indicator Front LH	1	1	1	1			
14	24201486	Cover Side Indicator Front RH	1	1	1	1			
15	KBRC3519	Screw tapping pan cross	2	2	2	2			
16	24201484	Gasket Front Side Indicator	2	2	2	2			
17	24201523	Holder front indicator assly	2	2	2	2			
18	KBRC3516	Screw tapping pan cross	4	4	4	4			
19	24201502	Cable Fr Indi With Holder LH	1	1	1	1			
20	24201503	Cable Fr Indi With Holder RH	1	1	1	1			
21	24201504	Assly lens & rfltr fr ind	2	2	2	2			

RA - BAJAJ Maxima Z LPG | AT - BAJAJ Maxima LPG
AZ - BAJAJ Maxima Z CNG | AT1- BAJAJ Maxima CNG



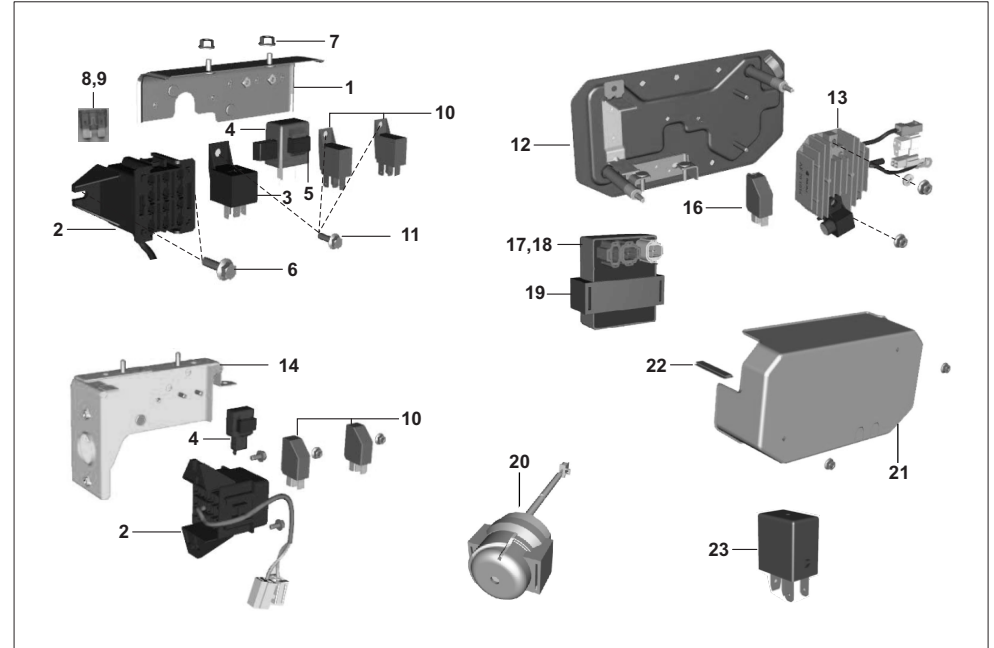
No.	Part No.	Description	Max.Z		Max.		C		Remarks
			RA	AZ	AT	AT1	AN		
1	AZ401001	Assly taillamp LH	1	1	-	-			
1a	AZ401002	Assly taillamp RH	1	1	-	-			
2	BB201104	Lamp assly tail-LH	-	-	1	1			
2a	BB201105	Lamp assly tail-RH	-	-	1	1			
3	20201029	Lamp 12V 21/5W	2	2	2	2			
4	GH201012	Lamp:-12V-10W (colour:-Amber)	4	4	4	4			
4a	18201044	Lamp :-12V - 10W - R 10W	4	4	4	4			
5	AA201090	Bracket - Tail Lamp	-	-	2	2			
6	22161221	Plate -number rear	1	1	1	1			
7	39168004	Bolt flange M6	4	4	-	-			
7	KADA0612	Bolt flange	-	-	6	6			
8	39194404	Flange Bolt	4	4	4	4			
9	BH401016	Number plate light with lamp	1	1	-	-			
10	24201476	Packing (Tail Lamp)	-	-	2	2			
11	KCGD0606	Nut hex flanged ind bkt	4	4	4	4			
12	KBRA4219	Screw tapping pan cross	4	4	4	-			
13	24201477	Lens tail light LH refl	-	-	1	1			
14	24201499	Lens tail light RH refl	-	-	1	1			
15	BB201109	Cable taillamp with holder LH	-	-	1	1			
16	BB201110	Cable taillamp with holder RH	-	-	1	1			
17	AT111137	Bracket lamp tail LH	-	-	1	1			
18	AT111138	Bracket assembly lamp tail RH	-	-	1	1			
19	AL161152	Plate number for rear	-	-	1	1			
20	KADA0814	Bolt flanged	-	-	4	4			
21	JD401032	Bulb 12v 5w e-marked	1	1	1	1			
22	39156015	Flange hexnut -M4	2	2	-	-			
23	39238315	Hex nut flange-M8	4	4	-	-			

RA - BAJAJ Maxima Z LPG | AT - BAJAJ Maxima LPG
AZ - BAJAJ Maxima Z CNG | AT1- BAJAJ Maxima CNG



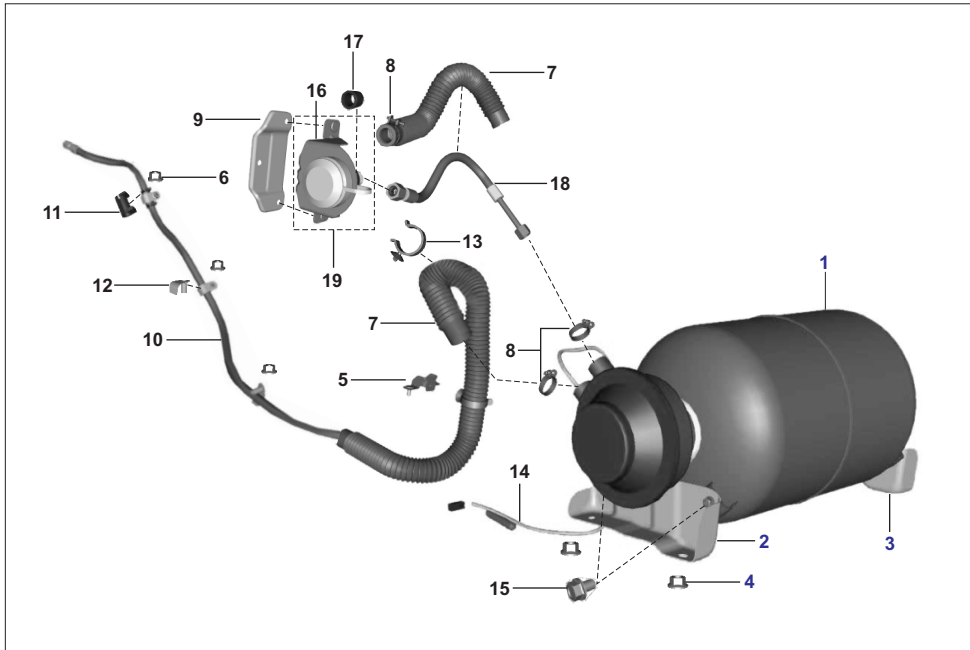
No.	Part No.	Description	Max.Z		Max.		C	Remarks
			RA	AZ	AT	AT1	AN	
1	AL201060	Control switch LH	1	1	1	1		
2	AM201116	Control switch RH	1	1	1	1		
3	AL201062	Screw switch	4	4	4	4		
4	RA401400	Switch G O P selection	1	-	1	-		
5	AZ401400	Switch G O P selection	-	1	-	1		
6	AB201077	Hazard switch	1	1	1	1		
7	AL201031	Switch 2 position	1	1	1	1		
8	AF201094	Brake switch	1	1	1	1		
9	AL201039	Lamp (light) Assly - Cabin	1	1	1	1		
10	AP201058	Cabin light assly	1	1	1	1		
11	24201515	Bulb 12v,10w,capless cab lt	1	1	1	1		
12	39220804	Bolt flanged M5x10 cabin light	2	2	2	2		
12	KADS0510	Bolt flange- engine Cabin light	-	-	-	2		
13	BH111092	Grommet wiring harness	2	2	2	2		
14	AA201239	Horn DC 12v with transil diode	1	1	1	1		
15	KCGA0808	Nut flanged	1	1	1	1		

RA - BAJAJ Maxima Z LPG | AT - BAJAJ Maxima LPG
AZ - BAJAJ Maxima Z CNG | AT1 - BAJAJ Maxima CNG



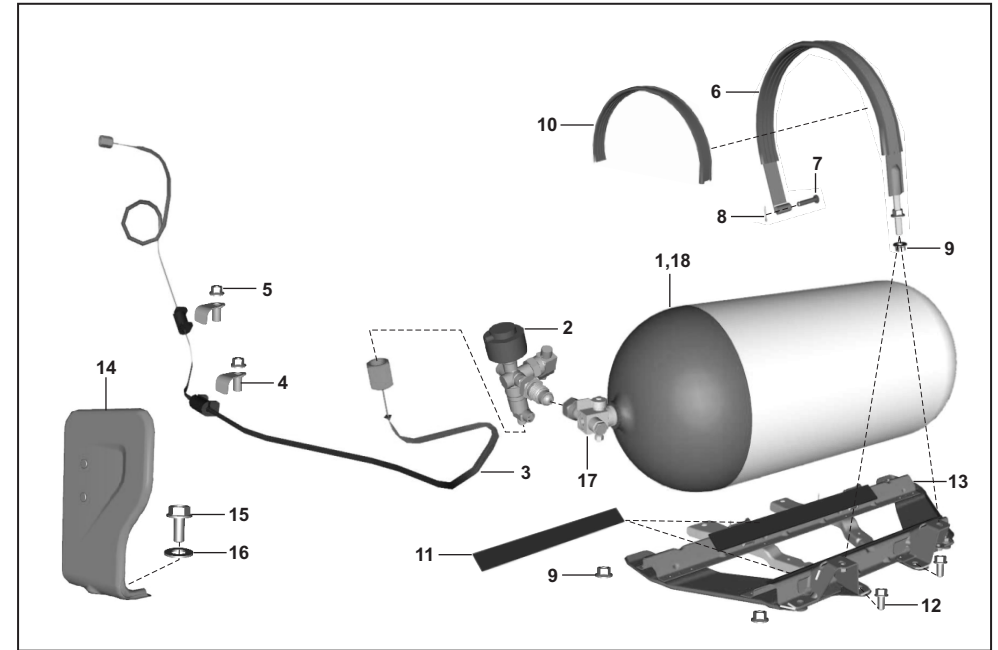
No.	Part No.	Description	Max.Z		Max.		C	Remarks
			RA	AZ	AT	AT1	AN	
1	AP201037	Plate electrical units front	1	1	-	-		
2	AN201012	Fuse box assly gas	2	2	2	2		
3	AF201001	Relay	-	1	-	1		
4	AB201076	Relay flasher	1	1	1	1		
5	31201029	Holder for relay	1	1	1	1		
6	39177304	Bolt flanged M5X16	2	2	-	-		
7	KCGD0606	Nut hex flanged	2	2	2	2		
8	AK201012	Fuse blade type 10 AMP	6	6	6	6		
9	DG201084	Fuse blade type 30 AMP	1	1	1	1		
10	AL201012	Head lamp control unit	2	2	2	2		
11	39220804	Bolt flanged M5X10	2	3	3	3		
12	AN161316	Plate assly electrical-rear	-	-	1	1		
13	AF201036	Assly. regulator	1	1	-	-		
13	AT402006	Regulator (New)	-	-	1	1		
14	AT111042	Bracket assly-electric unit	-	-	1	1		
15	22250132	Cable assembly electric white	-	1	-	-		NI
16	AL201012	Relay head light	4	4	4	4		
17	RA351207	CDI assly	1	-	-	-		
17	AT351203	CDI ASSEMBLY (New)	-	-	1	-		
18	AZ351216	CDI assly	-	1	-	-		
18	AT351202	CDI ASSEMBLY (New)	-	-	-	1		
19	AA111120	Damper for cdi-205fl	1	1	1	1		
20	JN351604	Starter relay	1	1	1	1		
21	AA161283	Cover rear electrical plate	-	-	1	1		
22	AA161081	Packing - cover	-	-	1	1		
23	JL403000	Interlock relay	1	1	-	-		

RA - BAJAJ Maxima Z LPG | AT - BAJAJ Maxima LPG
AZ - BAJAJ Maxima Z CNG | AT1 - BAJAJ Maxima CNG



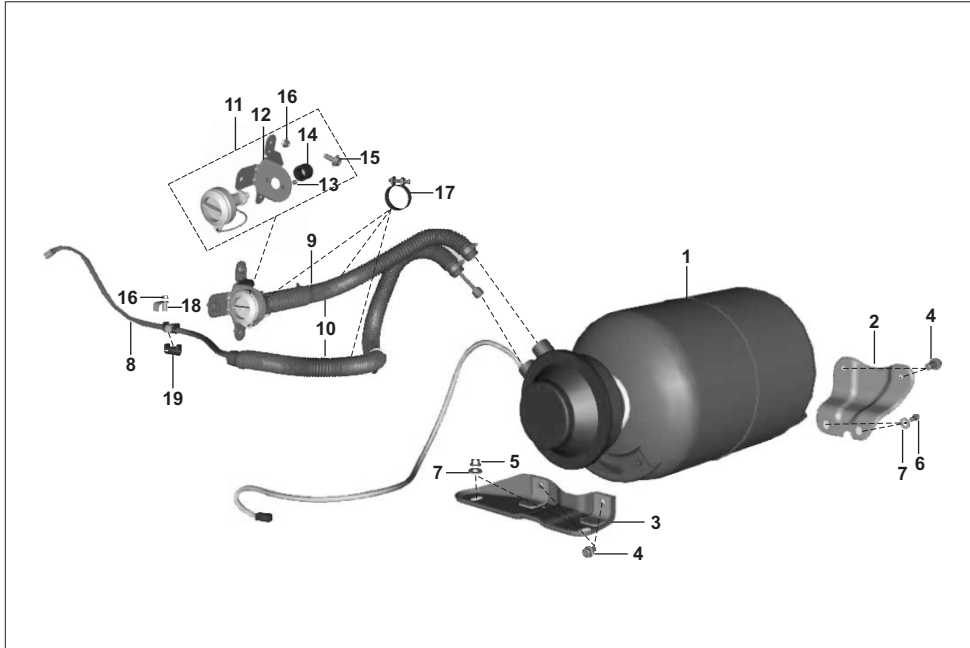
No.	Part No.	Description	Max.Z		Max.		C	Remarks
			RA	AZ	AT	AT1		
1	RA172052	Cylinder assly- LPG	1	-	-	-		
2	RA172051	Bracket cylinder mtg-RH	1	-	-	-		
3	RA172050	Bracket cylinder mtg-LH	1	-	-	-		
4	LCL00001	Nut hex flange-M10	4	-	-	-		
5	RA172047	Assly bracket hose mtg	1	-	-	-		
6	KCGA0606	Nut hex flanged	8	-	-	-		
7	RA172063	Hose vent	2	-	-	-		
8	BF172111	Clamp vent pipe	3	-	-	-		
9	RA172042	Reinforcement lpg filling mtg	1	-	-	-		
10	RA172022	Assly hose mv to lpr	1	-	-	-		
11	BF172103	Packing rubber metal clamp	3	-	-	-		
12	AZ172074	Clamp assembly	3	-	-	-		
13	BF172117	Clamp lpg vent pipe	2	-	-	-		
14	RA172057	Assly valve multifunction	1	-	-	-		
15	KADD0812	Bolt flanged	4	-	-	-		
16	RA172031	Assly bkt filling unit mtg	1	-	-	-		
17	RA172041	Bush rubber lpg hose	1	-	-	-		
18	RA171800	Assly hose mv to filling	1	-	-	-		
19	RA172032	Assly filling valve	1	-	-	-		

RA - BAJAJ Maxima Z LPG | AT - BAJAJ Maxima LPG
AZ - BAJAJ Maxima Z CNG | AT1 - BAJAJ Maxima CNG



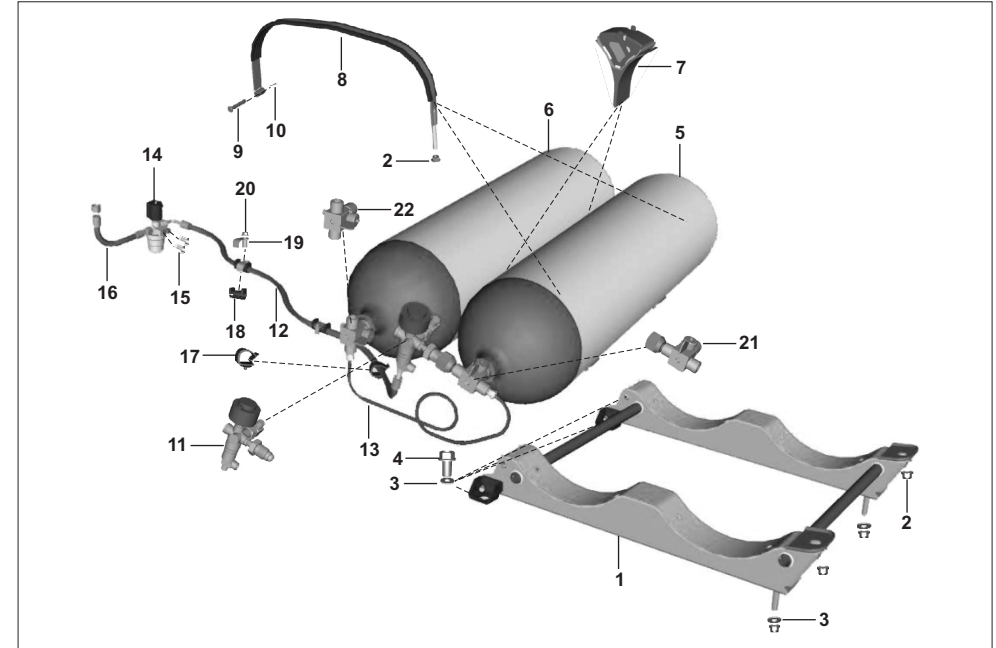
No.	Part No.	Description	Max.Z		Max.		C	Remarks
			RA	AZ	AT	AT1		
1	AZ172034	Assembly cng cylinder and valve	-	1	-	-		
2	AZ172036	Assembly hpr CNG	-	1	-	-		
3	AZ172081	Hose assembly	-	1	-	-		
4	AZ172074	Clamp assembly	-	2	-	-		
5	KCGA0606	Nut hex flanged	-	2	-	-		
6	AZ172037	Assembly strap cylinder mtg	-	2	-	-		
7	LHE00001	Pin clevis with hole-DIA.10XL 45	-	2	-	-		
8	KHAE3220	Pin cotter	-	2	-	-		
9	LCL00001	Nut hex flange-M10	-	6	-	-		
10	AZ172049	Packing strap cylinder mtg	-	2	-	-		
11	AZ172055	Packing lower	-	2	-	-		
12	KADD1020	Bolt flanged	-	4	-	-		
13	AZ172040	Assembly cradle cylinder mtg	-	1	-	-		
14	AZ111072	Assembly cover cng valve	-	1	-	-		
15	KADD0614	Bolt flanged	-	5	-	-		
16	KDAB0816	Washer_plain_small	-	5	-	-		
17	AZ172056	Assembly valve quarter turn UG	-	1	-	-		
18	AN141041	Cylinder CNG WC40L	-	1	-	-		

RA - BAJAJ Maxima Z LPG | AT - BAJAJ Maxima LPG
AZ - BAJAJ Maxima Z CNG | AT1 - BAJAJ Maxima CNG



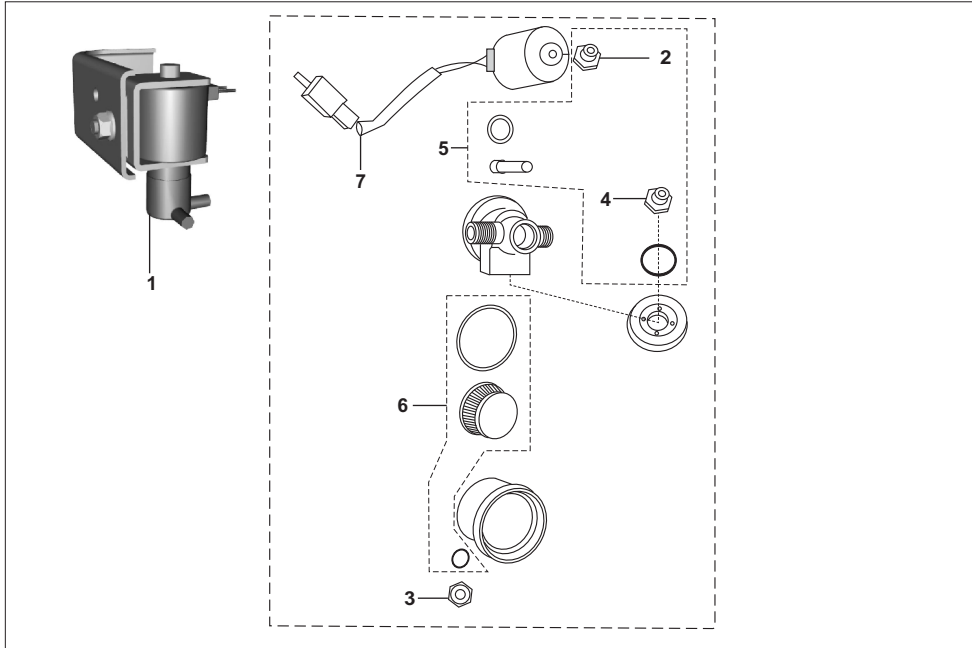
No.	Part No.	Description	Max.Z		Max.		C	Remarks
			RA	AZ	AT	AT1		
1	AT172091	Assembly cylinder LPG	-	-	1	-		
2	AT172090	Bracket cylinder mounting-LH	-	-	1	-		
3	AT172092	Bracket assembly cylinder RH	-	-	1	-		
4	KADD0814	Bolt flanged	-	-	4	-		
5	LCL00001	Nut hex flange-M10	-	-	2	-		
6	KADD1020	Bolt flanged	-	-	2	-		
7	KDBB1226	Washer plain	-	-	4	-		
8	AT172080	Hose mfv-lpr	-	-	1	-		
9	AT172081	Hose mfv-filler valve	-	-	1	-		
10	AT172099	Pipe vent	-	-	2	-		
11	AT172082	Assembly filler valve	-	-	1	-		
12	AT172083	Bracket assembly filler valve	-	-	1	-		
13	KCBA0503	Nut hex thin	-	-	1	-		
14	RA172041	Bush rubber lpg hose	-	-	1	-		
15	KADA0616	Bolt flanged	-	-	2	-		
16	KCGA0606	Nut hex flanged	-	-	2	-		
17	BF172111	Clamp vent pipe	-	-	3	-		
18	AZ172074	Clamp assembly	-	-	1	-		
19	BF172103	Packing rubber metal clamp	-	-	1	-		

RA - BAJAJ Maxima Z LPG | AT - BAJAJ Maxima LPG
AZ - BAJAJ Maxima Z CNG | AT1 - BAJAJ Maxima CNG



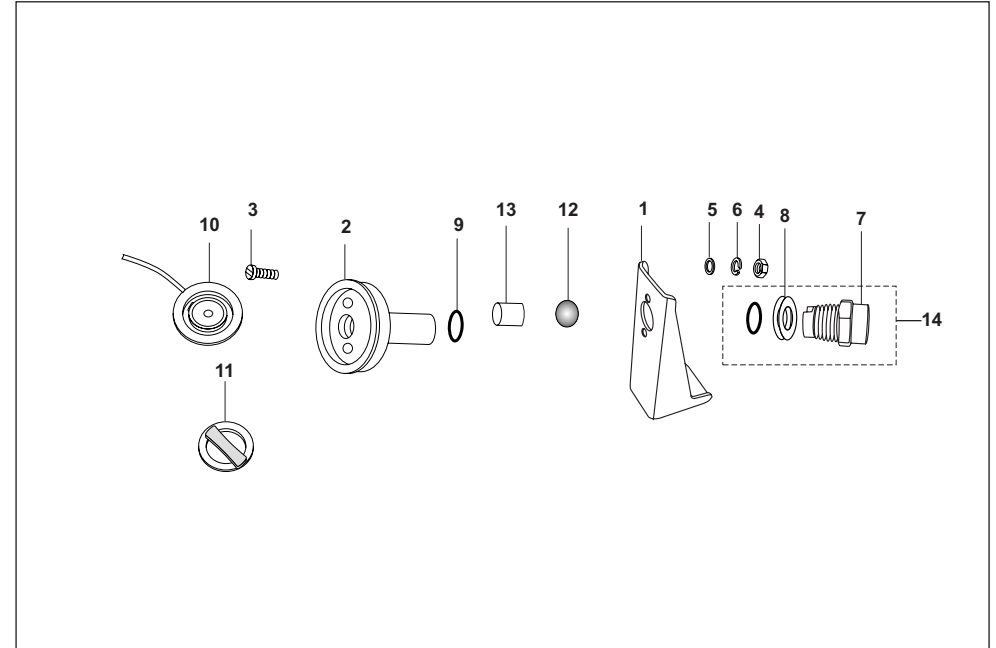
No.	Part No.	Description	Max.Z		Max.		C	Remarks
			RA	AZ	AT	AT1		
1	AT172050	Cradle assembly twin cng cylindr	-	-	-	1		
2	LCL00001	Nut hex flange-M10	-	-	-	6		
3	KDBB1022	Washer_plain	-	-	-	6		
4	KADD1020	Bolt flanged	-	-	-	4		
5	AT172052	Cylinder assembly-front-CNG	-	-	-	1		
6	AT172053	Cylinder assembly-rear-CNG	-	-	-	1		
7	AT172072	Assembly bracket with packing	-	-	-	2		
8	AT172037	Strap assembly-mounting	-	-	-	2		
9	LHE00002	Pin clevis with hole-dia. 10XL55	-	-	-	2		
10	KHAE3220	Pin cotter	-	-	-	2		
11	AZ172036	Assembly hpr	-	-	-	1		
12	AT172045	Hose assembly-fuel supply	-	-	-	1		
13	AT172044	Pipe assembly-steel	-	-	-	1		
14	AF201067	Solenoid cng paper filter vanaz	-	-	-	1		
15	39106204	Bolt - flanged - small	-	-	-	2		
16	AT172102	Pipe solenoid-lpr	-	-	-	1		
17	BF172126	Clamp hose cng	-	-	-	1		
18	BF172103	Packing rubber metal clamp	-	-	-	2		
19	AZ172074	Clamp assembly	-	-	-	2		
20	KCGA0606	Nut hex flanged	-	-	-	2		
21	AT172073	Assembly valve quarter turn	-	-	-	1		
22	AT172051	Valve assembly-quarter turn	-	-	-	1		

RA - BAJAJ Maxima Z LPG | AT - BAJAJ Maxima LPG
AZ - BAJAJ Maxima Z CNG | AT1 - BAJAJ Maxima CNG



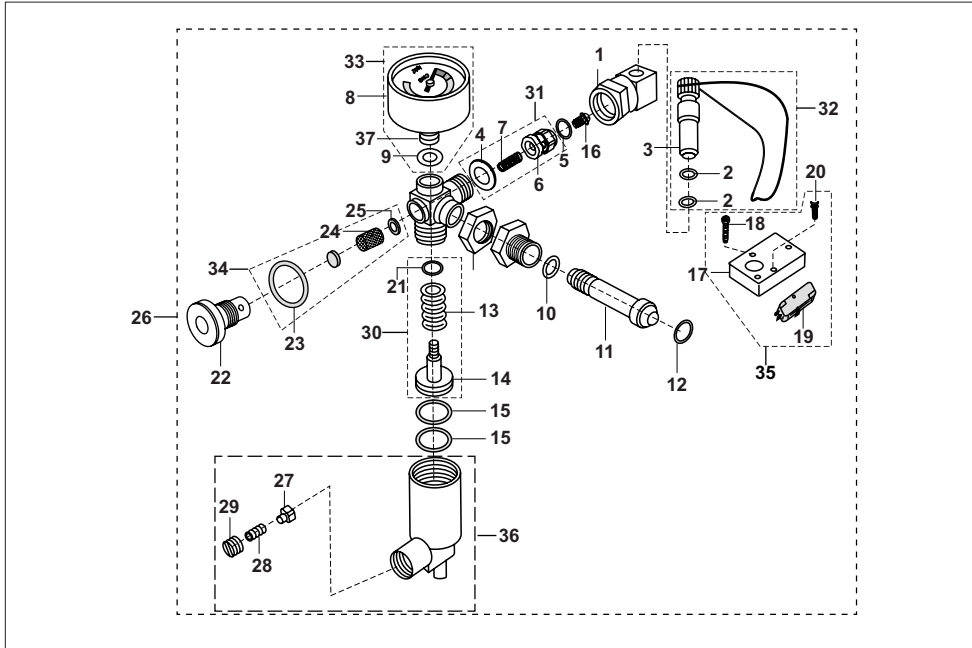
No.	Part No.	Description	Max.Z		Max.		C	Remarks
			RA	AZ	AT	AT1	AN	
1	24201456	Solenoid -CNG paper filter	-	1	-	1		
1	AF201067	Solenoid cng paper filter vanaz	-	-	-	1		
2	AF121327	Lock nut	-	1	-	1		
3	AF121316	Drain plug	-	1	-	1		
4	AF121323	Bolt	-	1	-	1		
5	36AF0029	Kit coil assly	-	1	-	1		Kit-38
6	36AF0030	Kit paper filter	-	1	-	1		Kit-39
7	24121498	Hose solenoid to LPR	-	1	-	-		
8	AF121012	Washer for RE4S-CNG	-	2	-	2		NI

RA - BAJAJ Maxima Z LPG | AT - BAJAJ Maxima LPG
AZ - BAJAJ Maxima Z CNG | AT1- BAJAJ Maxima CNG



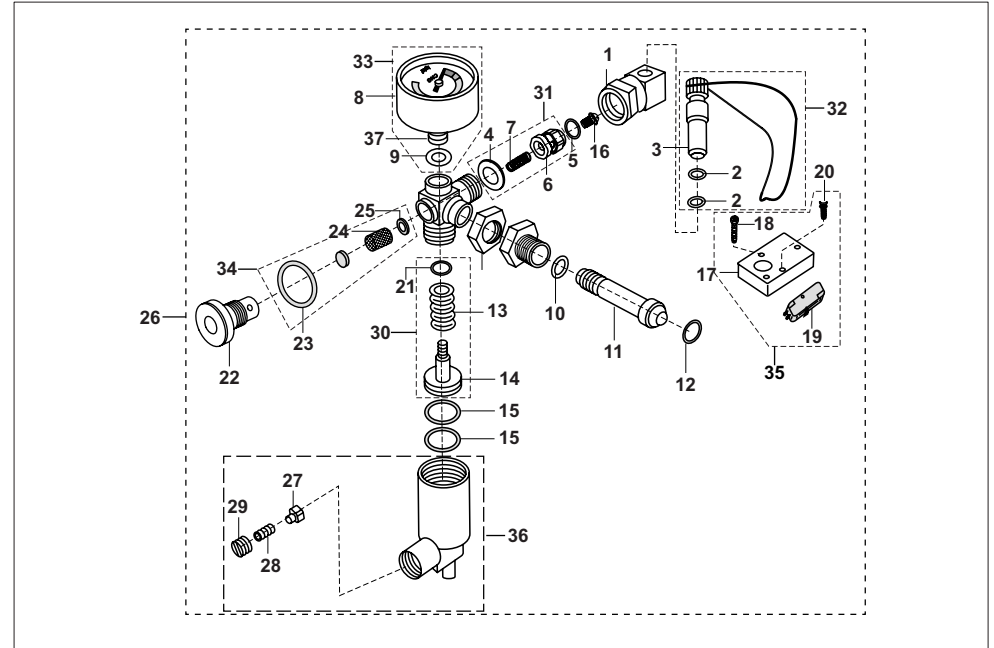
No.	Part No.	Description	Max.Z		Max.		C	Remarks
			RA	AZ	AT	AT1	AN	
1	RA172032	Assembly filling valve	1	-	-	-		
1	24121262	Connector filler unit-vanaz	1	-	1	-		
2	24121245	Filler	1	-	1	-		
3	59010010	Screw csumk for filter	2	-	2	-		
4	AF121057	Nut	2	-	-	-		
5	AF121058	Washer	2	-	-	-		
6	RA172031	Assembly bkt filling unit mtg	1	-	-	-		
7	24121337	Connector for filler	1	-	1	-		
8	AF121085	Washer	1	-	1	-		
9	CX141046	'O' ring	1	-	1	-		
10	24121394	Cap	1	-	1	-		
11	24121393	Knob	1	-	1	-		
12	CX141044	Steel ball	1	-	1	-		
13	CX141045	Spacer	1	-	1	-		
14	36AF0040	Kit filler valve	1	-	1	-		Kit-40

RA - BAJAJ Maxima Z LPG | AT - BAJAJ Maxima LPG
AZ - BAJAJ Maxima Z CNG | AT1- BAJAJ Maxima CNG



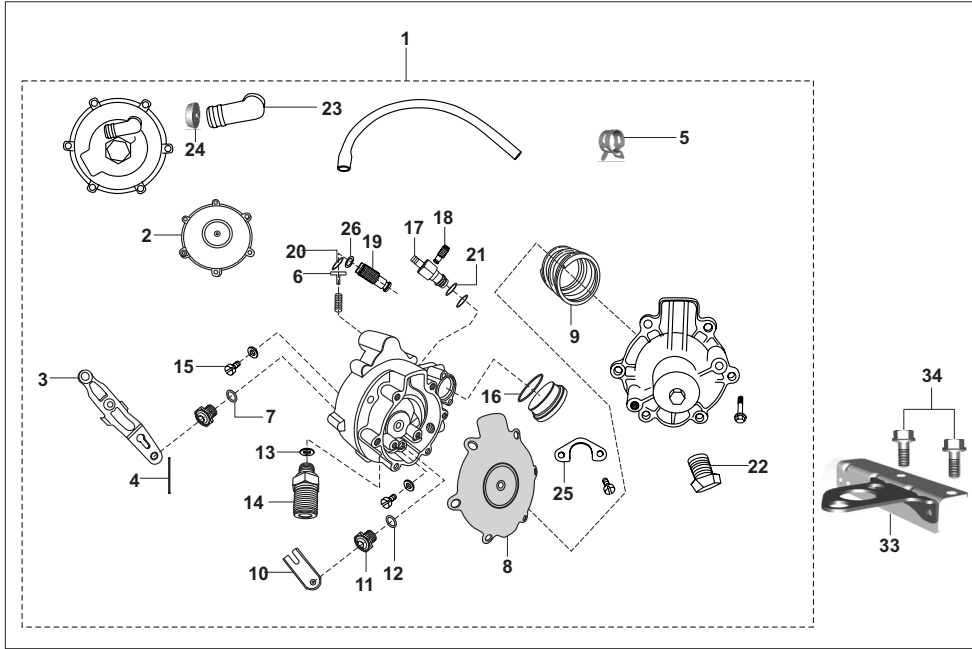
No.	Part No.	Description	Max.Z		Max.		C	Remarks
			RA	AZ	AT	AT1		
1	AF121004	Refuelling unit for 3w-4s-re-cng	-	1	-	1		
2	AF121023	Ring - o for 3w-4s-re-cng	-	2	-	2		
3	AF121018	Plug -dust	-	1	-	1		
4	AF121025	Washer-	-	1	-	1		
5	AF121026	Ring - o for re4s-cng	-	1	-	1		
6	AF121027	Seat for 3w-4s-re-cng	-	1	-	1		
7	AF121028	Spring for 3w-4s-re-cng	-	1	-	1		
8	24201336	Gauge pressure_cng_vanaz	-	1	-	1		
9	AF121029	Washer	-	1	-	1		
10	AF121030	Washer	-	1	-	1		
11	24121456	Connector ss for cng	-	1	-	1		
12	AF121032	Ring - o for 3w-4s-re-cng	-	2	-	2		
13	AF121034	Spring for 3w-4s-re-cng	-	1	-	1		
14	AF121126	First stage piston sub-assly	-	1	-	1		
15	AF121036	Ring - o for re4s-cng	-	2	-	2		
16	AF121043	Retainer for re4s-cng	-	1	-	1		
17	AF121044	Plate - mounting	-	1	-	1		
18	AF121045	Screw - philip	-	2	-	2		
19	AF201010	Switch - micro (vanaz)	-	1	-	1		
20	AF121046	Screw - philips l	-	2	-	2		
21	AF121104	Ring - o	-	1	-	1		
22	AF121105	Retainer	-	1	-	1		

RA - BAJAJ Maxima Z LPG | AT - BAJAJ Maxima LPG
AZ - BAJAJ Maxima Z CNG | AT1- BAJAJ Maxima CNG



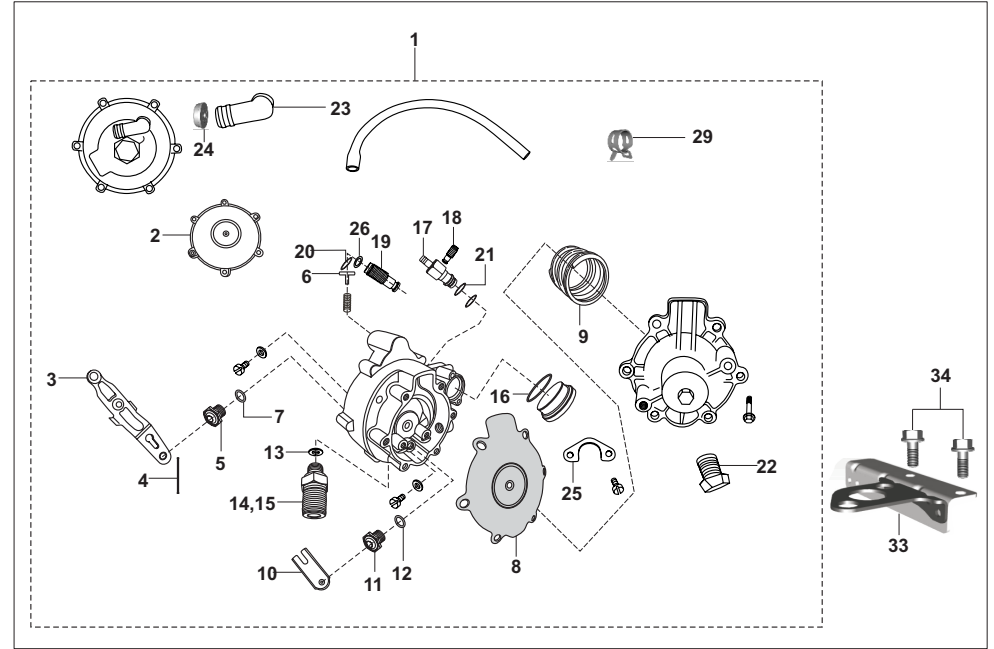
No.	Part No.	Description	Max.Z		Max.		C	Remarks
			RA	AZ	AT	AT1		
23	AF121106	Ring - o	-	1	-	1		
24	AF121107	Filter for first stage reduction unit	-	1	-	1		
25	AF121108	Washer - 4.5 x 11	-	1	-	1		
26	AZ172036	Assembly HPR CNG	-	1	-	1		
27	AF121127	Pad hldr(srv)sub-asy:	-	1	-	1		
28	AF121039	Spring - relief valve	-	1	-	1		
29	AF121040	Screw - adjusting	-	1	-	1		
30	36AF0031	Kit piston sub assly & spring	-	1	-	1		Kit-41
31	36AF0032	Kit nrv sub assly & spring	-	1	-	1		Kit-42
32	36AF0033	Kit dust plug	-	1	-	1		Kit-43
33	36AF0034	Kit pressure gauge	-	1	-	1		Kit-44
34	36AF0035	Kit filter (sb)	-	1	-	1		Kit-45
35	36AF0036	Kit micro switch	-	1	-	1		Kit-46
36	36AF0043	Kit relif valve spring	-	1	-	1		Kit-47

RA - BAJAJ Maxima Z LPG | AT - BAJAJ Maxima LPG
AZ - BAJAJ Maxima Z CNG | AT1- BAJAJ Maxima CNG



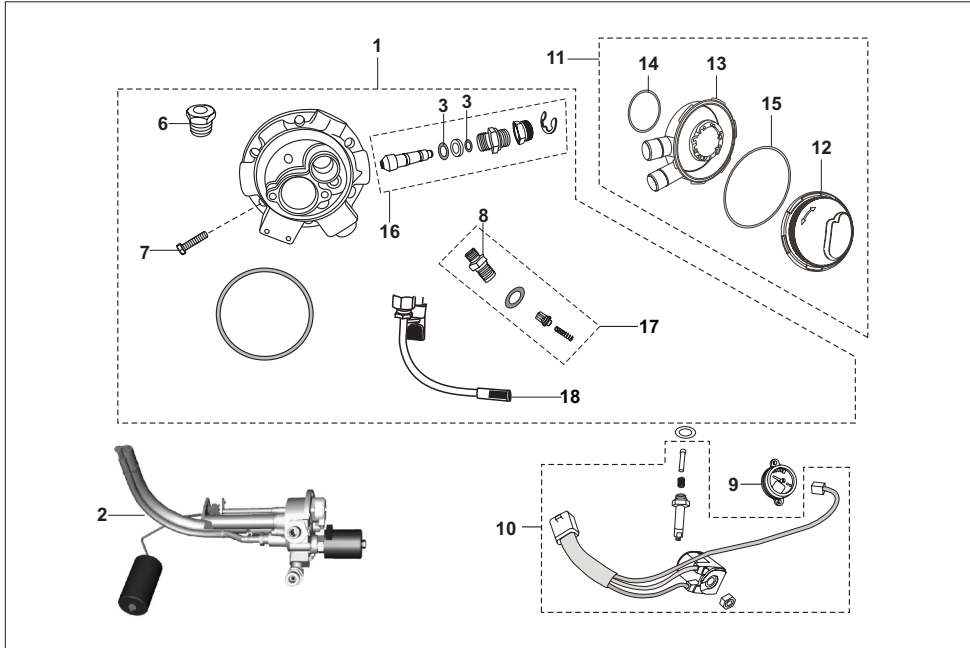
No.	Part No.	Description	Max.Z		Max.		C	Remarks
			RA	AZ	AT	AT1		
1	RA172075	Regulator LPG	1	-	-	-		
1	AZ172076	Regulator two stage CNG	-	1	-	-		
1	AT172086	Regulator two stage LPG	-	-	1	-		
1	AT172088	Regulator two stage CNG	-	-	-	1		
2	JS172015	Diaphragm-Sub assly.	1	1	1	1		
3	JS172036	Lever	1	1	1	1		
4	24121299	Pin lever	2	2	2	2		
5	DG121002	Clamp (hose c'case breather)	-	-	1	1		
6	JS172035	Guide spring	1	1	1	1		
7	24121306	Rubber washer	1	1	1	1		
8	JS172023	Diaphragm	1	1	1	1		
9	JS172027	Spring	1	-	1	-		
9a	24121504	Spring	-	1	-	1		
10	24121312	Lever sub assy. (1st stage)	1	1	1	1		
11	24121313	Seat 1st stage	1	1	1	1		
12	24121314	Rubber washer 1st satge	1	1	1	1		
13	24121315	Washer copper	1	1	1	1		
14	JS172028	Connector inlet	1	-	-	-		
14	AZ172008	Connector inlet	-	1	-	-		
14	AT172093	CONNECTOR INLET LPR	-	-	1	-		
14	24121505	Connector inlet	-	-	-	1		

RA - BAJAJ Maxima Z LPG | AT - BAJAJ Maxima LPG
AZ - BAJAJ Maxima Z CNG | AT1- BAJAJ Maxima CNG



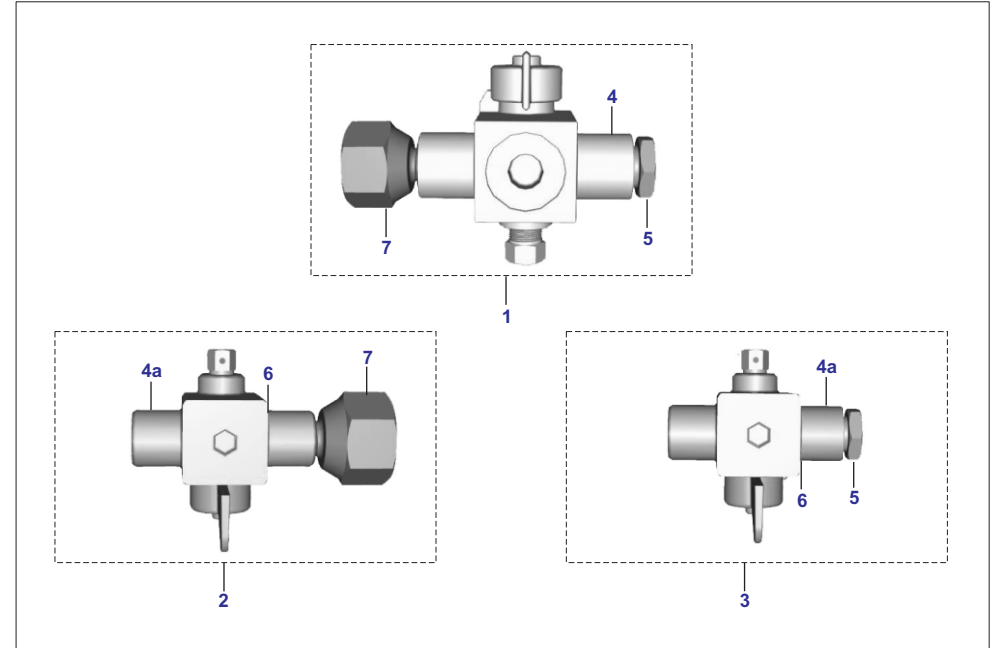
No.	Part No.	Description	Max.Z		Max.		C	Remarks
			RA	AZ	AT	AT1		
15	AF121070	Screw - cheese head	4	4	4	4		
16	24121321	O_ring for flow	1	1	1	1		
17	24121507	Body -Flow control	1	1	1	1		
18	24121506	Screw flow adjusting	1	1	1	1		
19	JS172020	Screw idle	1	1	1	1		
20	59210017	O_ring	1	1	1	1		
21	AF121106	Ring - o	1	1	1	1		
22	JS172026	Breather -I	1	1	1	1		
23	JS172031	Breather - II	1	-	-	1		
23	AM121091	Breather -il	-	1	1	-		
24	24121648	Breather restrictor	-	1	-	-		
24	RA172019	Breather restrictor	-	-	1	-		
25	JS172033	Clamp	1	1	1	1		
26	AF121104	Ring - o	1	1	1	1		
27	JS172019	Flange screw	12	12	12	12		
30	36AF0039	Kit "o" ring	1	1	1	1		Kit-48
31	36AF0037	Kit primary lpr	1	1	1	1		kit-49
32	36AF0038	Kit secondary lpr	1	1	1	1		Kit-50

RA - BAJAJ Maxima Z LPG | AT - BAJAJ Maxima LPG
AZ - BAJAJ Maxima Z CNG | AT1- BAJAJ Maxima CNG



No.	Part No.	Description	Max.Z		Max.		C	Remarks
			RA	AZ	AT	AT1		
1	AU172002	Valve - multi function	1	-	1	-		
2	RA172057	Assembly valve multifunction	1	-	-	-		
2	AT172094	Valve multifunction	-	-	1	-		
3	59210013	O_ring mfv-m/s. Vanaz lpg kit	2	-	2	-		
4	36244054	Kit mfv float valve kit	1	-	1	-		Kit-51
5	24121283	Washer sealing mfv	1	-	1	-		
6	AU172052	Plug fusible with alloy	1	-	1	-		
7	AU172074	Screw allen	6	-	6	-		
8	AU172066	Connector -inlet	1	-	1	-		
9	RA402603	Gauge LPG	1	-	-	-		
9	AT172097	Gauge LPG	-	-	1	-		
10	RA172059	Valve solenoid LPG	1	-	-	-		
10	AT172098	Valve solenoid LPG	-	-	1	-		
11	24121418	Seal box assy.-zero deg. Mv	1	-	1	-		
12	24121249	Case upper for seal box	1	-	1	-		
13	AU172034	Case -lower	1	-	1	-		
14	59210012	O_ring bottom for seal box	1	-	1	-		
15	24121250	O_ring top for seal box-M/S	1	-	1	-		
16	36AF0041	Kit mfv manual service valve	1	-	1	-		Kit-52
17	36AF0042	Kit mfv 80% assly.AU172002	1	-	1	-		Kit-53
18	24121268	Filter	1	-	1	-		
19	24121316	Connector inlet-LPG VANAZ	1	-	1	-		NI

RA - BAJAJ Maxima Z LPG | AT - BAJAJ Maxima LPG
AZ - BAJAJ Maxima Z CNG | AT1- BAJAJ Maxima CNG



No.	Part No.	Description	Max.Z		Max.		C	Remarks
			RA	AZ	AT	AT1		
1	AZ172056	Assembly valve quarter turn	-	1	-	-		
2	AT172073	Assembly valve quarter turn	-	-	-	1		
3	AT172051	Valve assembly-quarter turn	-	-	-	1		
4	AF141055	Valve Z CNG	-	1	-	-		
4a	AT172022	Valve CNG	-	-	-	2		
5	AF141061	Plug blind for valve	-	1	-	1		
6	AF141062	Washer copper for blind plug	-	2	-	2		
7	AZ172057	Connector valve CNG	-	1	-	1		

RA - BAJAJ Maxima Z LPG | AT - BAJAJ Maxima LPG
AZ - BAJAJ Maxima Z CNG | AT1- BAJAJ Maxima CNG

KIT LIST

4Stroke- BS4
(236 cc)

Sr. No.	Kit Part No.	Kit Description	Consisting of Following Parts		
			Part No.	Description	Qty./Kit
1	36RA0001	Cyl block piston assly-lpg,pet 4S BSIV	AZ521000	Cylinder block complete	1
			RA521200	Assembly piston- UG LPG	1
2	36AZ0048	Cyl block piston assly-CNG 4S BSIV	AZ521000	Cylinder block complete	1
			AZ521200	Assembly piston	1
3	36RA0008	Kit ring piston (236) PET/LPG	RA521202	Ring top- LPG	1
			RA521203	Ring bottom - LPG	1
			RA521204	Ring assy oil - LPG	1
4	36AZ0050	Kit ring piston RE4S (236) CNG	AZ521202	Ring piston -TOP	1
			AZ521203	Ring bottom	1
			DK101051	Ring piston oil	1
5	36RA0003	Kit_ valve 4S -236	31101019	Collet	1
			39103519	Seal - oil	1
			AZ511201	Valve intake	1
			AZ511202	Valve exhaust	1
6	36AZ0049	Kit_connecting rod 4S -236	39215320	Needle roller bearing	1
			AZ531003	Rod connecting	1
			DK101453	Crank pin	1
7	36RA0002	Friction plate kit- 236	AN101490	Plate friction outer	2
			AN101491	Plate friction inner	5
8	36AA4018	Kit St Motor spring			
9	36RA0006	Jet kit- (RA581207,AZ581224)		Jet kit	
			AA121152	Needle jet	1
			JE581205	Pilot jet	1
			29121109	Main jet	1
			AF121452	Jet holder	1
10	36RA0004	Piston valve assy kit	DD121054	E-ring	1
			JZ581223	Packing	1
			DD121055	Spring	1
			AZ581229	Jet needle	1
			24121370	Ring	1
			AA121284	Holder	1
			AN121139	Piston valve	1
11	36RA0007	Float body assy kit		Float chamber body kit	
			AF121445	Float body assy	1
			DH121118	O-ring (DRAIN)	1
			JA581232	O-ring (FCB)	1
			CB121046	Screw (FCB)	4
			JA581314	DRIAN SCREW	1
12	36JZ0016	Idling adjuster kit	JZ581217	Adjuster	1
			CB121044	Spring	1
			DH121120	O Ring	1

KIT LIST

4Stroke- BS4
(236 cc)

Sr. No.	Kit Part No.	Kit Description	Consisting of Following Parts		
			Part No.	Description	Qty./Kit
13	36AA4099	O-ring and gasket kit-4S RL	AF121455	RING -O	1
			DH121130	Carburetor O Ring(PS)	2
			DH121088	RING - O	1
			CF121004	RING - O (Sa810)	1
			JA581232	O-RING(FCB)	1
			DH121118	'O' ring	1
14	36AA4100	Starter cable guide assy kit	AF121458	Cableguide	1
			AF121457	Clip	1
			AF121456	Cap	1
			24121053	Plunger assy	1
			29121093	O-ring	1
			24121087	Spring	1
			AF121453	Guide holder	1
			JA581261	Adjuster	1
			JA581315	Nut	1
15	36RA0005	Pilot screw kit		Pilot screw kit	
			AZ581230	Adjuster	1
			DH121086	Spring	1
			DH121087	Washer	1
			DH121088	O-ring	1
			DH121130	O-ring	2
16	36BH0036	Kit boot- all ktek	BB133110	Boot cv shaft	1
			BH551415	Boot clamp large	1
			BH551417	Boot clamp small	1
			BH551423	Grease	1
17	36BH0037	Kit Boot & Retainer ktek	BB133110	Boot cv shaft	1
			BH551415	Boot clamp large	1
			BH551417	Boot clamp small	1
			BH551423	Grease	1
			BH551413	Retainer sheet	1
			BH551414	Boot insert	1
18	36BH0008	kit OBJ max	BH551408	Obj tulip	1
			BH551415	Boot clamp large	1
			BH551417	Boot clamp small	1
			BH551423	Grease	1
19	36BH0010	Kit OBJ & tripod max	BH551408	Obj tulip	1
			BH551415	Boot clamp large	1
			BH551417	Boot clamp small	1
			BH551423	Grease	1
			BH551412	Finished roller	3
			BH551411	Tripod finished	1
			BH551410	Circlip	1

KIT LIST

4Stroke- BS4
(236 cc)

Sr. No.	Kit Part No.	Kit Description	Consisting of Following Parts		
			Part No.	Description	Qty./Kit
20	36BH0030	Kit IBJ	BH141226	IBJ tulip (double chamfer)	1
			BH551415	Boot clamp large	1
			BH551417	Boot clamp small	1
			BH551423	Grease	1
21	36BH0031	Kit IBJ & Tripod	BH141226	IBJ tulip (double chamfer)	1
			BH551415	Boot clamp large	1
			BH551417	Boot clamp small	1
			BH551423	Grease	1
			BH551412	Finished roller	3
			BH551411	Tripod finished	1
			BH551410	Circlip	1
			BF551803	Bar shaft lh/rh	1
22	36AZ0023	Kit barshaft ktek 551803 KTEK	BH551410	Circlip	2
			BH551415	Boot clamp large	2
			BH551417	Boot clamp small	2
			BB133110	Boot cv shaft	2
			AN101419	Bar shaft	1
			BH551410	Circlip	2
23	36AN0028	Kit barshaft an101419	BH551415	Boot clamp large	2
			BH551417	Boot clamp small	2
			BB133110	Boot cv shaft	2
24	36BH0019	Kit roller	BH551412	Finished roller	3
25	36BA4014	Wheel cylinder mtg kit	AL151054	W/cyl Mounting Screw	2
			BF131905	Spring Washer	2
26	36AL0033	Back plate assly FR-AL151239	AL151239	Back Plate Assly Front Cargo	1
27	36AL0038	Back platel assly RH-BB151262	-----	Back Plate Assly Re Rh Cargo	1
28	36AL0040	Back plate assly. LH BB151261	-----	Back Plate Assly Re Lh Cargo	1
29	36AL0050	Front brake shoe kit maxima	AL151240	Assembly brake shoe leading	1
			AL151241	Assembly brake shoe trailing	1
			AL151202	Pin shoe pivot	2
			AL151201	Spring shoe clamping	2
30	36AL0051	Rear rh brake shoe kit maxima	AL151240	Assembly brake shoe leading	1
			AL151260	Shoe assy trailing w hbl RH	1
			AL151202	Pin shoe pivot	2
			AL151201	Spring shoe clamping	2
31	36AL0052	Rear lh brake shoe kit maxima	AL151240	Assembly brake shoe leading	1
			AL151259	Shoe assy trailing w hbl LH	1
			AL151202	Pin shoe pivot	2
			AL151201	Spring shoe clamping	2

KIT LIST

4Stroke- BS4
(236 cc)

Sr. No.	Kit Part No.	Kit Description	Consisting of Following Parts		
			Part No.	Description	Qty./Kit
32	36AL0030	Wheel cylinder major kit	AL151052	Bleeder Screw Cap	1
			Ab151079	Bleeder Screw	1
			-----	Protection Boot	2
			24151104	Piston Lip Seal	2
			24151105	Rebonding Spring	1
			24151165	Slotted Piston Rear	2
33	36AL0029	Wheel cylinder minor kit	-----	Protection Boot	2
			24151105	Rebonding Spring	1
			24151104	Piston Lip Seal	2
34	36244042	steering lock(24181016) with key	24181020	Key set - 1000 Combination	1
			24181016	Lock - steering :- 1000 Combinations	1
35	36BB0029	Lock assly steering with key kit	AL181013	Lock asy-steering:1000	1
			24181020	Key set - 1000 combination	1
36	36AA4028	Ignition lock(AA201254)with key	24181020	Key set - 1000 combinatio	1
			AA201254	Ignition cum stareter switch	1
37	36AT0001	Kit ignition lock with key AT401406	24181020	Key set 1000 combination	1
			AT401406	Ignition cum starter switch	1
38	36AF0029	KIT coil assly	AF121322	Ring -o for filter solenoid valve	1
			AF121323	Bolt for filter solenoid valve	1
			AF121325	Ring -o for filter solenoid valve	1
			AF121326	Plunger asy:filter solenoid valve	1
			AF121327	Nut - lock:-filter solenoid valve	1
			AF121317	Ring -o for filter solenoid valve	1
39	36AF0030	Kit paper filter	AF121319	Filter - paper for solenoid valve	1
			AF121320	Ring -o for filter solenoid valve	1
			24121337	Connector	1
40	36AF0040	Kit filler valve	AF121085	Washer	1
			CX141046	O'ring	1
			AF121034	Spring	1
41	36AF0031	Kit piston sub assly & spring	AF121126	First stage piston sub-assembly	1
			AF121036	Ring - o	2
			AF121104	Ring - o	1
42	36AF0032	Kit nrv sub assly & spring	AF121025	Washer	2
			AF121027	Seat	1
			AF121028	Spring	1
			AF121023	Ring - o	2
43	36AF0033	Kit dust plug	AF121024	String	1
			AF121018	Plug -dust:micro switch	1
			24201333	Gauge pressure	1
44	36AF0034	Kit pressure gauge	AF121029	Washer	1

PART INDEX

4Stroke- BS4
(236 cc)

Part No.	Page No.	Figure No.
1100711	14	7
1100712	14	7
1100713	14	7
1100714	14	7
1160717	59	16
1180123	13	8
1190205	56	26
3100335	3	8
3170109	18	5
3190204	56	27
3190206	56	25
6191089	55	9
6191089	55	15
6221028	69	6
15101171	14	5
18201044	79	12
18201044	80	4a
20201029	80	3
21100711	14	6
21150422	48	2
21160417	23	10
21170419	3	7
21180307	56	31
21180308	56	32
22131014	15	5
22150524	52	2
22151067	52	9
22161221	68	9
22161221	80	6
22171007	37	6
22181058	56	30
22250132	82	15
23161305	18	11
24102046	7	7
24121069	25	12

Part No.	Page No.	Figure No.
24121245	88	2
24121249	93	12
24121250	93	15
24121262	88	1
24121268	93	18
24121283	93	5
24121299	91	4
24121306	91	7
24121312	91	10
24121313	91	11
24121314	91	12
24121315	91	13
24121316	93	19
24121321	92	16
24121333	31	9
24121337	88	7
24121365	25	11
24121393	88	11
24121394	88	10
24121418	93	11
24121456	89	11
24121476	6	21
24121476	26	19
24121476	31	10
24121477	26	13
24121498	87	7
24121504	91	9a
24121505	91	14
24121506	92	18
24121507	92	17
24121508	25	10
24121648	92	24
24130105	4	8
24131003	18	7
24131007	18	3

RA - BAJAJ Maxima Z LPG
AZ - BAJAJ Maxima Z CNG
AN - BAJAJ Maxima C CNG

PART INDEX

4Stroke- BS4
(236 cc)

Part No.	Page No.	Figure No.
24131008	18	4
24151068	52	13
24151087	49	2
24151090	49	4
24151092	49	7
24151093	49	8
24151094	49	3
24151097	49	9
24151098	49	10
24151107	44	26
24151108	44	27
24151113	44	28
24151114	44	29
24151146	43	10
24151147	43	9
24151148	43	11
24151163	44	25
24151164	44	25
24151168	43	16
24151170	43	20
24151171	44	32
24151172	43	17
24151173	43	19
24151174	43	5
24151175	43	15
24151177	44	22
24151178	43	6
24151179	43	14
24151181	44	21
24151182	43	18
24151183	44	23
24151232	50	2
24151234	48	5
24151238	52	15
24151268	43	8

RA - BAJAJ Maxima Z LPG
AZ - BAJAJ Maxima Z CNG
AN - BAJAJ Maxima C CNG

Part No.	Page No.	Figure No.
24151274	55	1
24151275	49	1
24151289	49	6
24151290	49	5
24151291	49	1
24160924	23	9
24161003	23	8
24161176	47	12
24161368	63	7
24161371	63	8
24161443	40	11
24161446	58	7
24161492	63	11
24165132	68	11
24165169	59	9
24165214	68	3
24165230	58	9
24170431	27	13
24170431	28	5
24170507	35	12
24170507	36	11
24181047	40	12
24181067	56	28
24181074	55	8
24181161	56	36
24191098	55	14
24191099	55	12
24191101	55	16
24191105	55	7
24191184	55	10
24191185	55	11
24191187	55	13
24201336	89	8
24201456	87	1
24201476	80	10

PART INDEX

4Stroke- BS4
(236 cc)

Part No.	Page No.	Figure No.
24201477	80	13
24201484	79	16
24201485	79	13
24201486	79	14
24201487	79	9
24201488	79	10
24201499	80	14
24201502	79	19
24201503	79	20
24201504	79	21
24201515	81	11
24201523	79	17
24201525	67	17
24201564	54	2
24201616	61	4
24211026	75	4
24211026	76	6
24230198	64	19
24230198	73	10
24231245	73	9
24231336	58	5
24231475	67	19
24231615	67	5
24231616	67	6
24231625	67	11
24231630	78	17
24231641	67	7
24231772	77	9
24231772	78	9
24231775	77	10
24231775	78	10
24231871	77	13
28101022	16	6
28101038	13	7
28101080	3	16

Part No.	Page No.	Figure No.
28101129	10	7
30101236	6	30
30151039	7	2
30151059	4	3
30211005	31	19
31101018	10	6
31101019	10	5
31101106	3	13
31101173	12	4
31121006	16	13
31121041	27	11
31121041	27	21
31121041	28	11
31191032	25	9
31191032	57	11
31201029	82	5
33141007	29	8
33141007	30	8
33141008	29	9
33141008	30	9
35101060	7	15
35161060	65	18
36244042	58	6
36244054	93	4
39006204	23	3
39007104	47	7
39008304	23	13
39014608	50	5
39014608	52	7
39014708	73	12
39015108	53	6
39015108	65	16
39019811	19	8
39019811	20	7
39019811	47	9

RA - BAJAJ Maxima Z LPG
AZ - BAJAJ Maxima Z CNG
AN - BAJAJ Maxima C CNG

PART INDEX

4Stroke- BS4
(236 cc)

Part No.	Page No.	Figure No.
39019811	56	33
39019911	50	4
39020011	20	3
39020111	55	3
39021111	64	26
39021911	32	10
39023011	59	10
39023911	74	38
39023911	78	6
39024811	4	18
39024811	9	19
39024811	23	15
39024811	24	18
39025111	23	7
39025811	67	13
39025811	79	5
39026212	56	35
39026212	74	25
39026312	41	11
39028715	78	15
39029115	47	10
39029615	4	14
39029615	23	12
39029615	24	7
39029615	39	6
39029615	55	5
39029615	73	5
39032615	67	16
39042304	45	11
39042606	7	19
39042606	19	5
39045411	68	6
39045411	78	14
39046715	24	6
39055011	19	16

RA - BAJAJ Maxima Z LPG
AZ - BAJAJ Maxima Z CNG
AN - BAJAJ Maxima C CNG

Part No.	Page No.	Figure No.
39069015	36	6
39071411	24	4
39073001	16	3
39074601	3	17
39074801	16	4
39079815	24	10
39080411	19	11
39092101	78	13
39093915	39	15
39094111	55	18
39096011	65	17
39097315	10	12
39099206	6	34
39100006	3	3
39100006	6	22
39100006	7	11
39101321	3	2
39101321	16	2
39101421	11	16
39103519	10	3
39104119	5	3
39104619	7	21
39104619	19	4
39105411	39	4
39105515	3	14
39105515	9	18
39105515	50	8
39106204	86	15
39106504	6	23
39107404	2	11
39107504	4	12
39107901	24	8
39107901	41	12
39118011	22	6
39119704	19	7

PART INDEX

4Stroke- BS4
(236 cc)

Part No.	Page No.	Figure No.
39121111	47	3
39121111	73	20
39121420	3	6
39128321	9	10
39128321	9	16
39130911	9	6
39130911	77	6
39135315	77	7
39135315	78	7
39137704	55	2
39138904	49	11
39143520	7	3
39150111	77	12
39150111	78	12
39152301	63	6
39153721	5	18
39153721	7	14
39153721	9	8
39155304	32	5
39156015	80	22
39156421	39	12
39158511	7	16
39158721	18	10
39158721	57	10
39163015	32	9
39165721	16	8
39167204	32	7
39167304	2	9
39167404	5	10
39167404	11	17
39167604	3	10
39168004	80	7
39170207	50	6
39170415	64	25
39171619	4	7

Part No.	Page No.	Figure No.
39171619	4	9
39172104	6	25
39173719	41	14
39177304	82	6
39179021	11	14
39179211	23	4
39179211	24	12
39182612	19	9
39182612	20	6
39182712	24	5
39182912	4	13
39182912	23	14
39182912	24	17
39182912	55	4
39183012	18	14
39183012	47	8
39186002	65	15
39186420	4	4
39186919	7	6
39188020	11	2
39188515	12	8
39190701	65	10
39192707	12	5
39193120	12	14
39193815	17	11
39194004	20	5
39194404	47	2
39194404	80	8
39196304	6	24
39197215	63	5
39199020	6	33
39200811	17	5
39203804	41	9
39215320	12	15
39217924	65	13

RA - BAJAJ Maxima Z LPG
AZ - BAJAJ Maxima Z CNG
AN - BAJAJ Maxima C CNG

PART INDEX

4Stroke- BS4
(236 cc)

Part No.	Page No.	Figure No.
39218106	8	8
39218106	9	17
39220804	56	24
39220804	81	12
39220804	82	11
39224020	41	15
39229515	22	12
39229515	53	11
39229515	59	11
39234911	19	16
39238315	80	23
39242411	22	19
39244311	5	8
39245401	64	33
39246417	42	18
39248415	74	26
39251604	39	3
39253404	43	7b
39254717	6	29
39256120	4	5
39260715	35	14
39260715	36	20
39260801	9	20
39263101	56	23
39271115	69	14
52240645	67	1
59010005	63	3
59010005	68	8
59010007	63	4
59010010	88	3
59040029	18	13
59040038	9	5
59050002	3	5
59050002	4	2
59150012	23	6

RA - BAJAJ Maxima Z LPG
AZ - BAJAJ Maxima Z CNG
AN - BAJAJ Maxima C CNG

Part No.	Page No.	Figure No.
59200012	37	5
59210012	93	14
59210013	93	3
59210017	92	20
60111420	61	6
AA101194	23	11
AA101816	23	2
36AA4018	20	18
36AA4028	64	24
36AA4099	25	19
36AA4100	25	20
36AF0029	87	5
36AF0030	87	6
36AF0031	90	30
36AF0032	90	31
36AF0033	90	32
36AF0034	90	33
36AF0035	90	34
36AF0036	90	35
36AF0037	92	31
36AF0038	92	32
36AF0039	92	30
36AF0040	88	14
36AF0041	93	16
36AF0042	93	17
36AF0043	90	36
36AL0029	45	19
36AL0030	45	18
36AL0033	45	4
36AL0038	45	5
36AL0040	45	6
36AL0050	45	15
36AL0051	45	16
36AL0052	45	17
36AN0028	34	12

PART INDEX

4Stroke- BS4
(236 cc)

Part No.	Page No.	Figure No.
36AT0001	66	27
36AZ0023	34	12
36AZ0048	8	1
36AZ0049	12	12
36AZ0050	8	4
36AZ0051	70	37
36BA4014	44	33
36BB0029	59	8
36BH0008	34	8
36BH0010	34	9
36BH0019	34	13
36BH0030	34	10
36BH0031	34	11
36BH0036	34	6
36BH0037	34	7
36JZ0016	25	17
36RA0001	8	1
36RA0002	17	3
36RA0003	10	15
36RA0004	25	15
36RA0005	25	21
36RA0006	25	14
36RA0007	25	16
36RA0008	8	4
39 078912	39	5
391680 04	68	10
52AT0111	59	1
52AT0112	59	1
52AT0133	59	19
52AT0134	59	20
52AT0135	74	32
52AT0136	74	33
52AT0137	74	34
52AT0138	74	35
52AZ0174	69	7

Part No.	Page No.	Figure No.
52AZ0175	69	1
52AZ0176	71	18
52AZ0177	71	19
52AZ0178	69	5
52AZ0180	71	9
52AZ0190	58	1
52BB0075	47	1
52BB0360	73	1
52BB0361	73	2
52BB0362	73	13
52BH0209	71	1
52BH0210	69	2
52RA0038	58	1
AA101009	17	15
AA101055	14	9
AA101058	15	10
AA101061	13	9
AA101084	19	10
AA101138	12	6
AA101139	12	7
AA101212	7	17
AA101213	17	6
AA101220	21	3
AA101221	3	15
AA101295	13	2
AA101424	12	3
AA101471	17	2
AA101472	17	4
AA101474	17	10
AA101665	19	3
AA101667	5	17
AA101736	19	1
AA101742	18	9
AA101745	18	2
AA101747	18	16

RA - BAJAJ Maxima Z LPG
AZ - BAJAJ Maxima Z CNG
AN - BAJAJ Maxima C CNG

PART INDEX

4Stroke- BS4
(236 cc)

Part No.	Page No.	Figure No.
AA101750	18	6
AA101814	11	6
AA101816	24	9
AA101819	19	6
AA101823	7	22
AA101826	5	12
AA101826	16	15
AA101826	33	20
AA101838	9	10a
AA101844	9	4
AA101868	13	4
AA101875	10	4
AA101883	6	26
AA101884	6	27
AA101939	6	32
AA101950	4	6
AA101953	22	3
AA102018	7	18
AA102026	7	1
AA102031	4	16
AA102055	5	15
AA102082	10	16
AA102087	8	5
AA102094	11	18
AA102110	22	16
AA102114	22	8
AA102124	22	17
AA102151	31	11
AA102154	9	23
AA102154	26	20
AA102162	17	1a
AA102164	13	5
AA102165	17	8
AA102166	17	7
AA102167	19	13

RA - BAJAJ Maxima Z LPG
AZ - BAJAJ Maxima Z CNG
AN - BAJAJ Maxima C CNG

Part No.	Page No.	Figure No.
AA102171	22	4
AA102193	22	15
AA102209	7	1
AA102210	7	12
AA111049	20	8
AA111067	20	4
AA111079	20	21
AA111080	20	17
AA111081	20	12
AA111082	20	13
AA111083	20	20
AA111085	20	16
AA111094	20	14
AA111095	20	15
AA111117	20	11
AA111118	20	10
AA111120	82	19
AA111148	21	12
AA111153	9	13
AA111154	9	13
AA111201	21	16
AA111202	21	1
AA111203	21	2
AA121147	26	6
AA121148	26	3
AA121149	26	4
AA121150	26	2
AA121193	26	5
AA121226	25	2
AA121282	31	7
AA121291	31	8
AA121336	16	1
AA131004	18	12
AA141046	25	7
AA141046	25	18

PART INDEX

4Stroke- BS4
(236 cc)

Part No.	Page No.	Figure No.	Part No.	Page No.	Figure No.
AA141067	21	18	AA201263	67	8
AA141090	26	16	AA201264	79	4
AA161081	82	22	AA201331	53	13
AA161190	68	4	AA201332	53	12
AA161191	68	5	AA201341	64	16
AA161215	63	1	AA201344	57	5
AA161216	63	15	AA201380	61	4
AA161218	64	27	AA231223	67	10
AA161219	64	28	AA231239	67	3
AA161225	64	21	AA231245	59	4
AA161268	68	12	AB101038	5	4
AA161269	68	13	AB101067	13	3
AA161270	68	14	AB111107	20	19
AA161283	82	21	AB151049	48	3
AA161290	64	31	AB151054	49	5
AA161306	63	15	AB151072	49	6
AA161307	63	9	AB151079	44	30
AA161308	63	10	AB171016	39	10
AA161309	63	7	AB181020	40	13
AA161310	63	8	AB201076	82	4
AA161327	64	27	AB201077	81	6
AA161328	64	28	AF101097	22	3
AA191032	55	6	AF111021	20	1
AA191092	57	6	AF111023	20	9
AA191113	53	1	AF111031	21	14
AA191114	53	10	AF111032	21	13
Aa191115	57	7	AF111033	21	15
AA191116	53	2	AF111034	21	11
AA191117	53	3	AF111035	21	17
AA191121	53	8	AF121004	89	1
AA191122	53	9	AF121012	87	8
AA201090	80	5	AF121018	89	3
AA201239	81	14	AF121023	89	2
AA201258	64	32	AF121025	89	4
AA201262	79	7	AF121026	89	5

RA - BAJAJ Maxima Z LPG
AZ - BAJAJ Maxima Z CNG
AN - BAJAJ Maxima C CNG

PART INDEX

4Stroke- BS4
(236 cc)

Part No.	Page No.	Figure No.	Part No.	Page No.	Figure No.
AF121027	89	6	AF201010	89	19
AF121028	89	7	AF201036	82	13
AF121029	89	9	AF201067	86	14
AF121030	89	10	AF201067	87	1
AF121032	89	12	AF201094	81	8
AF121034	89	13	AF221005	70	33
AF121036	89	15	AF221011	72	35
AF121039	90	28	AF221011	74	31
AF121040	90	29	AF221022	70	32
AF121043	89	16	AK201012	82	8
AF121044	89	17	AL131055	15	7
AF121045	89	18	AL131058	15	6
AF121046	89	20	AL151004	41	5
AF121057	88	4	AL151005	41	17
AF121058	88	5	AL151007	41	16
AF121070	92	15	AL151008	41	6
AF121085	88	8	AL151011	41	13
AF121104	89	21	AL151012	41	10
AF121104	92	26	AL151017	38	14
AF121105	89	22	AL151019	38	18
AF121106	90	23	AL151052	44	31
AF121106	92	21	AL151053	44	34
AF121107	90	24	AL151054	44	24
AF121108	90	25	AL151089	41	8
AF121126	89	14	AL151194	45	13
AF121127	90	27	AL151205	46	22
AF121133	25	6	AL151211	45	14
AF121316	87	3	AL151231	46	21
AF121323	87	4	AL151235	46	24
AF121327	87	2	AL151236	45	1
AF121505	26	1	AL151237	45	3
AF141055	94	4	AL151238	45	2
AF141061	94	5	AL151242	38	7
AF141062	94	6	AL151242	41	2
AF201001	82	3	AL151243	41	4

RA - BAJAJ Maxima Z LPG
AZ - BAJAJ Maxima Z CNG
AN - BAJAJ Maxima C CNG

PART INDEX

4Stroke- BS4
(236 cc)

Part No.	Page No.	Figure No.
AL151246	38	15
AL151249	38	1
AL151252	38	16
AL151252	42	22
AL151254	38	11
AL151266	45	10
AL161069	59	3
AL161152	80	19
AL161184	65	11
AL161185	65	14
AL161186	65	12
AL161226	73	22
AL161229	73	23
AL161236	68	7
AL161377	73	19
AL161381	65	9
AL161382	65	2
AL161390	65	3
AL161392	58	3
AL161502	63	10
AL161503	63	9
AL161509	69	4
AL171017	36	5
AL171045	39	2
AL171051	39	14
AL171053	45	12
AL171058	39	16
AL171066	38	13
AL171066	42	20
AL171081	39	11
AL171091	39	8
AL171093	39	7
AL171095	39	9
AL171104	39	13
AL171138	36	12

Part No.	Page No.	Figure No.
AL171139	39	1
AL171150	36	14
AL171158	36	3
AL181005	40	7
AL181006	40	2
AL191028	65	6
AL201012	82	10
AL201012	82	16
AL201031	81	7
AL201034	29	2
AL201034	30	2
AL201039	81	9
AL201060	81	1
AL201062	81	3
AL201070	56	22
AL201100	64	23
AL201100	66	26
AL201119	79	1
AL201120	79	2
AL241023	67	4
AL241277	73	3
AL241278	73	4
AL241395	72	23
AL241767	74	27
AM101051	22	1
AM101052	22	2
AM121077	26	12
AM121091	92	23
AM161020	70	31
AM201116	81	2
AN101062	4	11
AN101113	16	14
AN101113	33	22
AN101127	3	1
AN101129	3	11

RA - BAJAJ Maxima Z LPG
AZ - BAJAJ Maxima Z CNG
AN - BAJAJ Maxima C CNG

PART INDEX

4Stroke- BS4
(236 cc)

Part No.	Page No.	Figure No.
AN101135	8	7
AN101147	10	13
AN101155	12	13
AN101166	11	10
AN101177	9	3
AN101182	11	8
AN101186	5	19
AN101188	16	12
AN101189	5	13
AN101190	16	9
AN101198	13	10
AN101200	13	11
AN101203	2	7
AN101238	4	15
AN101250	11	12
AN101257	11	11
AN101312	7	12
AN101323	11	3
AN101334	32	6
AN101339	14	10
AN101347	14	12
AN101361	17	13
AN101376	5	7
AN101379	14	1
AN101406	15	2
AN101407	34	1
AN101420	5	2
AN101432	18	1
AN101434	15	3
AN101435	15	4
AN101436	15	9
AN101437	14	8
AN101438	15	1
AN101448	27	4
AN101448	28	4a

RA - BAJAJ Maxima Z LPG
AZ - BAJAJ Maxima Z CNG
AN - BAJAJ Maxima C CNG

Part No.	Page No.	Figure No.
AN101452	22	1
AN101453	22	2
AN101488	17	1
AN101489	17	14
AN101498	7	23
AN101503	9	24
AN111047	21	9
AN121242	31	14
AN131007	7	13
AN131007	9	7
AN131018	15	8
AN131022	7	20
AN131026	18	8
AN141041	84	18
AN160912	24	2
AN161086	65	4
AN161220	65	1
AN161263	24	1
AN161302	24	1
AN161316	82	12
AN161334	24	2
AN191056	57	3
AN191061	57	8
AN191062	57	4
AN201012	82	2
AP101210	21	4
AP101257	12	16
AP111023	19	12
AP121074	7	24
AP151002	41	5
AP151017	43	4
AP151031	43	7a
AP161047	55	20
AP201037	82	1
AP201058	81	10

PART INDEX

4Stroke- BS4
(236 cc)

Part No.	Page No.	Figure No.	Part No.	Page No.	Figure No.
AS230005	70	36	AT172056	30	13
AT111042	82	14	AT172062	30	7
AT111083	59	12	AT172068	30	5
AT111105	54	4	AT172072	86	7
AT111137	80	17	AT172073	86	21
AT111138	80	18	AT172073	94	2
AT111218	54	3	AT172073	94	2
AT131401	60	3	AT172080	85	8
AT131406	60	5	AT172081	85	9
AT131407	60	2	AT172082	85	11
AT131416	60	4	AT172082	85	11
AT131800	52	1	AT172083	85	12
AT131802	52	3	AT172086	91	1
AT131807	52	8	AT172088	91	1
AT131810	52	4	AT172090	85	2
AT131817	52	10	AT172091	85	1
AT131818	52	11	AT172092	85	3
AT131819	52	12	AT172092	85	3
AT131820	52	14	AT172093	91	14
AT151000	59	2	AT172093	91	14
AT161005	53	10	AT172094	93	2
AT161209	59	17	AT172097	93	9
AT161210	57	2	AT172098	93	10
AT161211	57	1	AT172098	93	10
AT161212	57	9	AT172099	85	10
AT171013	30	1	AT172099	85	10
AT172022	94	4a	AT172102	86	16
AT172037	86	8	AT184601	68	17
AT172044	86	13	AT184602	68	18
AT172045	86	12	AT186001	78	8
AT172050	86	1	AT186003	78	16
AT172051	86	22	AT191009	76	1
AT172051	94	3	AT191012	76	8
AT172052	86	5	AT191012	76	8
AT172053	86	6	AT191016	76	7
			AT191020	76	10
			AT191022	76	12
			AT191024	76	11
			AT191025	76	2
			AT191027	76	3
			AT211371	78	1
			AT231001	74	28

RA - BAJAJ Maxima Z LPG
AZ - BAJAJ Maxima Z CNG
AN - BAJAJ Maxima C CNG

PART INDEX

4Stroke- BS4
(236 cc)

Part No.	Page No.	Figure No.	Part No.	Page No.	Figure No.
AT351201	21	10	AZ111109	54	3
AT351202	82	18	AZ111112	54	4
AT351203	82	17	AZ113415	23	1
AT402006	82	13	AZ122005	35	3
AT402210	61	1	AZ122005	36	10
AT402211	61	2	AZ122007	35	4
At402212	61	5	AZ122008	35	8
AT402214	61	3	AZ122009	35	9
AT402218	61	1	AZ122016	35	6
AT402219	61	2	AZ131004	37	13
AT402221	61	1	AZ131005	60	2
AT402223	61	1	AZ131403	60	10
AT402225	61	2	AZ131404	60	4
AT402409	65	5	AZ131415	60	3
AT501005	2	4	AZ131416	60	11
AT501006	2	3	AZ131803	51	1
AT581048	28	1	AZ131805	51	10
AT581051	28	14	AZ131806	51	4
AT581054	31	6	AZ131807	51	3
AT581057	28	13	AZ131808	51	15
AT581059	28	21	AZ131809	48	1
AT581061	28	14	AZ131815	51	13
AT581062	28	4	AZ131816	51	14
AT581064	28	21	AZ141221	34	1
AT581204	25	1	AZ161003	57	1
AT581205	25	1	AZ161207	57	3
AU172002	93	1	AZ161208	57	4
AU172034	93	13	AZ161209	57	2
AU172052	93	6	AZ161213	64	22
AU172066	93	8	AZ161220	57	12
AU172074	93	7	AZ161221	57	8
AU541007	4	1	AZ161222	57	9
AU541012	21	19	AZ171006	29	4
AY191010	75	10	AZ171006	30	3
AZ111072	84	14	AZ171009	29	3

RA - BAJAJ Maxima Z LPG
AZ - BAJAJ Maxima Z CNG
AN - BAJAJ Maxima C CNG

PART INDEX

4Stroke- BS4
(236 cc)

Part No.	Page No.	Figure No.	Part No.	Page No.	Figure No.
AZ171803	30	6	AZ182401	69	16
AZ171811	29	13	AZ182402	69	15
AZ171811	30	12	AZ182403	69	10
AZ171819	29	7	AZ185001	27	15
AZ171820	29	11	AZ185002	27	17
AZ171821	29	12	AZ185003	27	18
AZ171821	30	11	AZ185010	68	1
AZ171822	29	6	AZ186001	77	8
AZ171827	29	14	AZ191004	75	1
AZ171839	29	1	AZ191014	75	2
AZ171840	26	15	AZ191015	75	2
AZ172008	91	14	AZ211093	77	1
AZ172034	84	1	AZ231005	69	11
AZ172036	84	2	AZ232603	58	2
AZ172036	86	11	AZ233008	68	2a
AZ172036	90	26	AZ233009	68	2
AZ172037	84	6	AZ233012	70	28
AZ172040	84	13	AZ233013	70	27
AZ172049	84	10	AZ233014	70	29
AZ172055	84	11	AZ233015	70	30
AZ172056	84	17	AZ241029	72	33
AZ172056	94	1	AZ241031	72	34
AZ172057	94	7	AZ241039	72	24
AZ172074	83	12	AZ241401	72	22
AZ172074	84	4	AZ241402	72	21
AZ172074	85	18	AZ242002	72	26
AZ172074	86	19	AZ242003	72	27
AZ172076	91	1	AZ242004	72	25
AZ172081	84	3	AZ244017	71	2
AZ181004	72	29	az244026	71	16
AZ181005	72	32	AZ247000	71	10
AZ181006	72	30	AZ351209	21	9
AZ181007	72	31	AZ351216	82	18
AZ181204	70	23	AZ401001	80	1
AZ181401	69	13	AZ401002	80	1a

RA - BAJAJ Maxima Z LPG
AZ - BAJAJ Maxima Z CNG
AN - BAJAJ Maxima C CNG

PART INDEX

4Stroke- BS4
(236 cc)

Part No.	Page No.	Figure No.	Part No.	Page No.	Figure No.
AZ401400	81	5	AZ571212	32	3
AZ402216	61	1	AZ571213	32	4
AZ402218	61	3	AZ571214	32	12
AZ402232	61	2	AZ571215	32	13
AZ402403	63	12	AZ571218	32	8
AZ402600	64	18	AZ571219	32	12
AZ501007	2	2	AZ571220	32	13
AZ511002	9	1	Az571226	32	1
AZ511010	9	14	AZ571227	32	8
AZ511201	10	1	AZ571230	24	19
AZ511202	10	2	AZ571230	32	15a
AZ511204	11	1	AZ581009	26	11
AZ511207	10	8	AZ581018	27	10
AZ511208	10	9	AZ581018	28	10
AZ521000	8	2	AZ581024	27	5
AZ521003	9	12	AZ581032	27	22
AZ521200	8	3	AZ581034	27	1
AZ531000	12	1	AZ581039	26	12
AZ541202	5	1	AZ581047	5	20
AZ551001	5	6	AZ581047	26	18
AZ551003	13	1	AZ581075	27	14
AZ551202	12	2	AZ581076	27	3
AZ551210	14	11	AZ581220	25	8
AZ551211	14	2	AZ581224	25	1
AZ551212	14	3	AZ581409	9	9
AZ551213	14	4	AZ581417	9	9
AZ551602	15	1	AZ582200	31	2
AZ551603	14	8	AZ582400	31	6
AZ551604	15	9	AZ582405	10	17
AZ552604	18	8	AZ591064	22	4
AZ571200	32	2	AZ601403	21	7
AZ571202	24	19	AZ601405	2	8
AZ571202	32	15	AZ601408	2	12
AZ571209	16	11	AZ601409	2	13
Az571211	32	1	AZ601410	2	6

RA - BAJAJ Maxima Z LPG
AZ - BAJAJ Maxima Z CNG
AN - BAJAJ Maxima C CNG

PART INDEX

4Stroke- BS4
(236 cc)

Part No.	Page No.	Figure No.
AZ601413	2	5
AZ601414	2	14
AZ601421	21	6
BA102004	5	16
BA132045	13	6
BA132141	19	2
BA171007	35	11
BA171007	36	15
BA171008	35	10
BA201001	54	1
BB103419	28	3
BB121107	28	8
BB121108	28	12
BB133066	38	9
BB151026	48	6
BB151030	38	2
BB151031	38	4
BB151034	38	3
BB151052	56	36
BB151062	45	8
BB151063	45	9
BB151064	45	7
BB151073	48	5
BB151075	50	1
BB151091	48	1
BB161048	59	15
BB161096	68	4
BB161097	68	5
BB161101	65	20
BB161130	65	8
BB161171	73	8
BB161204	73	11
BB161244	69	18
BB161245	69	19
BB161296	54	5a

Part No.	Page No.	Figure No.
BB171036	35	13
BB171036	36	19
BB171038	36	13
BB171051	36	1
BB171052	36	2
BB171055	36	7
BB171056	36	8
BB181012	40	1
BB181034	40	10
BB181035	40	9
BB181036	40	8
BB181037	40	4
BB181039	40	5
BB181040	40	3
BB191033	52	16
BB191053	57	12
BB201070	79	6
BB201078	79	1
BB201079	79	2
BB201104	80	2
BB201105	80	2a
BB201109	80	15
BB201110	80	16
BB211010	76	3
BB221004	69	8
BB221015	47	11
BB221017	68	16
BB221018	68	15
BB231369	73	15
BB231370	73	16
BB231451	73	18
BB231658	74	30
BB231659	74	29
BF122056	36	16
BF131428	37	16

RA - BAJAJ Maxima Z LPG
AZ - BAJAJ Maxima Z CNG
AN - BAJAJ Maxima C CNG

PART INDEX

4Stroke- BS4
(236 cc)

Part No.	Page No.	Figure No.
BF131707	34	14
BF131707	37	11
BF131707	38	8
BF131710	42	19
BF131722	37	4
BF131723	37	3
BF131904	45	20
BF131905	46	23
BF161137	51	7
BF161138	51	9
BF161175	51	8
BF161283	52	18
BF161296	53	14
BF172103	83	11
BF172103	85	19
BF172103	86	18
BF172111	83	8
BF172111	85	17
BF172117	83	13
BF172126	29	19
BF172126	86	17
BF185019	47	6
BF241152	69	17
BF247003	54	6
BF521217	8	6
BF551613	4	10
BF551613	7	5
BG113804	48	7
BG581006	26	14
BH111056	40	15
BH111071	67	18
BH111092	81	13
BH113411	24	3
BH121002	40	16
BH121004	39	1

RA - BAJAJ Maxima Z LPG
AZ - BAJAJ Maxima Z CNG
AN - BAJAJ Maxima C CNG

Part No.	Page No.	Figure No.
BH121005	39	2
BH122028	35	5
BH122028	36	9
BH122039	35	2
BH122040	35	1
BH131006	43	1
BH131009	37	15
BH131010	37	14
BH131011	43	7
BH131019	60	1
BH131021	41	3
BH131023	37	10
BH131023	41	1
BH131024	41	17
BH131206	37	12
BH131206	38	17
BH131212	43	3
BH131213	43	2
BH131217	37	1
BH131220	37	2
BH131600	41	6
BH131803	49	12
BH131804	48	6
BH131813	43	12
BH131814	43	13
BH131817	47	5
BH151007	40	2
BH151008	40	7
BH151009	40	6
BH151062	40	1
BH151065	40	14
BH151066	56	29
BH151085	40	3
BH151086	40	4
BH151087	40	5

PART INDEX

4Stroke- BS4
(236 cc)

Part No.	Page No.	Figure No.
BH161017	50	9
BH161019	50	1
BH161027	50	3
BH181402	69	12
BH181405	69	20
BH181406	69	21
BH184000	67	2
BH185001	28	15
BH185002	28	17
BH185003	28	18
BH191019	75	3
BH191032	75	8
BH191032	76	4
BH191061	75	9
BH191077	75	14
BH211051	71	14
BH211057	71	17
BH211077	58	4
BH211158	71	7
BH211163	71	6
BH211165	71	5
BH211201	70	24
BH241800	71	12
BH401016	80	9
BH551409	34	5
BH551420	34	3
BH551421	34	4
BH551800	15	11
BH551800	34	2
BH581010	27	6
BH581010	27	9
BH581010	28	6
BH581010	28	9
BH581024	27	8
BH581025	27	12

Part No.	Page No.	Figure No.
CE181015	63	2
CE181015	65	19
CL2010 23	79	3
CM101129	22	18
CM191049	55	17
CM201054	63	13
CS141005	29	5
CS141005	30	4
CX141044	88	12
CX141045	88	13
CX141046	88	9
DD101062	11	15
DD121013	29	10
DD121013	30	10
DG101263	27	2
DG101263	28	2
DG121002	91	5
DG121040	31	15
DG141019	31	4
DG201084	82	9
DH101141	5	5
DH101180	5	9
DH101275	5	11
DH101661	3	12
DH101795	17	12
DK101064	11	9
DK101091	8	6
DK101097	12	11
DK101237	16	16
DK101237	33	21
DK101277	32	17
DK101278	33	18
DK101340	32	14
DK101449	6	31
DK101472	6	28

RA - BAJAJ Maxima Z LPG
AZ - BAJAJ Maxima Z CNG
AN - BAJAJ Maxima C CNG

PART INDEX

4Stroke- BS4
(236 cc)

Part No.	Page No.	Figure No.
DL191020	63	14
DP101153	30	15
DP101154	3	9
DS101276	11	7
DS101277	11	13
DS161125	47	4
DS161224	31	12
DU101068	10	19
DU101223	3	12
DX101074	10	14
EC131821	48	9
EC131835	48	8
EC541004	16	10
GF101139	2	10
GF161156	70	25
GH201012	80	4
JA541019	16	5
JA541020	16	7
JA581221	25	13
JA581223	25	22
JC101086	11	4
JD401032	79	11
JD401032	80	21
JE581416	9	22
JE582602	31	17
JE582603	31	16
JE582604	31	13
JE591002	22	9
JF581209	25	5
JF581209	26	9
JG581015	27	16
JG581015	28	16
JH511207	10	10
JL403000	82	23
JL511227	10	11

RA - BAJAJ Maxima Z LPG
AZ - BAJAJ Maxima Z CNG
AN - BAJAJ Maxima C CNG

Part No.	Page No.	Figure No.
JN351604	82	20
JS172015	91	2
JS172019	92	27
JS172020	92	19
JS172023	91	8
JS172026	92	22
JS172027	91	9
JS172028	91	14
JS172031	92	23
JS172033	92	25
JS172035	91	6
JS172036	91	3
JU521212	8	5
JU581006	26	10
KAAA0514	47	7
KAAA0514	74	24
KAAA0516	67	15
KAAA0525	67	12
KAAA0618	59	18
KAAA0825	77	2
KAAA0825	78	2
KAAD0520	56	34
KAAD0525	17	9
KAAD0525	56	34
KAAD0618	78	5
KACA0614	10	18
KACC0835	20	2
KACH0835	20	2
KADA0510	73	14
KADA0512	18	15
KADA0612	67	20
KADA0612	80	7
KADA0616	85	15
KADA0635	60	6
KADA0814	80	20

PART INDEX

4Stroke- BS4
(236 cc)

Part No.	Page No.	Figure No.	Part No.	Page No.	Figure No.
KADA0816	75	11	KBBA0525	64	30
KADA1020	59	6	KBCA0614	37	9
KADD0530	19	14	KBCA0614	42	21
KADD0612	22	7	KBCD0430	65	7
KADD0612	28	20	KBRA4219	80	12
KADD0612	32	16	KBRA4819	31	18
KADD0612	69	9	KBRA4819	77	11
KADD0614	84	15	KBRA4819	78	11
KADD0630	60	6	KBRC3516	79	18
KADD0812	83	15	KBRC3519	79	15
KADD0814	85	4	KBUA0510	59	21
KADD1020	84	12	KBUA0612	70	34
KADD1020	85	6	KBUA0614	59	13
KADD1020	86	4	KBUA0614	74	36
KADD1030	48	4	KBUA0620	77	5
KADD1030	49	11	KBUC0410	56	21
KADD1030	50	7	KBUC0516	69	3
KADE0612	27	7	KBUC0614	71	20
KADE0612	28	7	KBUC0620	72	28
KADE0620	27	19	KCAA0504	47	10
KADF0612	28	20	KCAD1008	35	16
KADF0616	71	15	KCAD1008	36	17
KADF0618	73	21	KCBA0503	85	13
KADF0620	28	19	KCBD1006	35	15
KADF0816	71	11	KCBD1006	36	18
KADF0816	76	15	KCGA0505	67	14
KADS0510	81	12	KCGA0505	70	22
KAEA0612	9	25	KCGA0505	74	26
KAEA0612	32	11	KCGA0505	75	7
KAED0614	4	17	KCGA0505	76	5
KAED0618	27	20	KCGA0606	25	4
KAED0620	31	3	KCGA0606	29	15
KAED0622	9	11	KCGA0606	30	14
KBAA0514	66	24	KCGA0606	54	5
KBAC0614	58	8	KCGA0606	70	35

RA - BAJAJ Maxima Z LPG
AZ - BAJAJ Maxima Z CNG
AN - BAJAJ Maxima C CNG

PART INDEX

4Stroke- BS4
(236 cc)

Part No.	Page No.	Figure No.	Part No.	Page No.	Figure No.
KCGA0606	75	6	KDBA0818	29	16
KCGA0606	83	6	KDBA1632	38	12
KCGA0606	84	5	KDBB0512	64	29
KCGA0606	85	16	KDBB0818	59	14
KCGA0606	86	20	KDBB0818	71	3
KCGA0808	51	11	KDBB1022	59	7
KCGA0808	75	5	KDBB1022	74	37
KCGA0808	81	15	KDBB1022	77	3
KCGA1010	52	6	KDBB1022	78	4
KCGC0606	71	4	KDBB1022	86	3
KCGD0606	29	17	KDBB1226	85	7
KCGD0606	30	16	KEAA1010	51	5
KCGD0606	80	11	KEBB4217	42	18
KCGD0606	82	7	KEBB5520	37	7
KCGD0808	22	5	KEBB6825	38	5
KCGD0808	26	17	KECA0415	71	8
KCGD0808	29	18	KHAA2018	53	5
KCGD0808	30	17	KHAA2025	51	2
KCGD0808	64	20	KHAA3225	73	6
KCGD1414	52	5	KHAA3228	60	8
KCGF0505	73	17	KHAE2012	54	7
KCGF0606	76	9	KHAE3220	84	8
KCHA1417	35	7	KHAE3220	86	10
KCHA1417	36	4	KHBB0828	60	9
KCKA0609	70	26	KHDA0306	11	5
KCKA0811	24	11	KJAA2024	41	7
KCKA0811	77	4	KJAA3035	38	10
KCKA0811	78	3	KJAC1824	9	15
KCKA0811	23	5	KPBB6007	7	4
KCKC0811	75	12	LAA00022	7	8
KCKC0811	76	14	LAA00033	75	13
KCLA0506	66	25	LAA00033	76	13
KDAA0408	53	7	LAC00008	67	9
KDAA1222	53	4	LAC00025	21	5
KDAB0816	84	16	LAC00026	19	7

RA - BAJAJ Maxima Z LPG
AZ - BAJAJ Maxima Z CNG
AN - BAJAJ Maxima C CNG

PART INDEX

4Stroke- BS4
(236 cc)

Part No.	Page No.	Figure No.
LAC00035	37	8
LAC00044	38	6
LAD00015	24	20
LAD00017	19	15
LAD00035	7	9
LAD00062	3	4
LAD00062	9	21
LAD00064	71	13
LAD00068	22	13
LAD00124	12	10
LAD00136	50	10
LAD00164	23	16
LAD00164	24	13
LAD00178	60	7
LAD00188	60	7
LAD00216	24	16
LAE00019	33	19
LAE00045	22	11
LAG00008	22	14
LAG00011	59	5
LAH00001	21	8
LAJ00001	7	10
LAJ00016	9	2
LBC00004	5	14
LBU00047	66	22
LBU00051	66	23
LBU00063	56	21
LCG00017	23	18
LCG00017	24	15
LCL00001	83	4
LCL00001	84	9
LCL00001	85	5
LCL00001	86	2
LCL00002	52	17
LDA00002	51	6

Part No.	Page No.	Figure No.
LDA00028	22	10
LDA00032	51	12
LDB00047	12	9
LDB00049	23	17
LDB00049	24	14
LHC00001	55	19
LHE00001	84	7
LHE00002	86	9
LHE00004	60	10
LHE00005	73	7
LJA00003	25	3
LJA00025	39	12
PA111250	31	5
PD582200	31	1
RA171800	83	18
RA172019	92	24
RA172022	83	10
RA172031	83	16
RA172031	88	6
RA172032	83	19
RA172032	88	1
RA172041	83	17
RA172041	85	14
RA172042	83	9
RA172047	83	5
RA172050	83	3
RA172051	83	2
RA172052	83	1
RA172057	83	14
RA172057	93	2
RA172059	93	10
RA172063	83	7
RA172075	91	1
RA351204	21	10
RA351207	82	17

RA - BAJAJ Maxima Z LPG
AZ - BAJAJ Maxima Z CNG
AN - BAJAJ Maxima C CNG

PART INDEX

4Stroke- BS4
(236 cc)

Part No.	Page No.	Figure No.
RA401400	81	4
RA402212	61	1
RA402222	61	2
RA402602	64	17
RA402603	93	9
RA501006	2	1
RA521200	8	3
RA581012	26	8
RA581015	26	8
RC113801	26	7

RA - BAJAJ Maxima Z LPG
AZ - BAJAJ Maxima Z CNG
AN - BAJAJ Maxima C CNG

PART INDEX

4Stroke- BS4
(236 cc)

Part No.	Page No.	Figure No.

Part No.	Page No.	Figure No.

RA - BAJAJ Maxima Z LPG
AZ - BAJAJ Maxima Z CNG
AN - BAJAJ Maxima C CNG

PART INDEX

4Stroke- BS4
(236 cc)

Part No.	Page No.	Figure No.

Part No.	Page No.	Figure No.

RA - BAJAJ Maxima Z LPG
AZ - BAJAJ Maxima Z CNG
AN - BAJAJ Maxima C CNG

PART INDEX

4Stroke- BS4
(236 cc)

Part No.	Page No.	Figure No.

Part No.	Page No.	Figure No.

RA - BAJAJ Maxima Z LPG
AZ - BAJAJ Maxima Z CNG
AN - BAJAJ Maxima C CNG

PART INDEX

4Stroke- BS4
(236 cc)

Part No.	Page No.	Figure No.

Part No.	Page No.	Figure No.

RA - BAJAJ Maxima Z LPG
AZ - BAJAJ Maxima Z CNG
AN - BAJAJ Maxima C CNG

PART INDEX

4Stroke- BS4
(236 cc)

Part No.	Page No.	Figure No.

Part No.	Page No.	Figure No.

RA - BAJAJ Maxima Z LPG
AZ - BAJAJ Maxima Z CNG
AN - BAJAJ Maxima C CNG

PART INDEX

4Stroke- BS4
(236 cc)

Part No.	Page No.	Figure No.

Part No.	Page No.	Figure No.

RA - BAJAJ Maxima Z LPG
AZ - BAJAJ Maxima Z CNG
AN - BAJAJ Maxima C CNG